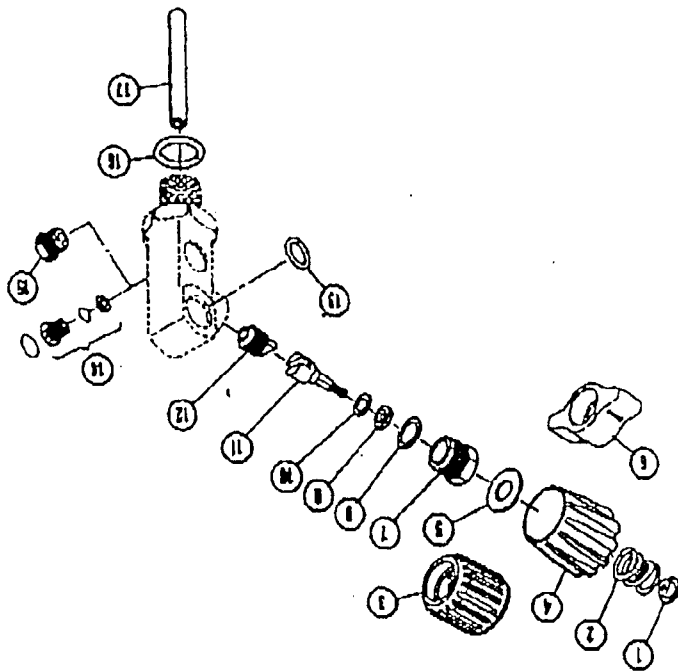


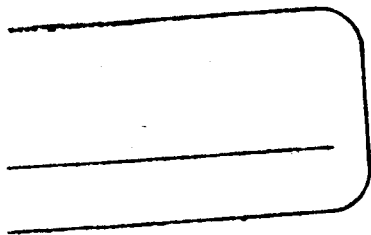
Cylinder Valve Replacement Parts

Type "A" Replacement Parts

Sherwood Yoke-Style Valves
 Note: To reference older model valves which also use Type "A", please refer to your Sherwood Cylinder Valves Assembly and Maintenance Guide.

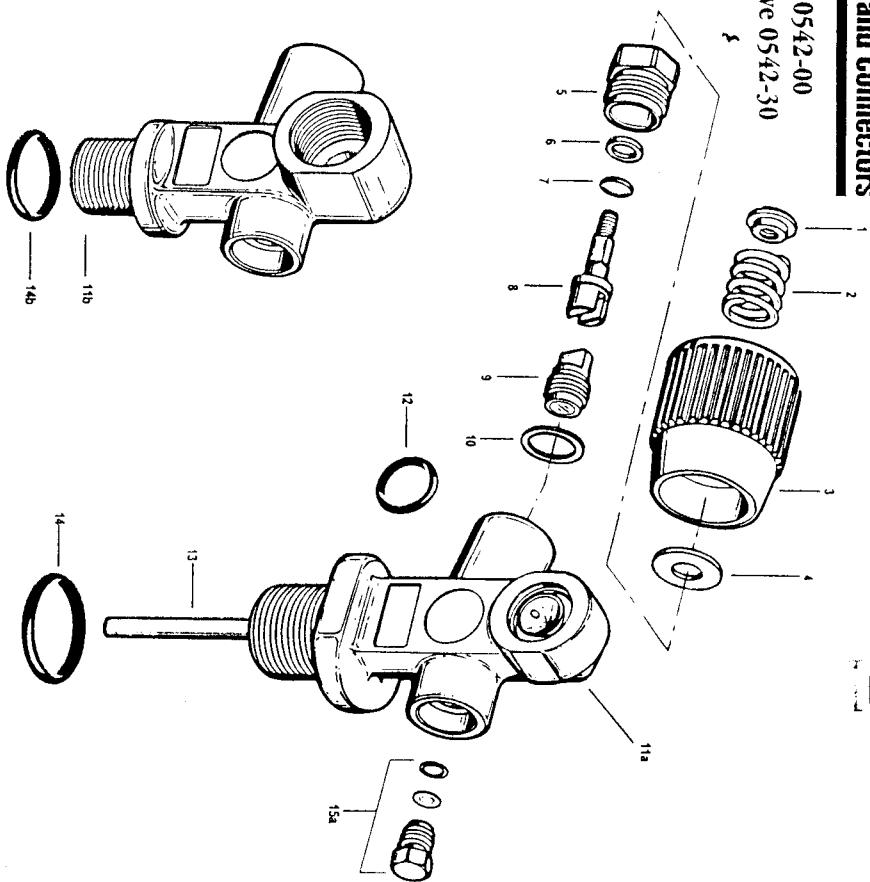


| Item | Part Number | Description |
|------|-------------|--|
| 1 | 1-3506-8 | Stem nut |
| 2 | 3506-11A | Spring |
| 3 | 1389-2D | Handwheel (short, round style) |
| 4 | 400-2 | Handwheel (long, raised ribs) |
| 5 | 1413 | Washer |
| 6 | 6521S | Handwheel (wing nut style) |
| 7 | 3056-14 | Bonnet nut |
| 8 | 3506-10 | Copper gasket |
| 9 | 3506-7 | Thick Teflon ring (new style seal) |
| 10 | 3506-18 | Thin Teflon ring (new style seal) |
| 11 | 9-3506-12 | Stem |
| 12 | 3506-9 | Plug assembly |
| 13 | G014L | O-ring (outlet) |
| 14 | — | Safety (see Valve Burst Disc Assembly section) |
| 15 | — | Safety (see Valve Burst Disc Assembly section) |
| 16 | G214A | O-ring (tank) |
| 17 | 25-6530 | Dip tube |
| — | 3506-20 | Overhaul kit for valve stem/plug assembly - contains enough material for 10 valves |



Valves and Connectors

K-Valve 0542-00
DIN Valve 0542-30



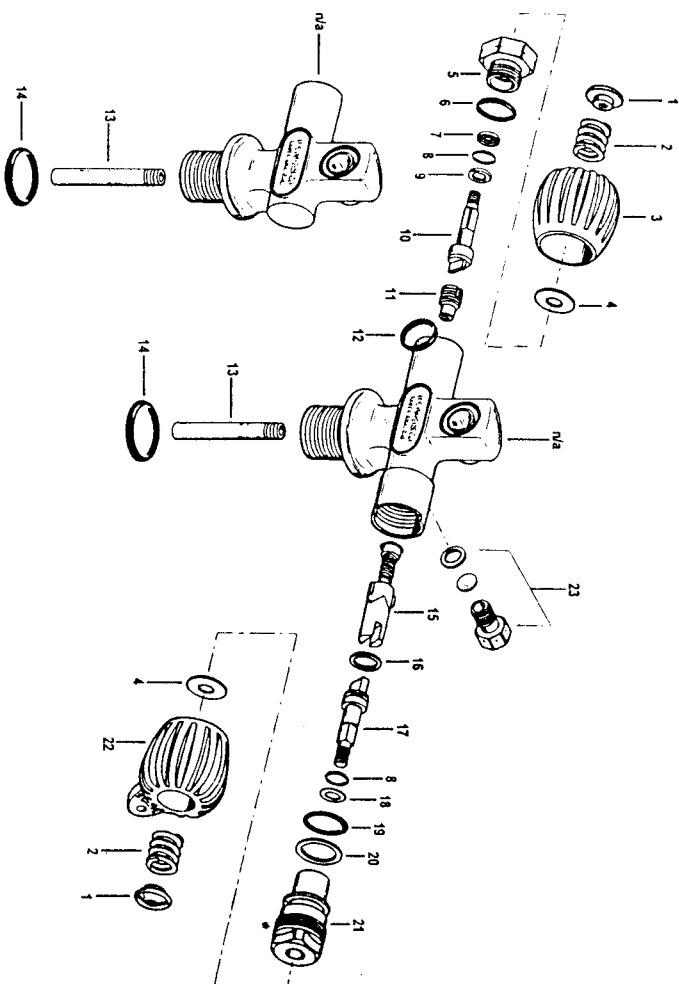
Key # Part # Description

| | | |
|-----|---------|---------------------------------------|
| 1 | 0542-07 | Nut, Handwheel Retaining |
| 2 | 0542-09 | Spring, Handwheel |
| 3 | 0542-06 | Handwheel |
| 4 | 0542-12 | Washer |
| 5 | 0542-04 | Bonnet |
| 6 | 0542-05 | Packing |
| 7 | 8200-10 | O-ring, Stem |
| 8 | 0542-08 | Stem |
| 9 | 0542-03 | Seat Assembly |
| 10 | 0542-16 | Gasket, Bonnet |
| 11a | N/A | Body, K-Valve |
| 11b | N/A | Body, DIN Valve |
| 12 | 8200-41 | O-ring, Outlet |
| 13 | 8202-15 | Dip Tube |
| 14b | 0541-14 | O-ring, K-Valve |
| 15 | 0542-01 | Safety Plug Kit, 3,000 psi (Aluminum) |
| | 0542-21 | Safety Plug Kit, 3,500 psi (HP Steel) |
| | 0542-21 | Safety Plug Kit, 2,400 psi (LP Steel) |
| n/s | 0542-17 | Safety Plug Kit, 2,250 psi (LP Steel) |
| | 0542-29 | Dust Cap, K-Valve |

Part numbers in **BOLD ITALICS** indicate standard overhaul replacement part.

Valves and Connectors

J-Valve 0545-00
K-Valve 0540-00



Key # Part # Description

| | | |
|----|---------|---|
| 1 | 0525-18 | Nut, Handle Retaining (2 req. on J-Valve) |
| 2 | 0501-07 | Spring (2 req. on J-Valve) |
| 3 | 0525-41 | Handwheel |
| 4 | 8450-58 | Washer (2 req. on J-Valve) |
| 5 | 0502-33 | Bonnet, Left Handed Thread |
| 6 | 0502-16 | Bonnet, Right Handed Thread |
| 7 | 9570-07 | O-ring |
| 8 | 8200-10 | Back-up ring |
| 9 | 9210-19 | O-ring |
| 10 | 0525-21 | Thrust Washer |
| 11 | 0525-19 | Stem, K-Valve |
| 11 | 0501-09 | Seat, J-Valve |
| 12 | 8201-20 | Seat, K-Valve |
| 13 | 0518-21 | O-ring |
| 14 | 8202-14 | Dip Tube |
| 15 | 0525-08 | O-ring (2 required) |
| | 0525-48 | Reserve Assembly |
| | 0525-48 | Reserve Assembly, Red (SEE NOTE) |

Part numbers in **BOLD ITALICS** indicate standard overhaul replacement part.

Key # Part # Description

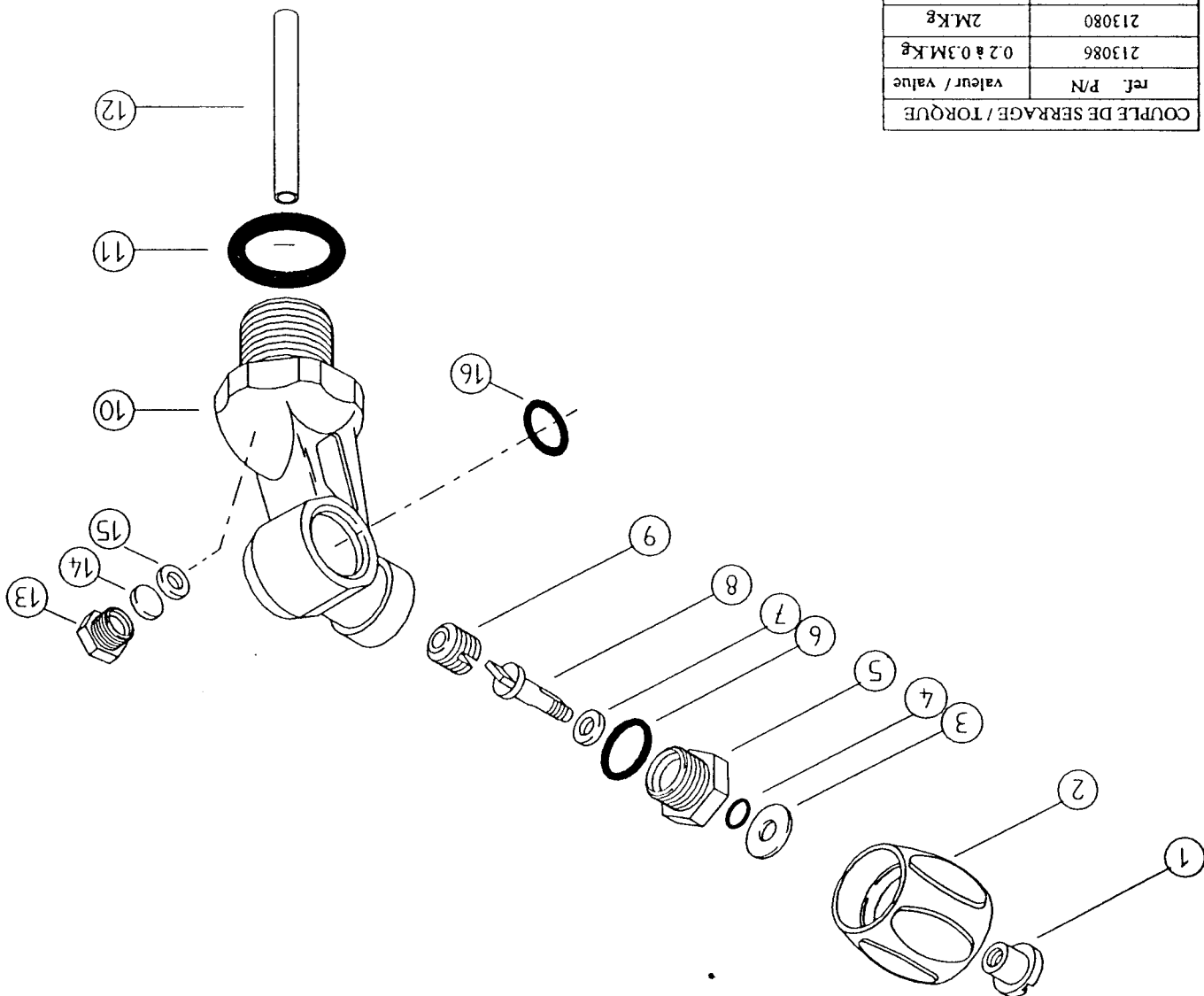
| | | |
|-----|---------|--------------------------------|
| 16 | 8450-21 | Washer |
| 17 | 0525-14 | Stem, J-Valve |
| 18 | 8210-14 | Gasket |
| 19 | 8200-15 | O-ring |
| 20 | 8200-15 | Back-up Ring |
| 21 | 0525-15 | Bonnet |
| 22 | 0535-40 | Handwheel, Reserve |
| 23 | 0502-41 | Safety Disc Assembly, 3000 psi |
| 23 | 0502-42 | Safety Disc Assembly, 2250 psi |
| n/s | 0743-05 | Reserve Pull Rod, J-Valve |

NOTE: Reserve Assembly (PN 0525-48) is to be used on valves which have "Japan" stamped on the base of the valve body. If replacement of the reserve assembly is required, do not use the 0525-08 reserve assembly in valves stamped with "Japan". The 0525-48 reserve assembly is dyed red to differentiate between the reserve assemblies.

ROBINET Z Z VALVE

| Designation | | REV | Date | REV | Date |
|-------------|--------|-----------------------|-------------------|-----|------|
| 1 | 213086 | Ecran | Locknut | | |
| | 213090 | Volant | Handwheal | | |
| | 213421 | Rondelle | Washer | | |
| 4 | 213713 | Bague | O-ring | | |
| 5 | 213080 | Palier | Bonnet | | |
| 6 | H20015 | Bague | O-ring | | |
| 7 | 213092 | Rondelle | Washer | | |
| 8 | 213082 | Tige tourn. | Stem | | |
| 9 | 213084 | Vis clapet | Seat assembly | | |
| 10 | 213065 | Corps Z | Z Body | | |
| 11 | 214119 | Bague | O-ring | | |
| 12 | 213088 | Tube Plongeur | Tube | | |
| 13 | 213645 | Vis de securité 5000R | Safety Plug 5000R | | |
| 14 | 213644 | Capsule calibre | Safety Disk | | |
| 15 | 214124 | Rondelle | Washer | | |
| 16 | 214117 | Bague 2-112 | O-ring 2-112 | | |

| ref. P/N | valeur / value |
|----------|----------------|
| 213086 | 0.2 à 0.3M.Kg |
| 213080 | 2M.Kg |
| 213645 | 1M.Kg |



ROBINET Z Z VALVE DIN

| | | | |
|-----|------|-----|------|
| REV | Date | REV | Date |
| A | | U | |
| B | | E | |
| C | | F | |
| | | G | |

| REV | Date | REV | Date | Designation |
|-----|------|-----|------|-----------------------|
| 1 | | | | Ecran 213086 |
| | | | | Volant VZ 213090 |
| | | | | Handwheel 213421 |
| | | | | Washer 213713 |
| | | | | Bague 213080 |
| | | | | Pallet H20015 |
| | | | | Bague 213092 |
| | | | | Rondelle 213082 |
| | | | | Tige tourn 213084 |
| | | | | Vis clapet 213060 |
| | | | | Seat assembly Corps Z |
| | | | | Z Body 213715 |
| | | | | Bague 213088 |
| | | | | Tube Plongeur |
| | | | | O-ring 214117 |
| | | | | Bague 213710 |
| | | | | Intermédiaire |
| | | | | adaptor |

| ref. P.N | valleur / value |
|----------|-----------------|
| 213086 | 0.240 MKg |
| 213080 | 2 MKg |

