

18.0 PARTS - HOW TO USE

18.1 PARTS 5404, 5404H AND 54044

When ordering parts, it is important to have the model number and serial number to ensure the proper parts are chosen.

The digits of the serial number will identify the block. Go to the section designated for that particular block number and use column beneath the listing for parts pertaining to that unit. If in doubt, contact MAKO.

**FOR EXAMPLE: SERIAL NUMBER 5404 XXX OR 5404 XXXX
 USE COLUMNS WITH 5404 HEADER**

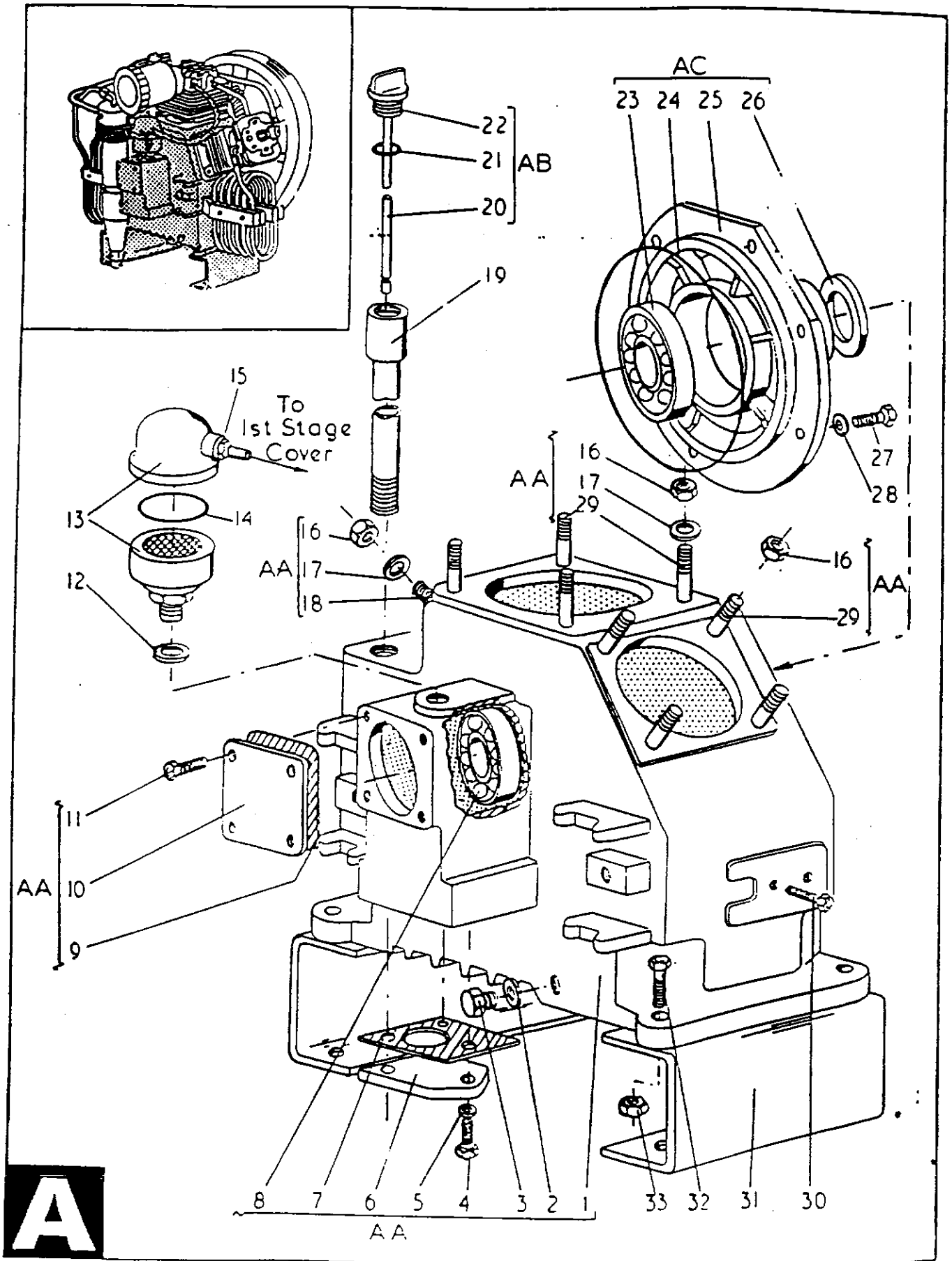
**SERIAL NUMBER 5404H XXX
USE COLUMNS WITH 5404H HEADER**

**SERIAL NUMBER 54044 XXX OR 54044 XXXX
USE COLUMNS WITH 54044 HEADER**

Standard parts are available where indicated by either a number or letters. The letters indicate that an item is available as a component of an assembly. Items indicated with an "--" are available as part of an assembly or kit only.

The right is reserved to modify the contents of this parts list without notice and the information given is in no way binding on the manufacturers.

5404 STANDARD MACHINE



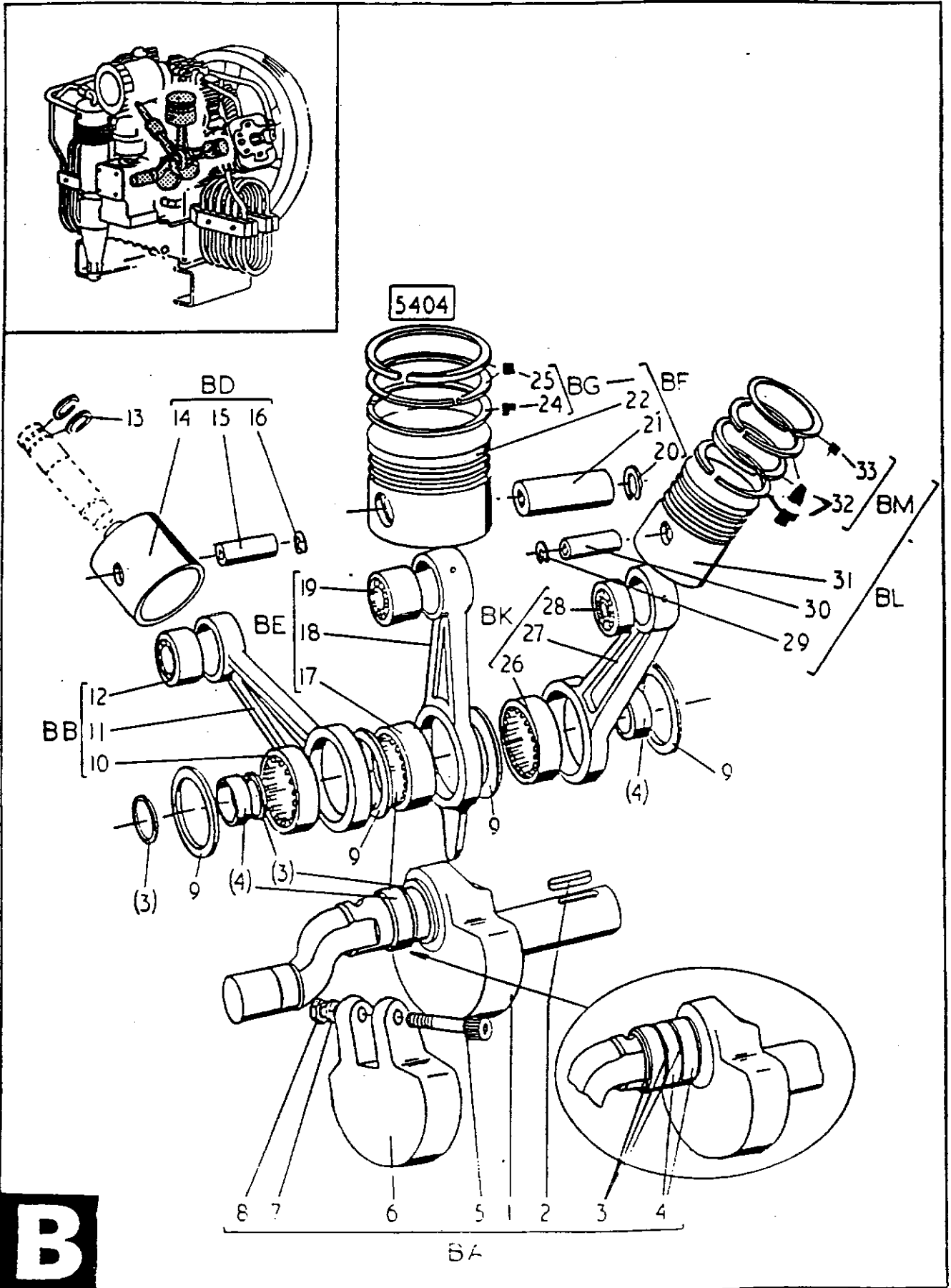
CRANKCASE

LIST "A"
CRANKCASE

ITEM NO.	DESCRIPTION	NO. PER MACHINE	ASSEMBLY REFERENCE	5404 PART NO.	5404H PART NO.	54044 PART NO.
AA	CRANKCASE ASSEMBLY	1	A1,2,3,4,5,6,7,8,9,10, A11,16,17,18,29	E60169/50	E60169/50	E60169/50
AB	DIPSTICK/OIL FILLER ASSEMBLY	1	A19,20,21,22	C200568/1	C200568/1	NOT AVAIL.
AC	BEARING HOUSING ASSEMBLY	1	A23,24,25,26	D100154/100	D100154/100	D100154/100

ITEM NO.	DESCRIPTION	NO. PER MACHINE	ASSEMBLY REFERENCE	5404 PART NO.	5404H PART NO.	54044 PART NO.
A1	CRANKCASE	1	AA	--	--	--
A2	FIBER WASHER FOR ITEM 3	1	AA & HA	95640/0007	95640/0007	95640/0007
A3	PLUG - OIL DRAIN	1	AA	PS1068/3	PS1068/3	PS1068/3
A4	SETSCREW - HEX HEAD M8x16	3	AA	95000/0254	95000/0254	95000/0254
A5	WASHER - PLAIN M8	3	AA	95148/0014	95148/0014	95148/0014
A6	COVER PLATE	1	AA	C201336	NOT USED	C201336
A7	GASKET FOR ITEM 6	1	AA & HA	98502/1017	98502/1017	98502/1017
A8	BEARING - NONDRIVE END	1	AA	98076/1018	98076/1018	98076/1018
A9	GASKET FOR ITEM 10	1	AA & HA	98502/1016	98502/1016	98502/1016
A10	END COVER - CRANKCASE	1	AA	C200563	C200563	C200563
A11	SETSCREW - HEX HEAD	4	AA	95000/0254	95000/0254	95000/0254
A12	FIBER WASHER FOR ITEM 13	1	HA	95640/0009	95640/0009	95640/0009
A13	BREATHER - CRANKCASE	1		98262/1035	98262/1035	98262/1035
A14	ORING FOR ITEM 13	1		95602/0058	95602/0058	95602/0058
A15	COUPLING - PLASTIC	1		C200658	C200658	C200658
A16	NUT (M8) FOR ITEMS 18 & 29	4	AA	95111/0005	95111/0005	95111/0005
A17	WASHER - PLAIN M8 FOR ITEMS 18 & 2	8	AB	95148/0014	95148/0014	95148/0014
A18	STUD - 3RD STAGE CYLINDER M8x70	4	AA	D100171/8/86	D100171/8/86	D100171/8/86
A19	OIL FILLER PIPE	1	AB	C200568/2	C200568/2	--
A20	DIPSTICK	1	AB	--	--	C202562
A20A	DIPSTICK FOR 9200 & 9300 MODELS	1		37-165	37-165	NOT USED
A21	ORING	1	AB & HA	95602/0040	95602/0040	95602/0040
A22	PLUG - OIL FILLER	1	AB	C200568/1	C200568/1	C200568/1
A23	BEARING - DRIVE END	1	AC	98076/1019	98076/1019	98076/1019
A24	ORING FOR ITEM 25	1	AC & HA	95602/0098	95602/0098	95602/0098
A25	BEARING HOUSING - DRIVE END	1	AC	--	--	--
A26	SEAL - CRANKSHAFT	1	AC & HA	95605/0057	95605/0057	95605/0057
A27	SETSCREW-HEXHEAD M8x20 FOR ITEM	6		95000/0257	95000/0257	95000/0257
A28	WASHER M8	6		95148/0014	95148/0014	95148/0014
A29	STUD-1ST & 2ND STG CYL M8x25	8	AA	D100171/8/41		D100171/8/41
A29	STUD-1ST & 2ND STG CYL M8x25	4	AA		D100171/8/41	
A30	SETSCREW-HEXHEAD-COOLERS M8x3	4		95000/0257	95000/0257	95000/0257
A31	BRACKET	2		C200836	C200836	C200836
A32	SETSCREW - HEX HEAD M8x25	4		95000/0256	95000/0256	95000/0256
A33	NUT (M8) FOR ITEM 32	4		95111/0005	95111/0005	95111/0005

5404 STANDARD MACHINE



RUNNING GEAR

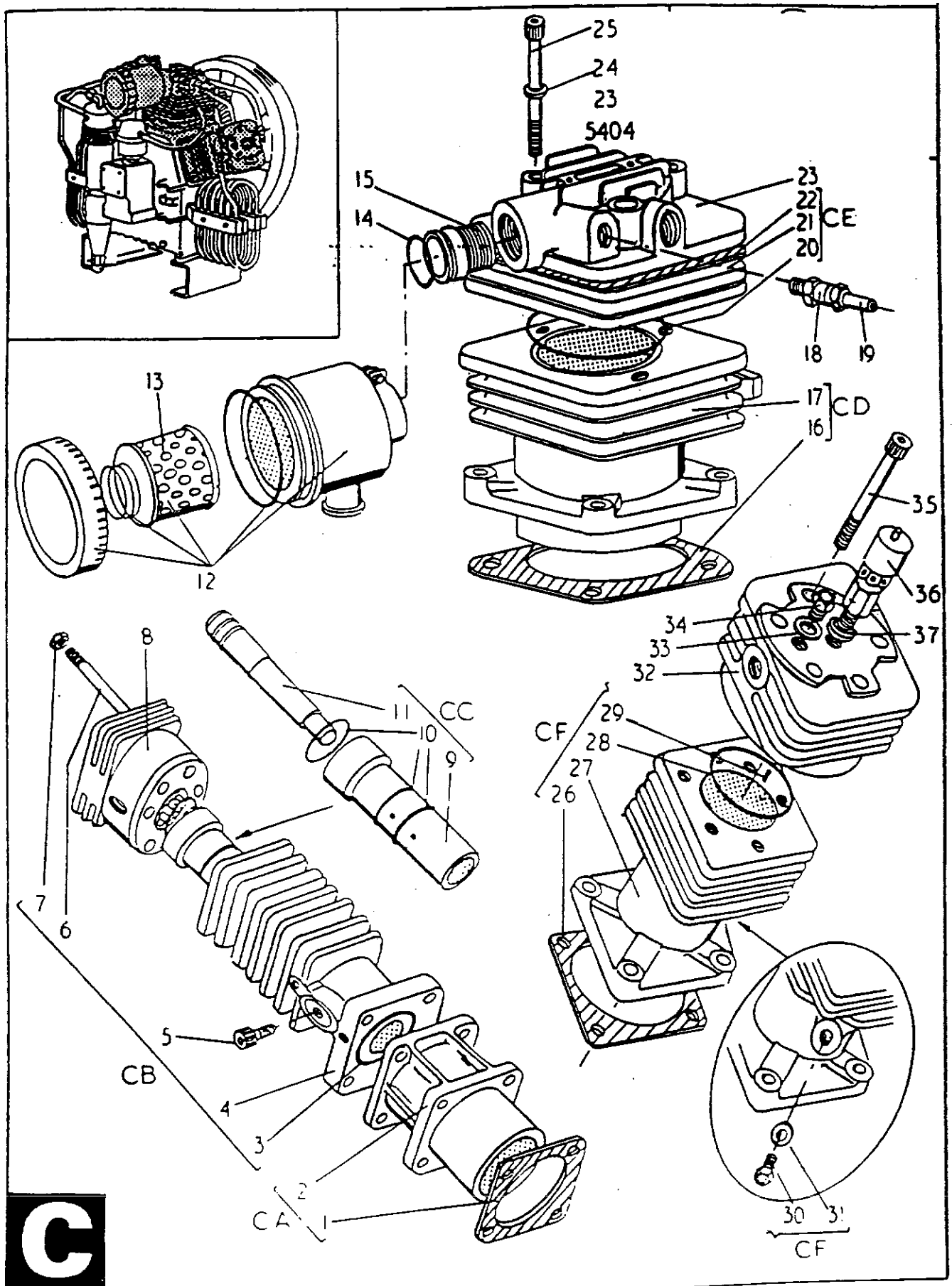
LIST "B"
RUNNING GEAR

ITEM NO.	DESCRIPTION	NO. PER MACHINE	ASSEMBLY REFERENCE	5404 PART NO.	5404H PART NO.	54044 PART NO.
BA	CRANKSHAFT ASSEMBLY	1	B1,2,3,4,5,6,7,8	D100427	D100427	D100427
BB	CONN ROD ASSEMBLY - 3RD STAGE	1	B10,11,12	C201062	C201062	C201062
BC	PISTON RING SET - 3RD STAGE	1	B13		98477/1093	
BC	PISTON RING SET-3RD STG(C201235/10	1	B13	98477/1102		
BC	PISTON RING - 3RD STAGE*	2	B13	98477/1144		98477/1144
BD	CROSSHEAD ASSEMBLY - 3RD STAGE	1	B14,15,16	98438/1001		
BD	CROSSHEAD ASSEMBLY - 3RD STAGE	1	B14,15,16 & CC			C203102
BD	CROSSHEAD ASSEMBLY - 3RD STAGE	2	B14,15,16		98438/1001	
BE	CONN ROD ASSEMBLY - 1ST STAGE	1	B17,18,19	C202041/50	C202041/50	C202041/50
BF	PISTON ASSEMBLY - 1ST STAGE	1	B20,21,22,24,25	C200565	C200565	C200565
BG	PISTON RING SET - 1ST STAGE	1	B24,25	98477/1099	98477/1099	98477/1099
BK	CONN ROD ASSEMBLY - 2ND STAGE	1	B26,27,28	C201061	C201062	C201061
BL	PISTON ASSEMBLY - 2ND STAGE	1	B29,30,31,32,33	C200566	C202186/100	C200566
BM	PISTON RING SET - 2ND STAGE	1	B32,33	98477/1101	98477/1101	98477/1101

ITEM NO.	DESCRIPTION	NO. PER MACHINE	ASSEMBLY REFERENCE	5404 PART NO.	5404H PART NO.	54044 PART NO.
B1	CRANKSHAFT FITTED WITH ITEMS 2 &	1	BA	--	--	--
B2	KEY	1	BA	95301/0008	95301/0008	95301/0008
B3	CONN ROD SPACER (INNER RING)	3	BA	98660/1061	98660/1061	98660/1061
B4	INNER RING - BIG END	3	BA	98076/1063	98076/1063	98076/1063
B5	CAPSCREW - SOCKET HEAD M8x55	1	BA	95018/0207	95018/0207	95018/0207
B6	BALANCE WEIGHT	1	BA	--	--	--
B7	SPRING WASHER M8	1	BA	95148/0014	95148/0014	95148/0014
B8	NUT	1	BA	95111/0005	98422/1009	98422/1009
B9	CONN ROD SPACER (OUTER RING)	4		98660/1060	98660/1060	98660/1060
B10	CONNECTING ROD - 3RD STAGE	1	BB	--	--	--
B11	BIG END BEARING - 3RD STAGE	1	BB	98076/1021	98076/1021	98076/1021
B12	SMALL END BEARING - 3RD STAGE	1	BB	96072/0029	96072/0029	96072/0029
B13	PISTON RINGS - 3RD STAGE	2	BC	--	--	--
B14	CROSSHEAD - 3RD STAGE	1	BD	--	--	--
B15	GUDGEON PIN - 3RD STAGE	1	BD	--	--	--
B16	CIRCLIP FOR ITEM 15	2	BD	95650/0014		95650/0014
B16	CIRCLIP FOR ITEM 15	4	BD		95650/0014	
B17	BIG END BEARING - 1ST STAGE	1	BE	98076/1021	98076/1021	98076/1021
B18	CONNECTING ROD - 1ST STAGE	1	BE	--	--	--
B19	SMALL END BEARING - 1ST STAGE	1	BE	98076/1022	98076/1022	98076/1022
B20	CIRCLIP FOR ITEM 21	2	BF	95650/0020	95650/0020	95650/0020
B21	GUDGEON PIN - 1ST STAGE	1	BF	--	--	--
B22	PISTON - 1ST STAGE	1	BF	--	--	--
B23	OIL CONTROL RING - 1ST STAGE	--	--	NOT USED	NOT USED	NOT USED
B24	OIL CONTROL RING - 1ST STAGE	1	BF & BG	--	--	--
B25	PISTON RING - 1ST STAGE	2	BF & BG	--	--	--
B26	BIG END BEARING - 2ND STAGE	1	BK	98076/1021	98076/1021	98076/1021
B27	CONNECTING ROD - 2ND STAGE	1	BK	--	--	--
B28	SMALL END BEARING - 2ND STAGE	1	BK	98076/1023	96072/0029	98076/1023
B29	CIRCLIP	2	BL	95650/0012	95650/0012	95650/0012
B30	GUDGEON PIN - 2ND STAGE	1	BL	--	--	--
B31	PISTON - 2ND STAGE	1	BL	--	--	--
B32	PISTON RING - 2ND STAGE TAPERED	3	BL & BM	--	--	--
B33	PISTON RING - 2ND STAGE PLAIN	1	BL & BM	--	--	--

*NOTE: NO FINAL PISTON RINGS ON 5404 MODELS WITH SERIAL NUMBERS 5404150 & EARLIER

5404 STANDARD MACHINE



1ST, 2ND & 3RD STAGE CYLINDERS

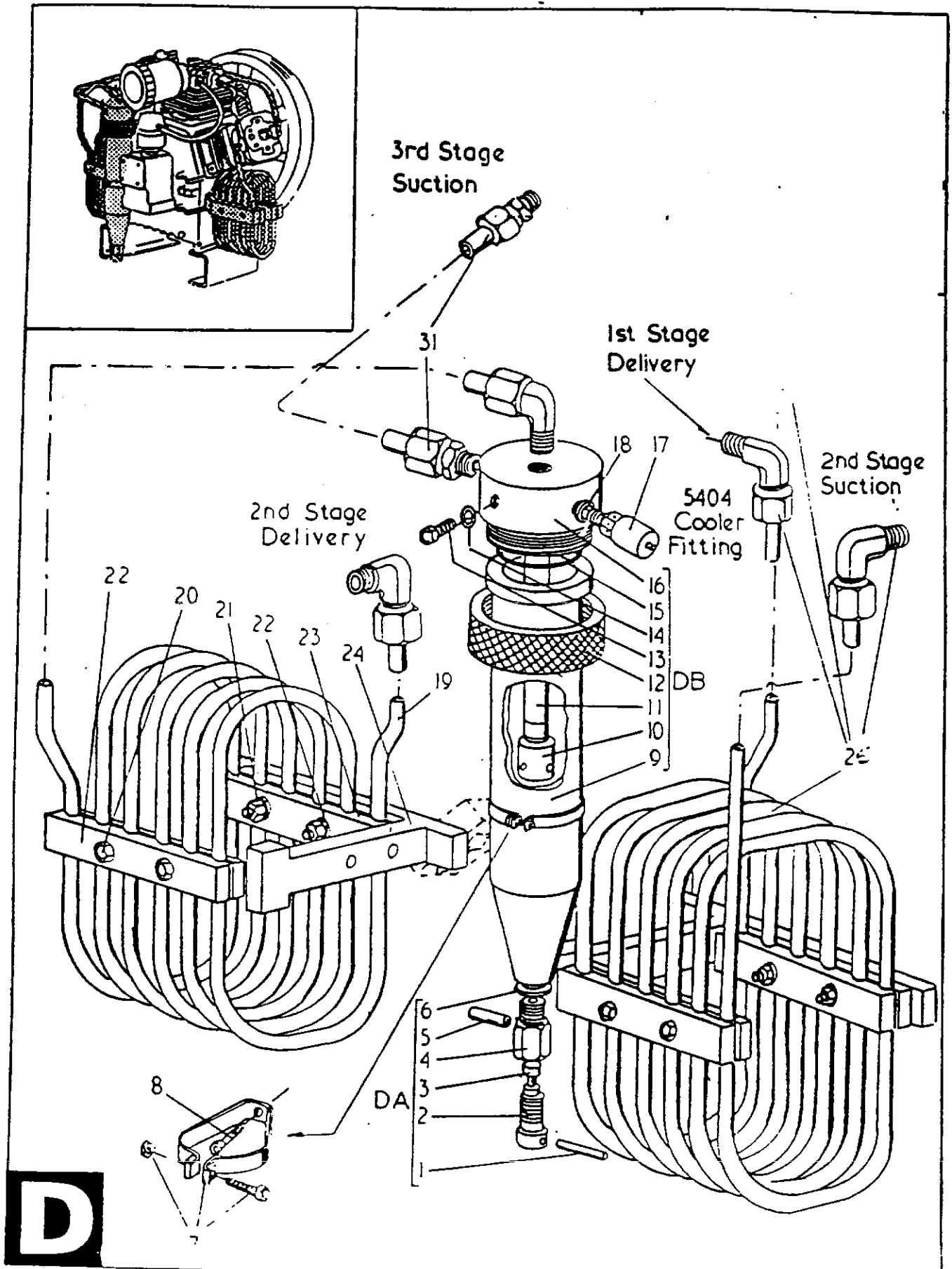
LIST "C"
1ST, 2ND & 3RD STAGE CYLINDERS

ITEM NO.	DESCRIPTION	NO. PER MACHINE	ASSEMBLY REFERENCE	5404 PART NO.	5404H PART NO.	54044 PART NO.
CA	CROSSHEAD GUIDE ASSEMBLY-3RD STG	1	C1,2	D100161/100	D100161/100	D101244/100
CB	CYLINDER ASSEMBLY - 3RD STAGE	1	C3,4,5,6,7	D100325/100	D100325/100	C203046/100
CC	PLUNGER/LINER ASSEMBLY-3RD STAGE*	1	C9,10,11,14	C203113/50	C202153	
CC	PLUNGER/LINER ASSEMBLY-3RD STAGE*	1	C9,10,11,14 & BD			C203102
CD	CYLINDER ASSEMBLY - 1ST STAGE	1	C16,17	D100424/100	D100424/100	D100424/100
CE	VALVE ASSY-1ST STG UP TO S/N 5404251	1	C20,21,22	98650/1158		
CE	VALVE ASSEMBLY - 1ST STAGE	1	C20,21,22	98650/1560	98650/1560	98650/1560
CF	CYLINDER ASSEMBLY - 2ND STAGE	1	C26,27,28,29,30,31	D101240/100	D100808/100	D101240/100

ITEM NO.	DESCRIPTION	NO. PER MACHINE	ASSEMBLY REFERENCE	5404 PART NO.	5404H PART NO.	54044 PART NO.
C1	GASKET-3RD STAGE CROSSHEAD GUIDE	1	CA & HA	98502/1015	98502/1015	98502/1015
C2	CROSSHEAD GUIDE	1	CA	--	--	--
C3	ORING BETWEEN ITEMS 2 & 4	1	CB & HA	98504/1029	98504/1029	98504/1029
C4	CYLINDER - 3RD STAGE	1	CB	--	--	--
C5	SETSCREW-SOCKETHEAD M6x12 FOR IT	1	CB	95018/0166	95018/0166	95018/0166
C6	STUD FOR ITEM 4	6	CB	D100171/8/91	D100171/8/91	D66720/8/102
C7	NUT M8 FOR ITEM 6	6	CB	98422/1028	98422/1028	98422/1028
C8	CONCENTRIC VALVE - 3RD STAGE	1		C201654	C201654	C201654
C9	LINER - 3RD STAGE	1	CC	--	--	--
C10	ORING FOR ITEM 9	3	CC & HA	95602/0018	95602/0018	
C10	ORING FOR ITEM 9	1	CC & HA			95602/0018
C11	PLUNGER ASSEMBLY - 3RD STAGE	1	CC	--	--	--
C12	INTAKE FILTER ELEMENT WITH HOUSING	1		13758	13758	13758
C13	INTAKE FILTER ELEMENT	1		N70	N70	N70
C14	ORING FOR ITEM 15	1	HA	95602/0045	95602/0045	95602/0045
C15	ADAPTOR - INTAKE FILTER	1		C200634	C200634	C200634
C16	GASKET - 1ST STAGE CYLINDER	1	CD & HA	98502/1013	98502/1013	98502/1013
C17	CYLINDER - 1ST STAGE	1	CD	--	--	--
C18	COUPLING - PLASTIC	1		98156/1551	98156/1551	98156/1551
C19	TUBE - NYLON 8x330MM	1		98617/1012	98617/1012	98617/1012
C20	ORING BETWEEN ITEMS 17 & 21	1	CE & HA	98504/1030	98504/1030	98504/1030
C21	ROUND VALVE - 1ST STAGE	1	CE	98650/1158		
C21	REED VALVE - 1ST STAGE	1	CE	98650/1560	98650/1560	98650/1560
C22	GASKET - 1ST STAGE COVER	1	CE & HA	98502/1021	98502/1021	98502/1021
C23	COVER - 1ST STAGE	1		D100425	D100425	D100425
C24	WASHER - PLAIN	3		95148/0014	95148/0014	95148/0014
C25	SETSCREW - SOCKET HEAD	3		95018/0208	95018/0208	95018/0208
C26	GASKET - 2ND STAGE CYLINDER	1	CF & HA	98502/1014	98502/1014	98502/1014
C27	CYLINDER - 2ND STAGE	1	CF	--	--	--
C28	ORING BETWEEN ITEMS 27 & 32	1	CF & HA	95602/0050	95602/0050	95602/0050
C29	TENSION PIN FOR ITEM 27	1	CF	95540/0160	95540/0160	95540/0160
C30	PLUG FOR ITEM 27	1	CF	PS1814/2	PS1814/2	PS1814/2
C31	DOWTY SEAL FOR ITEM 30	1	CF & HA	PS1322/1	PS1322/1	PS1322/1
C32	CONCENTRIC VALVE - 2ND STAGE	1		98650/1883	98650/1883	98650/1883
C33	DOWTY SEAL FOR ITEM 34	1	HA	PS1322/1	PS1322/1	PS1322/1
C34	PLUG FOR ITEM 32	1		PS1814/2	PS1814/2	PS1814/2
C35	SETSCREW - SOCKET HEAD	6		95018/0206	95018/0206	95018/0206
C36	SAFETY VALVE - 1ST STAGE	1		98650/11635.9	98650/11635.9	98650/11635.9
C36	SAFETY VALVE - 1ST STG NITROGEN USE	1				98650/11637.6
C37	DOWTY SEAL FOR ITEM 36	1	HA	PS1322/2	PS1322/2	PS1322/2

*NOTE: 5404671 AND EARLIER SERIAL NUMBERS SHOULD CHANGE TO UPDATED 1ST STAGE CONNECTING ROD

5404 STANDARD MACHINE



D

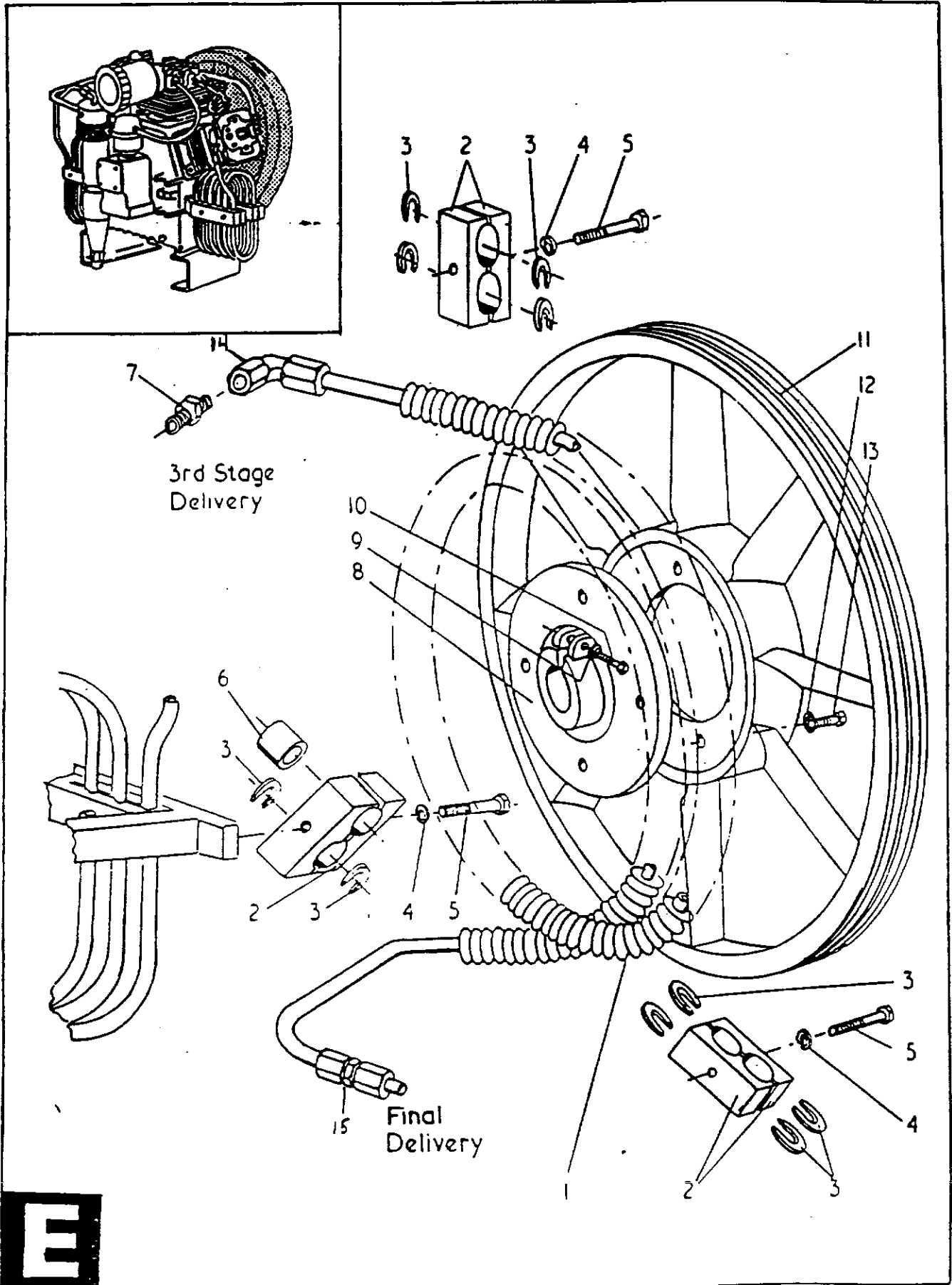
1ST & 2ND STAGE COOLERS

LIST "D"
1ST AND 2ND STAGE COOLERS

ITEM NO.	DESCRIPTION	NO. PER MACHINE	ASSEMBLY REFERENCE	5404 PART NO.	5404H PART NO.	54044 PART NO.
DA	SEPARATOR VALVE ASSEMBLY	1	D1,2,3,4,5,6	C200657/2/5	C200657/2/5	C200657/2/5
DB	SEPARATOR BODY ASSEMBLY	1	09,10,11,12,13,14,15,16	D100538	D100538	D100538

ITEM NO.	DESCRIPTION	NO. PER MACHINE	ASSEMBLY REFERENCE	5404 PART NO.	5404H PART NO.	54044 PART NO.
D1	TENSION PIN	1	DA	95540/0172	95540/0172	--
D2	VALVE SCREW	1	DA	C200656/2	C200656/2	--
D3	VALVE	1	DA	C200656/3	C200656/3	--
D4	DRAIN BODY	1	DA	--	--	--
D5	BRANCH PIPE	1	DA	C200657/3	C200657/3	--
D6	DOWTY SEAL FOR ITEM 4	1	DA & HA	98504/1051	98504/1051	--
D7	CLIP - SEPARATOR	1		98150/1006	98150/1006	98150/1006
D8	SETSCREW - COUNTERSUNK	1		95028/0134	95028/0134	95028/0134
D9	SEPARATOR BODY	1	DB	D100538	D100538	D100538
D10	DEFLECTOR	1	DB	--	--	--
D11	DOWNPIPE	1	DB	--	--	--
D12	COLLAR NUT	1	DB	C200650	C200650	C200650
D13	PLUG	1	DB	PS1814/2	PS1814/2	PS1814/2
D14	DOWTY SEAL FOR ITEM 13	1	DB & HA	PS1322/1	PS1322/1	PS1322/1
D15	ORING FOR ITEM 16	1	DB & HA	95602/0051	95602/0051	95602/0051
D16	SEPARATOR COVER	1	DB	C200651	C200651	C200651
D17	SAFETY VALVE - 2ND STAGE	1		98650/116454	98650/116454	98650/116454
D17	SAFETY VALVE-2ND STG NITROGEN USE	1				98650/116476
D18	DOWTY SEAL FOR ITEM 17	1	HA	PS1322/2	PS1322/2	PS1322/2
D19	COOLER COIL ASSY - 2ND STAGE	1		E60448	E60863	E60448
D20	SETSCREW - HEX HEAD	8		95006/0130	95006/0130	95006/0130
D21	NUT FOR ITEM 20	8		95111/0004	95111/0004	95111/0004
D22	WASHER FOR ITEM 20	8		95149/0013	95149/0013	95149/0013
D23	CLAMPS - COOLER COIL	6		C200576	C200576	C200576
D24	BRACKET - COOLER COIL	2		D100183	D100183	D100183
D25	COOLER COIL ASSEMBLY - 1ST STAG	1		E60572	E60862	E60572
D26	COOLER TUBE ASSEMBLY - 1ST STA	--		NOT USED	NOT USED	NOT USED
D27	COOLER CLIP	--		NOT USED	NOT USED	NOT USED
D28	SPACER TUBE	--		NOT USED	NOT USED	NOT USED
D29	WASHER	--		NOT USED	NOT USED	NOT USED
D30	SETSCREW - HEX HEAD	--		NOT USED	NOT USED	NOT USED
D31	PIPE ASSEMBLY - 3RD STAGE SUCTI	1		D100208	D100208	D101317

5404 STANDARD MACHINE



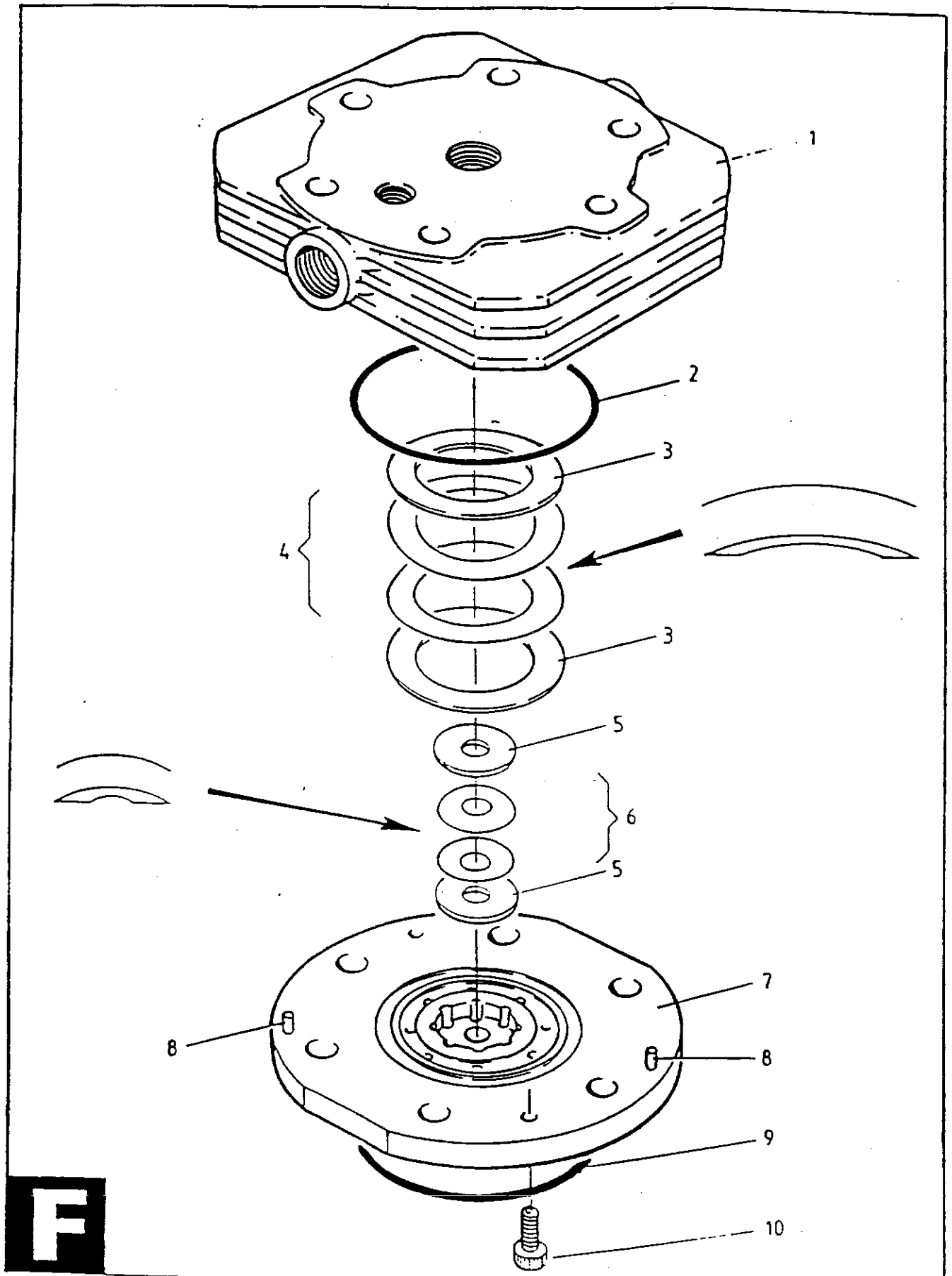
3RD STAGE COOLERS & FLYWHEEL

LIST "E"
3RD STAGE COOLER AND FLYWHEEL

ITEM NO.	DESCRIPTION	NO. PER MACHINE	ASSEMBLY REFERENCE	5404 PART NO.	5404H PART NO.	54044 PART NO.
EA	FLYWHEEL ASSEMBLY	1	E8,9,10,11,12,13	E60341	E60341	E60341

ITEM NO.	DESCRIPTION	NO. PER MACHINE	ASSEMBLY REFERENCE	5404 PART NO.	5404H PART NO.	54044 PART NO.
E1	COOLER ASSEMBLY - 3RD STAGE	1		E60393	E60857	E61269
E2	COOLER CLIP	6		C200587	C200587	C200587
E3	SUPPORT WASHER	20		98660/1109	98660/1109	98660/1109
E4	WASHER - SPRING M6	3		95179/0005	95179/0005	95179/0005
E5	SETSCREW - HEX HEAD M6x60	3		95000/0233	95000/0233	95000/0233
E6	SPACER TUBE	1		C200879	C200879	C200879
E7	FITTING WITH TEMP SWITCH ADAPTE	1		98156/2809	98156/2809	98156/2809
E8	FLYWHEEL HUB	1	EA	--	--	--
E9	WASHER - SPRING	1	EA	95179/0006	95179/0006	95179/0006
E10	SETSCREW - HEX HEAD M8x40	1	EA	95000/0259	95000/0259	95000/0259
E11	FLYWHEEL	1	EA	--	--	--
E12	WASHER - SPRING	4	EA	95179/0006	95179/0006	95179/0006
E13	SETSCREW - HEX HEAD M8x20	4	EA	95000/0257	95000/0257	95000/0257
E14	SWIVEL NUT ELBOW	1		98156/1604	98156/1604	98156/1604
E15	UNION ELBOW (NOT SHOWN)	1		98156/2180	98156/2180	98156/2180
E16	BRACKET (NOT SHOWN)	1		C202563	C202563	C202563

5404 STANDARD MACHINE



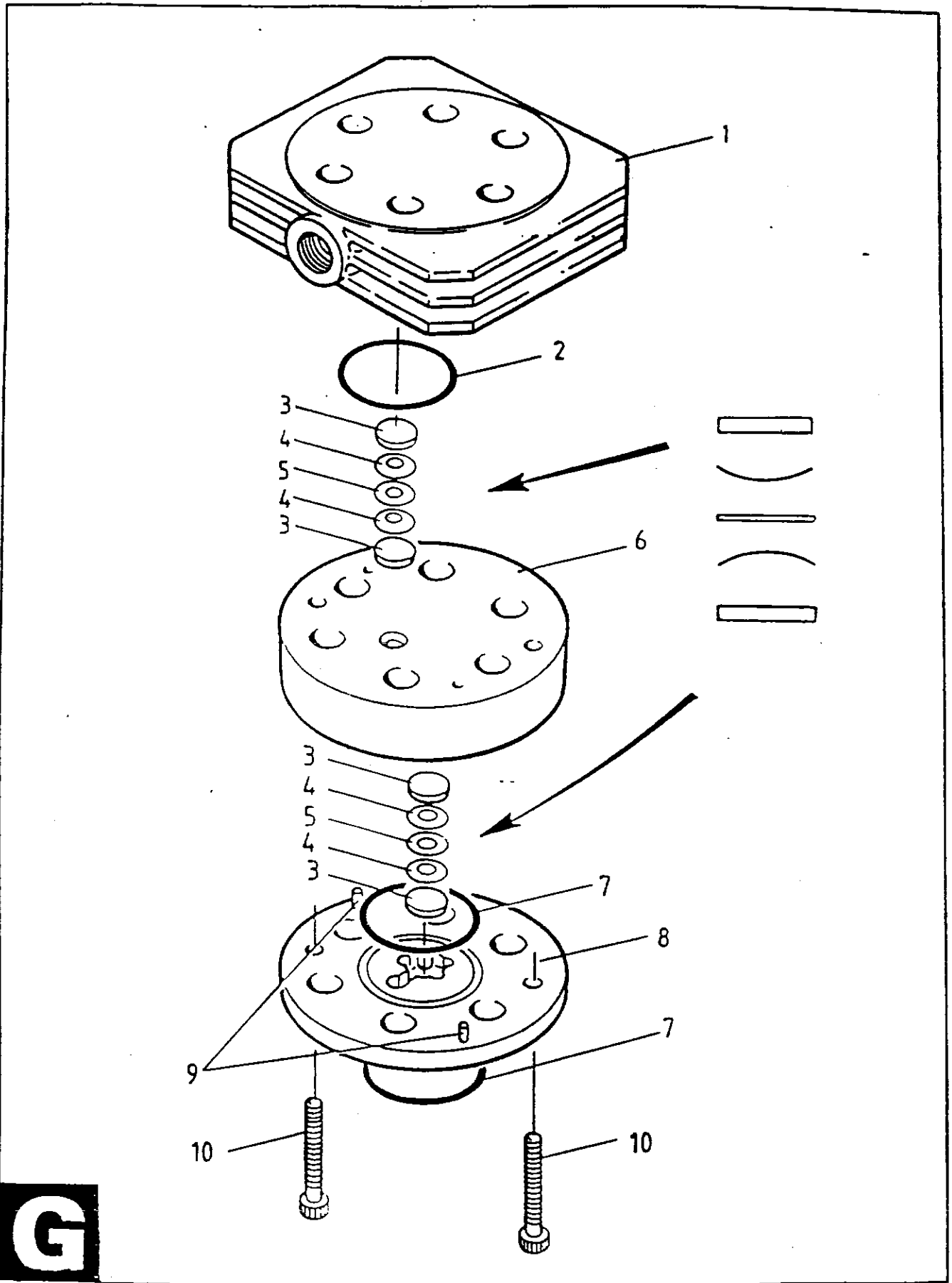
F

2ND STAGE CONCENTRIC VALVE

LIST "F"
2ND STAGE CONCENTRIC VALVE

ITEM NO.	DESCRIPTION	NO. PER MACHINE	ASSEMBLY REFERENCE	5404 PART NO.	5404H PART NO.	54044 PART NO.
F1	VALVE ASSEMBLY	1	C32	98650/1883	98650/1883	98650/1883
F2	ORING	1	HB	95602/0054	95602/0054	95602/0054
F3	VALVE BACKING PLATE - DELIVER	2	HB	98650/1211	98650/1211	98650/1211
F4	SPRING PLATE - DELIVERY	2	HB	98650/1212	98650/1212	98650/1212
F5	VALVE BACKING PLATE - SUCTION	2	HB	98650/1213	98650/1213	98650/1213
F6	SPRING PLATE - SUCTION	2	HB	98650/1214	98650/1214	98650/1214
F7	LOWER BODY	1	C32	--	--	--
F8	PEG	1	C32	--	--	--
F9	ORING	1	HB	95602/0050	95602/0050	95602/0050
F10	SETSCREW	2	HB	--	--	--

5404 STANDARD MACHINE



G

3RD STAGE CONCENTRIC VALVE

LIST "G"
3RD STAGE CONCENTRIC VALVE

ITEM NO.	DESCRIPTION	NO. PER MACHINE	ASSEMBLY REFERENCE	5404 PART NO.	5404H PART NO.	54044 PART NO.
	VALVE ASSEMBLY	1	C8	C201654	C201654	C201654
G1	UPPER BODY	1		--	--	--
G2	ORING	1	HC	95602/0016	95602/0016	95602/0016
G3	VALVE BACKING PLATE - DELIVER	4	HC	98650/1196	98650/1196	98650/1196
G4	SPRING PLATE - SUCTION & DELIV	4	HC	98650/1197	98650/1197	98650/1197
G5	CENTER PLATE - SUCTION & DELIV	2	HC	98650/1198	98650/1198	98650/1198
G6	MIDDLE BODY	1	C8	--	--	--
G7	ORING	2	HC	95602/0018	95602/0018	95602/0018
G8	LOWER BODY	1	C8	--	--	--
G9	PEG	2	C8	--	--	--
G10	SETSCREW	2	HC	--	--	--

LIST "H"
MAINTENANCE KITS

ITEM NO.	DESCRIPTION	NO. PER MACHINE	ASSEMBLY REFERENCE	5404 PART NO.	5404H PART NO.	54044 PART NO.
HA	OVERHAUL GASKET/ORING KIT	1	A2,7,9,12,21,24 C1,3,10,14,16,20. C22,28,28,31,33,37 D6,14,15,18	98504/1118	98504/1118	98504/1118
HB	VALVE MAINTENANCE KIT-2ND ST	1	F2,3,4,5,6,9,10	98650/1215	98650/1215	98650/1215
HC	VALVE MAINTENANCE KIT-3RD ST	1	G2,3,4,5,7,10	98650/1199	98650/1199	98650/1199

18.2 PARTS 5405, 5405E AND 54054

When ordering parts, it is important to have the model number and serial number to ensure the proper parts are chosen.

The digits of the serial number will identify the block. Go to the section designated for that particular block number and use column beneath the listing for parts pertaining to that unit. If in doubt, contact MAKO.

**FOR EXAMPLE: SERIAL NUMBER 5405 XXX OR 5405 XXXX
 USE COLUMNS WITH 5405 HEADER**

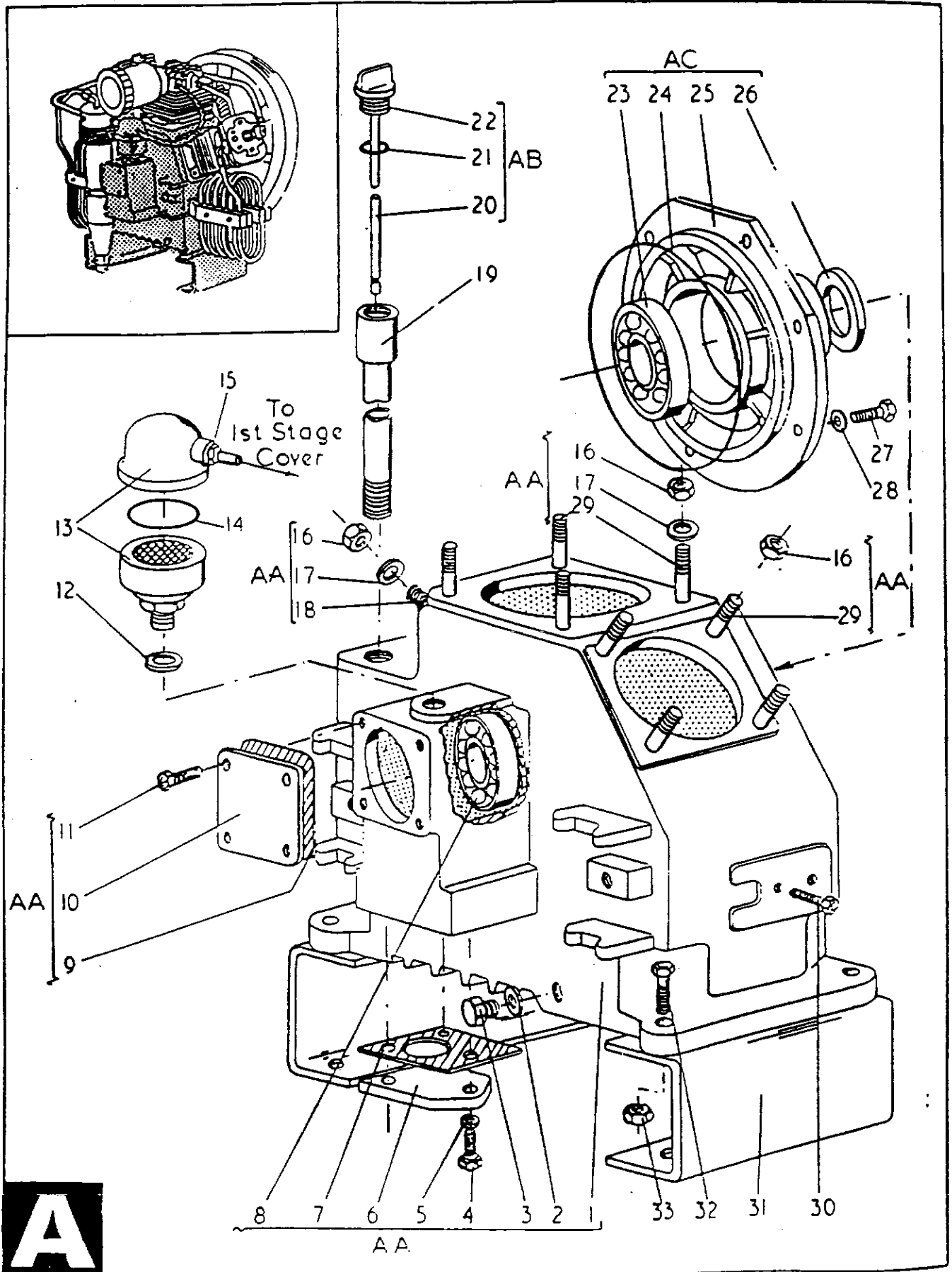
**SERIAL NUMBER 5405E XXX OR 5405E XXXX
USE COLUMNS WITH 5405E HEADER**

**SERIAL NUMBER 54054 XXX OR 54054 XXXX
USE COLUMNS WITH 54054 HEADER**

Standard parts are available where indicated by either a number or letters. The letters indicate that an item is available as a component of an assembly. Items indicated with an "--" are available as part of an assembly or kit only.

The right is reserved to modify the contents of this parts list without notice and the information given is in no way binding on the manufacturers.

5405 STANDARD MACHINE



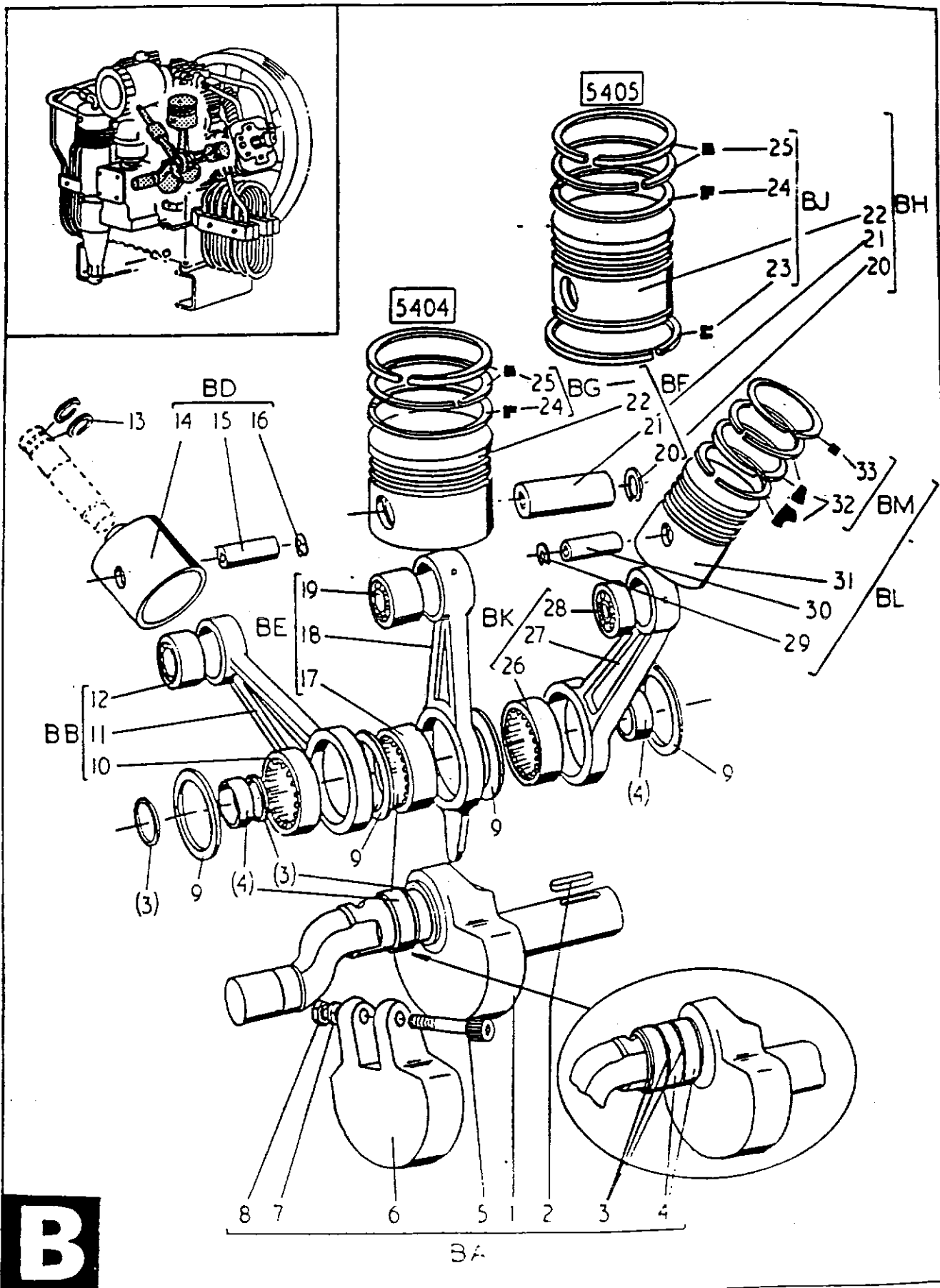
CRANKCASE

LIST "A"
CRANKCASE

ITEM NO.	DESCRIPTION	NO. PER MACHINE	ASSEMBLY REFERENCE	5405 PART NO.	5405E PART NO.	54054 PART NO.
AA	CRANKCASE ASSEMBLY	1	A1,2,3,4,5,6,7,8,9,10, A11,16,17,18,29	E60169/50	E60169/50	E60169/50
AB	DIPSTICK/OIL FILLER ASSEMBLY	1	A19,20,21,22	C200568/1	C200568/1	NOT AVAIL.
AC	BEARING HOUSING ASSEMBLY	1	A23,24,25,26	D100154/100	D101250/100	D100154/100

ITEM NO.	DESCRIPTION	NO. PER MACHINE	ASSEMBLY REFERENCE	5405 PART NO.	5405E PART NO.	54054 PART NO.
A1	CRANKCASE	1	AA	--	--	--
A2	FIBER WASHER FOR ITEM 3	1	AA & HA	95640/0007	95640/0007	95640/0007
A3	PLUG - OIL DRAIN	1	AA	PS1068/3	PS1068/3	PS1068/3
A4	SETSCREW - HEX HEAD M8x16	3	AA	95000/0254	95000/0254	95000/0254
A5	WASHER - PLAIN M8	3	AA	95148/0014	95148/0014	95148/0014
A6	COVER PLATE	1	AA	C201336	NOT USED	C201336
A7	GASKET FOR ITEM 6	1	AA & HA	98502/1017	98502/1017	98502/1017
A8	BEARING - NONDRIVE END	1	AA	98076/1018	98076/1018	98076/1018
A9	GASKET FOR ITEM 10	1	AA & HA	98502/1016	98502/1016	98502/1016
A10	END COVER - CRANKCASE	1	AA	C200563	C200563	C200563
A11	SETSCREW - HEX HEAD	4	AA	95000/0254	95000/0254	95000/0254
A12	FIBER WASHER FOR ITEM 13	1	HA	95640/0009	95640/0009	95640/0009
A13	BREATHER - CRANKCASE	1		98262/1035	98262/1035	98262/1035
A14	ORING FOR ITEM 13	1		95602/0058	95602/0058	95602/0058
A15	COUPLING - PLASTIC	1		C200658	C200658	C200658
A16	NUT (M8) FOR ITEMS 18 & 29	4	AA	95111/0005	95111/0005	95111/0005
A17	WASHER - PLAIN M8 FOR ITEMS 18 & 2	8	AB	95148/0014	95148/0014	95148/0014
A18	STUD - 3RD STAGE CYLINDER M8x70	4	AA	D100171/8/86	D100171/8/86	D100171/8/86
A19	OIL FILLER PIPE	1	AB	C200568/2	C200568/2	--
A20	DIPSTICK	1	AB	--	--	C202562
A20A	DIPSTICK FOR 9200 & 9300 MODELS	1		37-165	NOT USED	NOT USED
A21	ORING	1	AB & HA	95602/0040	95602/0040	95602/0040
A22	PLUG - OIL FILLER	1	AB	C200568/1	C200568/1	C200568/1
A23	BEARING - DRIVE END	1	AC	98076/1019	98076/1026	98076/1019
A24	ORING FOR ITEM 25	1	AC & HA	95602/0098	95602/0098	95602/0098
A25	BEARING HOUSING - DRIVE END	1	AC	--	--	--
A26	SEAL - CRANKSHAFT	1	AC & HA	95605/0057	98505/1005	95605/0057
A27	SETSCREW-HEXHEAD M8x20 FOR ITEM	6		95000/0257	95000/0257	95000/0257
A28	WASHER M8	6		95148/0014	95148/0014	95148/0014
A29	STUD-1ST & 2ND STG CYL M8x25	8	AA	D100171/8/41	D100171/8/41	D100171/8/41
A30	SETSCREW-HEXHEAD-COOLERS M8x3	4		95000/0257	95000/0257	95000/0257
A31	BRACKET	2		C200836	C202325	C200836
A32	SETSCREW - HEX HEAD M8x25	4		95000/0256	95000/0256	95000/0256
A33	NUT (M8) FOR ITEM 32	4		95111/0005	95111/0005	95111/0005

5405 STANDARD MACHINE



RUNNING GEAR

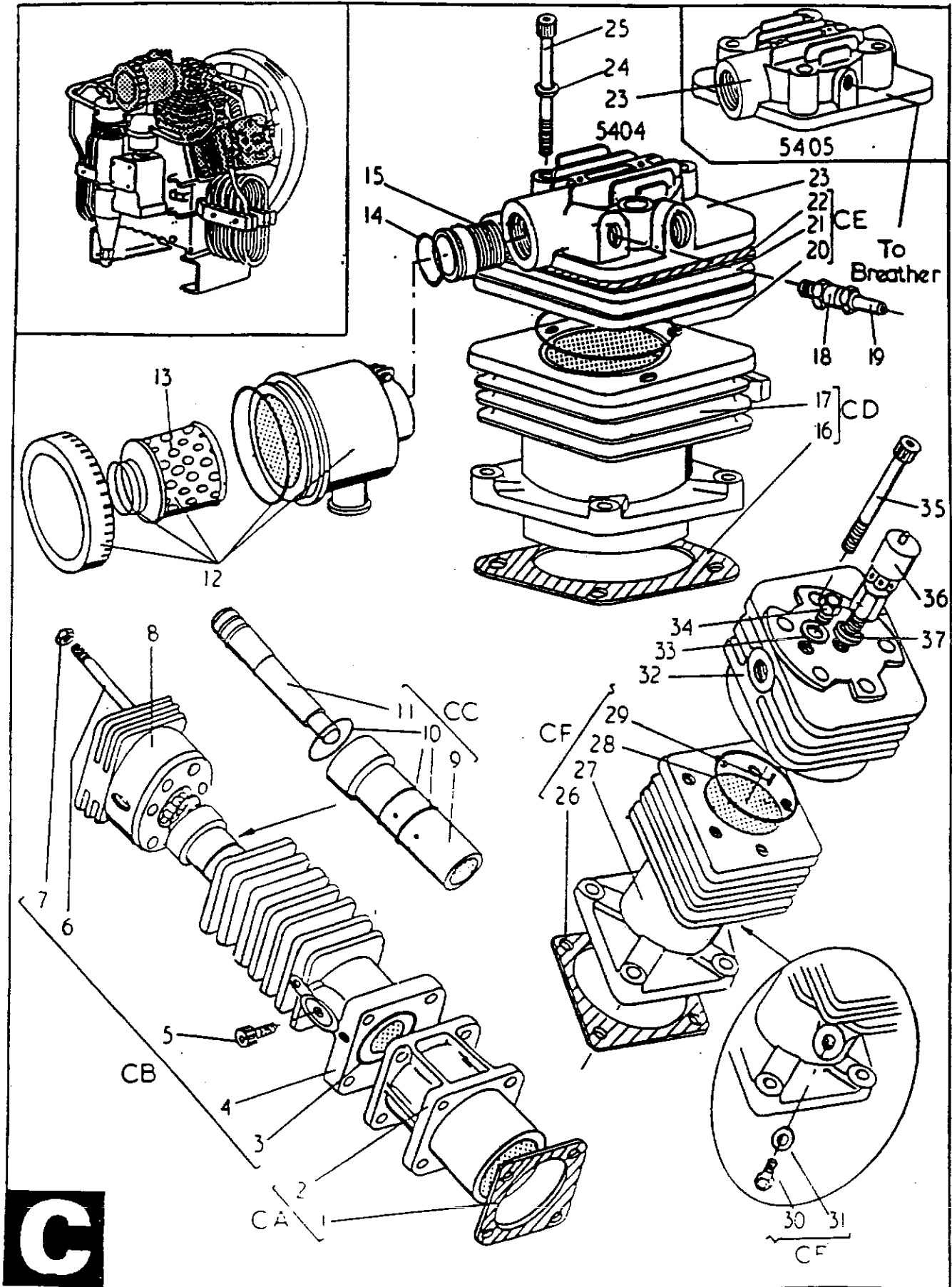
LIST "B"
RUNNING GEAR

ITEM NO.	DESCRIPTION	NO. PER MACHINE	ASSEMBLY REFERENCE	5405 PART NO.	5405E PART NO.	54054 PART NO.
BA	CRANKSHAFT ASSEMBLY	1	B1,2,3,4,5,6,7,8	D100427	D101249/100	D100427
BB	CONN ROD ASSEMBLY - 3RD STAGE	1	B10,11,12	C201062	C201062	C201062
BC	PISTON RING SET-3RD STG(C201235/10)	1	B13	98477/1102		
BC	PISTON RING - 3RD STAGE*	2	B13	98477/1144	98477/1144	98477/1144
BD	CROSSHEAD ASSEMBLY - 3RD STAGE	1	B14,15,16	98438/1001		
BD	CROSSHEAD ASSEMBLY - 3RD STAGE	1	B14,15,16 & CC		C203102	C203102
BE	CONN ROD ASSEMBLY - 1ST STAGE	1	B17,18,19	C201063	C203080/50	C201063
BH	PISTON ASSEMBLY - 1ST STAGE	1	B20,21,22,24,25	C200564	C200564	C200564
BJ	PISTON RING SET - 1ST STAGE	1	B24,25	98477/1100	98477/1100	98477/1100
BK	CONN ROD ASSEMBLY - 2ND STAGE	1	B26,27,28	C201061	C201061	C201061
BL	PISTON ASSEMBLY - 2ND STAGE	1	B29,30,31,32,33	C200566	C200566	C200566
BM	PISTON RING SET - 2ND STAGE	1	B32,33	98477/1101	98477/1101	98477/1101

ITEM NO.	DESCRIPTION	NO. PER MACHINE	ASSEMBLY REFERENCE	5405 PART NO.	5405E PART NO.	54054 PART NO.
B1	CRANKSHAFT FITTED WITH ITEMS 2 &	1	BA	--	--	--
B2	KEY	1	BA	95301/0008	95301/0008	95301/0008
B3	CONN ROD SPACER (INNER RING)	3	BA	98660/1061		98660/1061
B4	INNER RING - BIG END	3	BA	98076/1063	98076/1115	98076/1063
B5	CAPSCREW - SOCKET HEAD M8x55	1	BA	95018/0207	95018/0207	95018/0207
B6	BALANCE WEIGHT	1	BA	--	--	--
B7	SPRING WASHER M8	1	BA	95148/0014	95148/0014	95148/0014
B8	NUT	1	BA	98422/1009	98422/1009	98422/1009
B9	CONN ROD SPACER (OUTER RING)	4		98660/1060	98660/1060	98660/1060
B10	CONNECTING ROD - 3RD STAGE	1	BB	--	--	--
B11	BIG END BEARING - 3RD STAGE	1	BB	98076/1021	98076/1021	98076/1021
B12	SMALL END BEARING - 3RD STAGE	1	BB	96072/0029	96072/0029	96072/0029
B13	PISTON RINGS - 3RD STAGE	2	BC	--	--	--
B14	CROSSHEAD - 3RD STAGE	1	BD	--	--	--
B15	GUDGEON PIN - 3RD STAGE	1	BD	--	--	--
B16	CIRCLIP FOR ITEM 15	2	BD	95650/0014		95650/0014
B16	CIRCLIP FOR ITEM 15	4	BD		95650/0014	
B17	BIG END BEARING - 1ST STAGE	1	BE	98076/1021	98076/1022	98076/1021
B18	CONNECTING ROD - 1ST STAGE	1	BE	--	--	--
B19	SMALL END BEARING - 1ST STAGE	1	BE	98076/1022	98076/1023	98076/1022
B20	CIRCLIP FOR ITEM 21	2	BH	95650/0020	95650/0020	95650/0020
B21	GUDGEON PIN - 1ST STAGE	1	BH	--	--	--
B22	PISTON - 1ST STAGE	1	BH	--	--	--
B23	OIL CONTROL RING - 1ST STAGE	1	BH & BJ	--	--	--
B24	OIL CONTROL RING - 1ST STAGE	1	BH & BJ	--	--	--
B25	PISTON RING - 1ST STAGE	2	BH & BJ	--	--	--
B26	BIG END BEARING - 2ND STAGE	1	BK	98076/1021	98076/1021	98076/1021
B27	CONNECTING ROD - 2ND STAGE	1	BK	--	--	--
B28	SMALL END BEARING - 2ND STAGE	1	BK	98076/1023	96072/0029	98076/1023
B29	CIRCLIP	2	BL	95650/0012	95650/0012	95650/0012
B30	GUDGEON PIN - 2ND STAGE	1	BL	--	--	--
B31	PISTON - 2ND STAGE	1	BL	--	--	--
B32	PISTON RING - 2ND STAGE TAPERED	3	BL & BM	--	--	--
B33	PISTON RING - 2ND STAGE PLAIN	1	BL & BM	--	--	--

*NOTE: NO FINAL PISTON RINGS ON 5405 MODELS WITH SERIAL NUMBERS 5405101 & EARLIER

5405 STANDARD MACHINE



1ST, 2ND & 3RD STAGE CYLINDERS

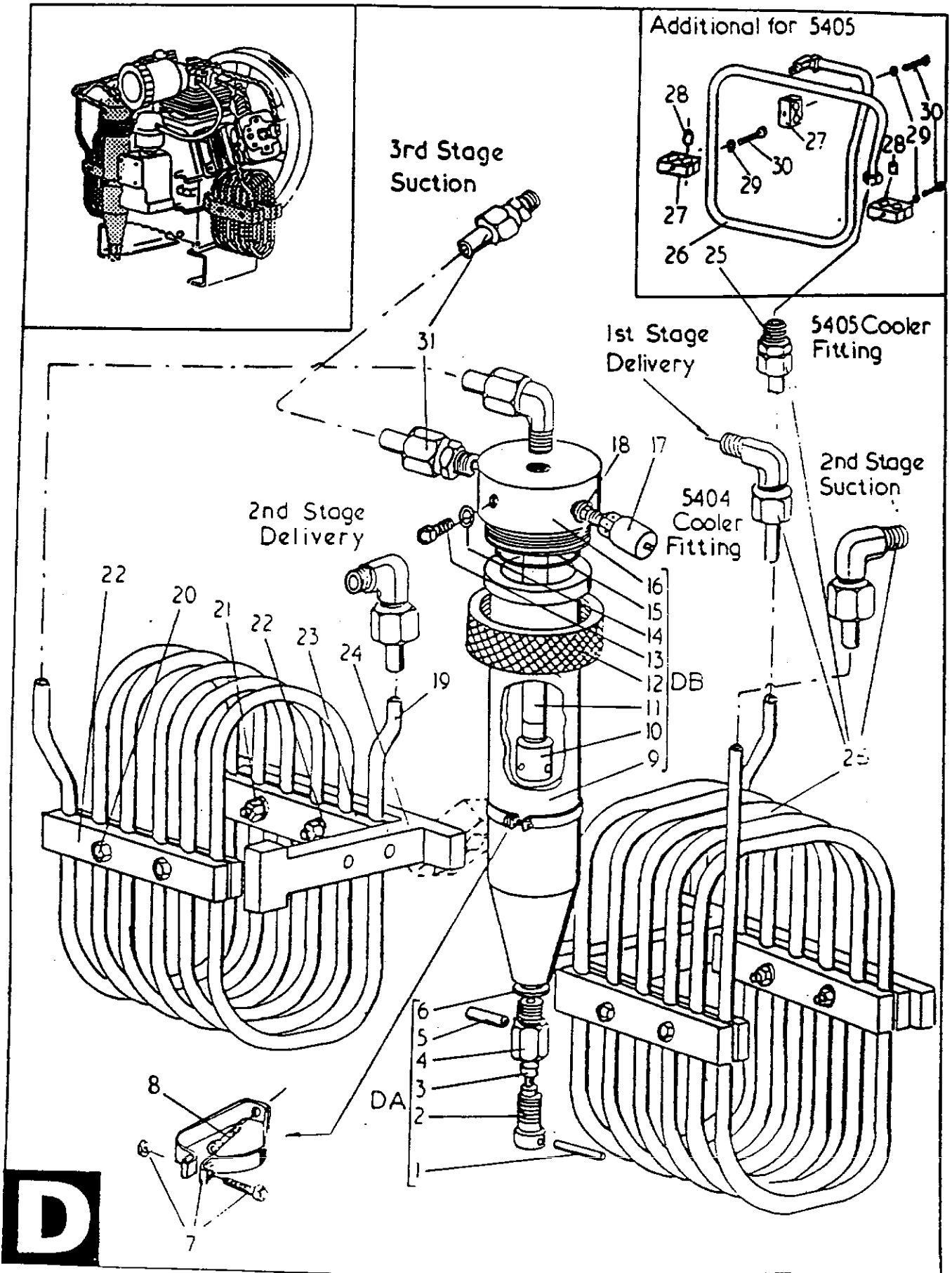
LIST "C"
1ST, 2ND & 3RD STAGE CYLINDERS

ITEM NO.	DESCRIPTION	NO. PER MACHINE	ASSEMBLY REFERENCE	5405 PART NO.	5405E PART NO.	54054 PART NO.
CA	CROSSHEAD GUIDE ASSEMBLY-3RD STG	1	C1,2	D100161/100	D101244/100	D101244/100
CB	CYLINDER ASSEMBLY - 3RD STAGE	1	C3,4,5,6,7	D100325/100	C203046/100	C203046/100
CC	PLUNGER/LINER ASSEMBLY-3RD STAGE*	1	C9,10,11,14	C203113/50		
CC	PLUNGER/LINER ASSEMBLY-3RD STAGE*	1	C9,10,11,14 & BD		C203102	C203102
CD	CYLINDER ASSY-1ST STG UP TO S/N 5405206	1	C16,17	D100155		
CD	CYLINDER ASSEMBLY - 1ST STAGE	1	C16,17	D100409/100	D100409/100	D100409/100
CE	VALVE ASSY-1ST STG UP TO S/N 5405206	1	C20,21,22	98650/1159		
CE	VALVE ASSEMBLY - 1ST STAGE	1	C20,21,22	98650/1561	C202968/100	98650/1561
CF	CYLINDER ASSEMBLY - 2ND STAGE	1	C26,27,28,29,30,31	D101240/100	D101240/100	D101240/100

ITEM NO.	DESCRIPTION	NO. PER MACHINE	ASSEMBLY REFERENCE	5405 PART NO.	5405E PART NO.	54054 PART NO.
C1	GASKET-3RD STAGE CROSSHEAD GUIDE	1	CA & HA	98502/1015	98502/1015	98502/1015
C2	CROSSHEAD GUIDE	1	CA	--	--	--
C3	ORING BETWEEN ITEMS 2 & 4	1	CB & HA	98504/1029	98504/1029	98504/1029
C4	CYLINDER - 3RD STAGE	1	CB	--	--	--
C5	SETSCREW-SOCKETHEAD M6x12 FOR ITE	1	CB	95018/0166	95018/0166	95018/0166
C6	STUD FOR ITEM 4	6	CB	D100171/8/91	D66720/8/102	D66720/8/102
C7	NUT M8 FOR ITEM 6	6	CB	98422/1028	98422/1028	98422/1028
C8	CONCENTRIC VALVE - 3RD STAGE	1		C201654	C201654	C201654
C9	LINER - 3RD STAGE	1	CC	--	--	--
C10	ORING FOR ITEM 9	3	CC & HA	95602/0018		
C10	ORING FOR ITEM 9	1	CC & HA		95602/0018	95602/0018
C11	PLUNGER ASSEMBLY - 3RD STAGE	1	CC	--	--	--
C12	INTAKE FILTER ELEMENT WITH HOUSING	1		13758	13758	13758
C13	INTAKE FILTER ELEMENT	1		N70	N70	N70
C14	ORING FOR ITEM 15	1	HA	95602/0045	95602/0045	95602/0045
C15	ADAPTOR - INTAKE FILTER	1		C200634	C200634	C200634
C16	GASKET - 1ST STAGE CYLINDER	1	CD & HA	98502/1013	98502/1013	98502/1013
C17	CYLINDER - 1ST STAGE	1	CD	--	--	--
C18	COUPLING - PLASTIC	1		98156/1551	98156/1551	98156/1551
C19	TUBE - NYLON 8x330MM	1		98617/1012	98617/1012	98617/1012
C20	ORING BETWEEN ITEMS 17 & 21	1	CE & HA	98504/1028	98504/1028	98504/1028
C21	ROUND VALVE - 1ST STAGE	1	CE	98650/1159		
C21	REED VALVE - 1ST STAGE	1	CE	98650/1561	C202968/100	98650/1561
C22	GASKET - 1ST STAGE COVER	1	CE & HA	98502/1022	98502/1022	98502/1022
C23	COVER - 1ST STAGE	1		D100408	D101094	D100408
C24	WASHER - PLAIN	4		95148/0014	95148/0014	95148/0014
C25	SETSCREW - SOCKET HEAD	4		95018/0208	95018/0208	95018/0208
C26	GASKET - 2ND STAGE CYLINDER	1	CF & HA	98502/1014	98502/1014	98502/1014
C27	CYLINDER - 2ND STAGE	1	CF	--	--	--
C28	ORING BETWEEN ITEMS 27 & 32	1	CF & HA	95602/0050	95602/0050	95602/0050
C29	TENSION PIN FOR ITEM 27	1	CF	95540/0160	95540/0160	95540/0160
C30	PLUG FOR ITEM 27	1	CF	PS1814/2	PS1814/2	PS1814/2
C31	DOWTY SEAL FOR ITEM 30	1	CF & HA	PS1322/1	PS1322/1	PS1322/1
C32	CONCENTRIC VALVE - 2ND STAGE	1		98650/1883	98650/1883	98650/1883
C33	DOWTY SEAL FOR ITEM 34	1	HA	PS1322/1	PS1322/1	PS1322/1
C34	PLUG FOR ITEM 32	1		PS1814/2	PS1814/2	PS1814/2
C35	SETSCREW - SOCKET HEAD	6		95018/0206	95018/0206	95018/0206
C36	SAFETY VALVE - 1ST STAGE	1		98650/11638.3	98650/11638.3	98650/11638.3
C37	DOWTY SEAL FOR ITEM 36	1	HA	PS1322/2	PS1322/2	PS1322/2

*NOTE: 54051005 AND EARLIER SERIAL NUMBERS SHOULD CHANGE TO UPDATED 1ST STAGE CONNECTING ROD

5405 STANDARD MACHINE.



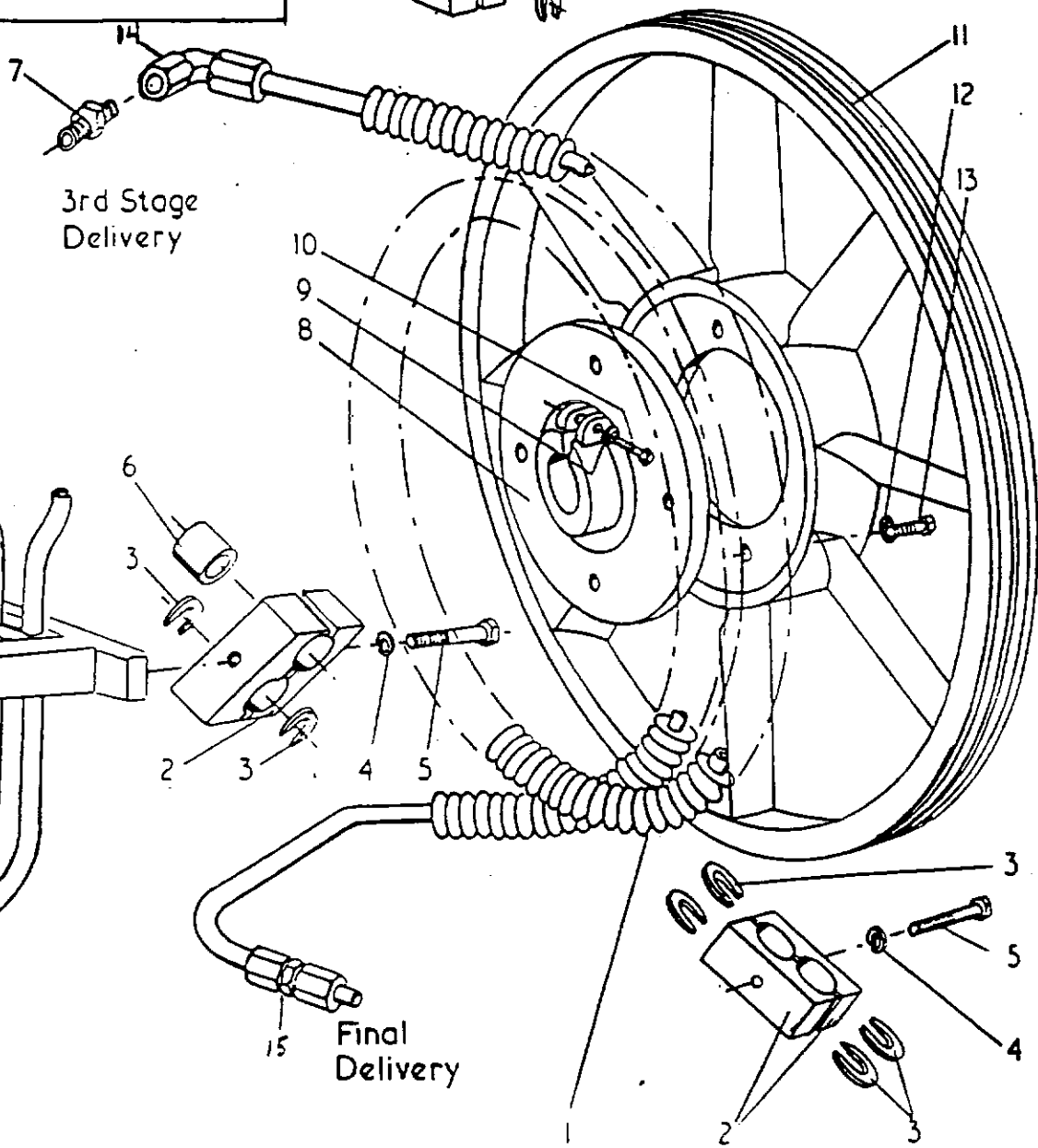
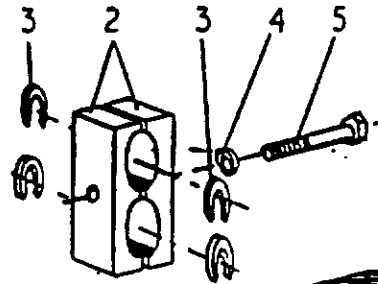
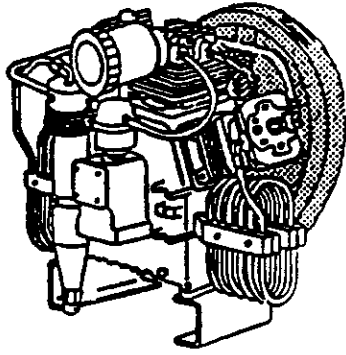
1ST & 2ND STAGE COOLERS

LIST "D"
1ST AND 2ND STAGE COOLERS

ITEM NO.	DESCRIPTION	NO. PER MACHINE	ASSEMBLY REFERENCE	5405 PART NO.	5405E PART NO.	54054 PART NO.
DA	SEPARATOR VALVE ASSEMBLY	1	D1,2,3,4,5,6	C200657/2/5	C200657/2/5	C200657/2/5
DB	SEPARATOR BODY ASSEMBLY	1	D9,10,11,12,13,14,15,16	D100538	D100538	D100538

ITEM NO.	DESCRIPTION	NO. PER MACHINE	ASSEMBLY REFERENCE	5405 PART NO.	5405E PART NO.	54054 PART NO.
D1	TENSION PIN	1	DA	95540/0172	--	--
D2	VALVE SCREW	1	DA	C200656/2	--	--
D3	VALVE	1	DA	C200656/3	--	--
D4	DRAIN BODY	1	DA	--	--	--
D5	BRANCH PIPE	1	DA	C200657/3	--	--
D6	DOWTY SEAL FOR ITEM 4	1	DA & HA	98504/1051	--	--
D7	CLIP - SEPARATOR	1		98150/1006	98150/1006	98150/1006
D8	SETSCREW - COUNTERSUNK	1		95028/0134	95028/0134	95028/0134
D9	SEPARATOR BODY	1	DB	D100538	D100538	D100538
D10	DEFLECTOR	1	DB	--	--	--
D11	DOWNPIPE	1	DB	--	--	--
D12	COLLAR NUT	1	DB	C200650	C200650	C200650
D13	PLUG	1	DB	PS1814/2	PS1814/2	PS1814/2
D14	DOWTY SEAL FOR ITEM 13	1	DB & HA	PS1322/1	PS1322/1	PS1322/1
D15	ORING FOR ITEM 16	1	DB & HA	95602/0051	95602/0051	95602/0051
D16	SEPARATOR COVER	1	DB	C200651	C200651	C200651
D17	SAFETY VALVE - 2ND STAGE	1		98650/116469	98650/116469	98650/116469
D18	DOWTY SEAL FOR ITEM 17	1	HA	PS1322/2	PS1322/2	PS1322/2
D19	COOLER COIL ASSY - 2ND STAGE	1		E60448	E61253	E60448
D20	SETSCREW - HEX HEAD	8		95006/0130	95006/0136	95006/0130
D21	NUT FOR ITEM 20	8		95111/0004	95111/0004	95111/0004
D22	WASHER FOR ITEM 20	8		95149/0013	95149/0013	95149/0013
D23	CLAMPS - COOLER COIL	6		C200576	C200576	C200576
D24	BRACKET - COOLER COIL	2		D100183	D100183	D100183
D25	COOLER COIL ASSEMBLY - 1ST STAG	1		E60187/100	E61252	E60187/100
D26	COOLER TUBE ASSEMBLY - 1ST STA	1		E60202	C203082	E60202
D27	COOLER CLIP	6		C200586	C200586	C200586
D28	SPACER TUBE	2		C200878	C200878	C200878
D29	WASHER	11		95149/0013	95149/0013	95149/0013
D30	SETSCREW - HEX HEAD	1		95000/0233	95000/0233	95000/0233
D31	PIPE ASSEMBLY - 3RD STAGE SUCTI	1		D100208	C203103	D101317

5405 STANDARD MACHINE



E

3RD STAGE COOLERS & FLYWHEEL

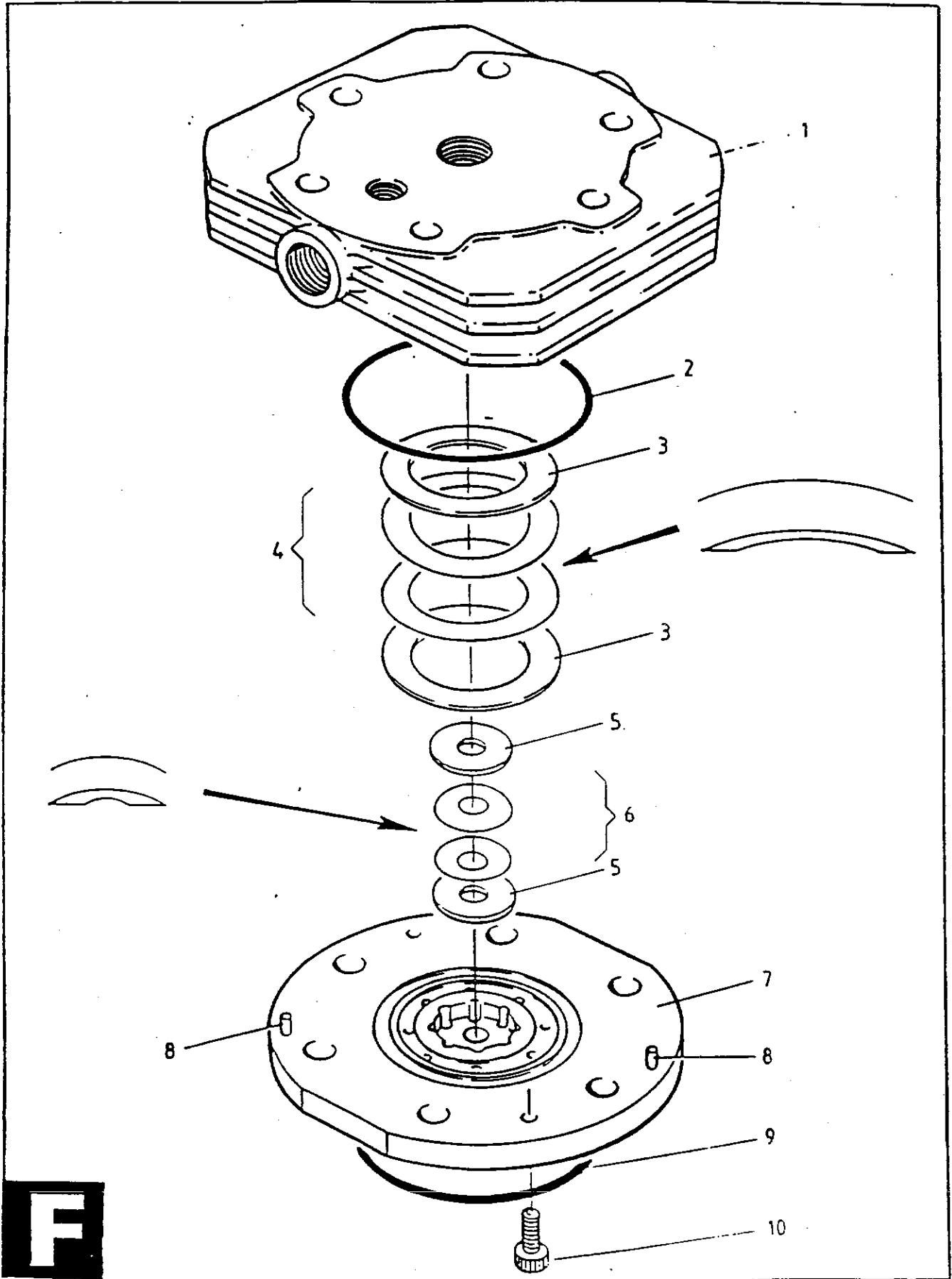
LIST "E"
3RD STAGE COOLER AND FLYWHEEL

ITEM NO.	DESCRIPTION	NO. PER MACHINE	ASSEMBLY REFERENCE	5405 PART NO.	5405E PART NO.	54054 PART NO.
EA	FLYWHEEL ASSEMBLY	1	E8,9,10,11,12,13	E60341	E61247	E60341

ITEM NO.	DESCRIPTION	NO. PER MACHINE	ASSEMBLY REFERENCE	5405 PART NO.	5405E PART NO.	54054 PART NO.
E1	COOLER ASSEMBLY - 3RD STAGE	1		E60393	E61254	E61269
E2	COOLER CLIP	6		C200587	C200587	C200587
E3	SUPPORT WASHER	20		98660/1109	98660/1109	98660/1109
E4	WASHER - SPRING M6	3		95179/0005	95179/0005	95179/0005
E5	SETSCREW - HEX HEAD M6x60	3		95000/0233		95000/0233
E5	SETSCREW - HEX HEAD M6x60	1			95000/0233	
E6	SPACER TUBE	1		C200879	C200879	C200879
E7	FITTING WITH TEMP SWITCH ADAPTE	1		98156/2809	98156/2809	98156/2809
E8	FLYWHEEL HUB	1	EA	--	--	--
E9	WASHER - SPRING	1	EA	95179/0006	95179/0005	95179/0006
E10	SETSCREW - HEX HEAD M8x40	1	EA	95000/0259		95000/0259
E10*	SETSCREW - HEX HEAD L.H. THREAD	1	EA		98500/1003	
E11	FLYWHEEL	1	EA	--	--	--
E12	WASHER - SPRING	4	EA	95179/0006	95179/0005	95179/0006
E13	SETSCREW - HEX HEAD M8x20	4	EA	95000/0257		95000/0257
E13	SETSCREW - HEX HEAD M6x20	6	EA		95018/0168	
E14	SWIVEL NUT ELBOW	1		98156/1604	98156/1604	98156/1604
E15	UNION ELBOW (NOT SHOWN)	1		98156/2180	98156/2180	98156/2180
E16	BRACKET (NOT SHOWN)	1		C202563	C202563	C202563
E17*	WASHER FOR ITEM E10*	1			98660/1092	
E18*	AXIAL FAN	1			98084/1001	
E19*	FAN BLADE	10			98084/1008	

*NOT SHOWN

5405 STANDARD MACHINE



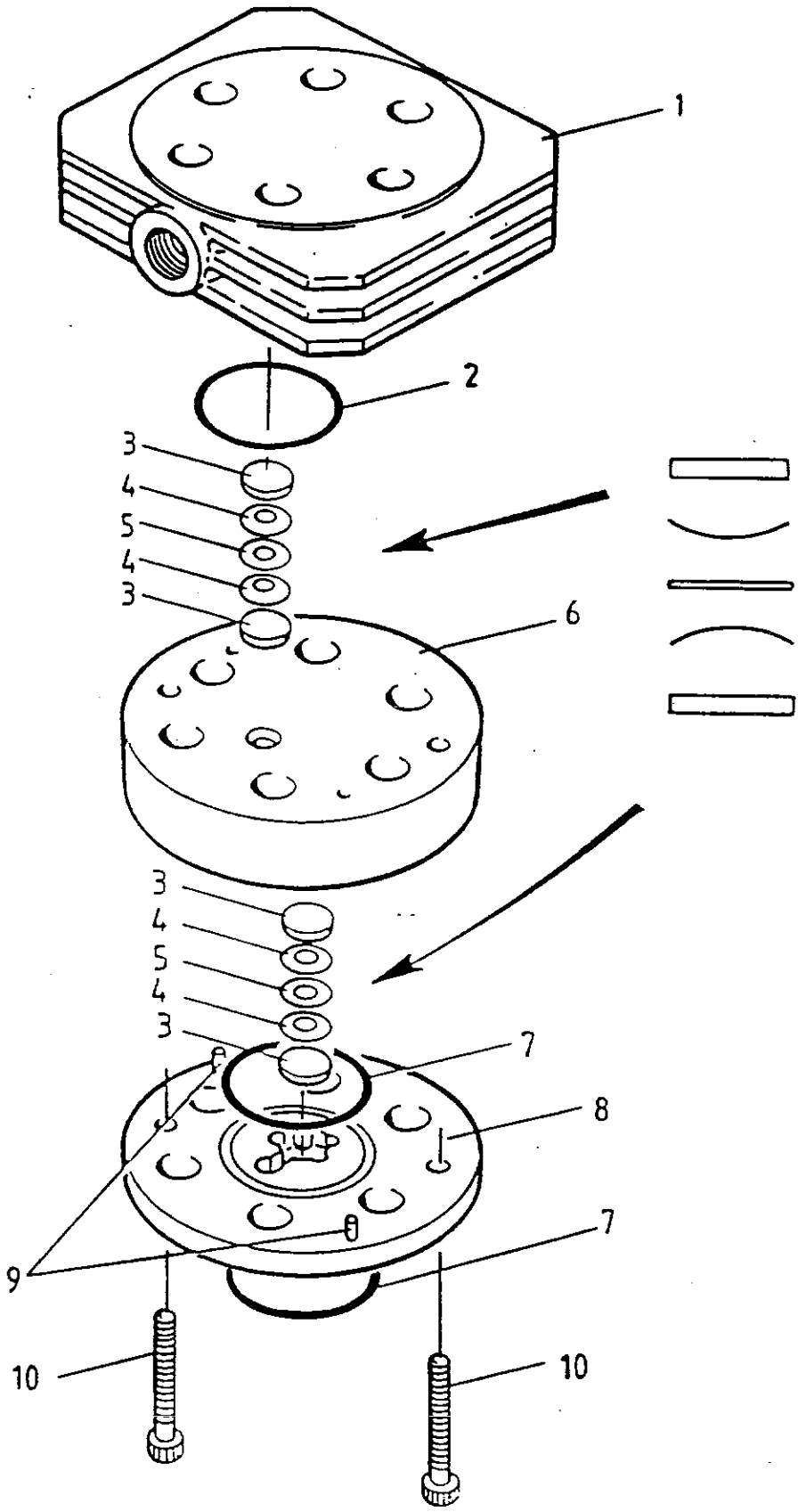
F

2ND STAGE CONCENTRIC VALVE

LIST "F"
2ND STAGE CONCENTRIC VALVE

ITEM NO.	DESCRIPTION	NO. PER MACHINE	ASSEMBLY REFERENCE	5405 PART NO.	5405E PART NO.	54054 PART NO.
F1	VALVE ASSEMBLY	1	C32	98650/1883	98650/1883	98650/1883
F2	ORING	1	HB	95602/0054	95602/0054	95602/0054
F3	VALVE BACKING PLATE - DELIVER	2	HB	98650/1211	98650/1211	98650/1211
F4	SPRING PLATE - DELIVERY	2	HB	98650/1212	98650/1212	98650/1212
F5	VALVE BACKING PLATE - SUCTION	2	HB	98650/1213	98650/1213	98650/1213
F6	SPRING PLATE - SUCTION	2	HB	98650/1214	98650/1214	98650/1214
F7	LOWER BODY	1	C32	--	--	--
F8	PEG	1	C32	--	--	--
F9	ORING	1	HB	95602/0050	95602/0050	95602/0050
F10	SETSCREW	2	HB	--	--	--

5405 STANDARD MACHINE



3RD STAGE CONCENTRIC VALVE

LIST "G"
3RD STAGE CONCENTRIC VALVE

ITEM NO.	DESCRIPTION	NO. PER MACHINE	ASSEMBLY REFERENCE	5405 PART NO.	5405E PART NO.	54054 PART NO.
	VALVE ASSEMBLY	1	C8	C201654	C201654	C201654
G1	UPPER BODY	1		--	--	--
G2	ORING	1	HC	95602/0016	95602/0016	95602/0016
G3	VALVE BACKING PLATE - DELIVER	4	HC	98650/1196	98650/1196	98650/1196
G4	SPRING PLATE - SUCTION & DELIV	4	HC	98650/1197	98650/1197	98650/1197
G5	CENTER PLATE - SUCTION & DELIV	2	HC	98650/1198	98650/1198	98650/1198
G6	MIDDLE BODY	1	C8	--	--	--
G7	ORING	2	HC	95602/0018	95602/0018	95602/0018
G8	LOWER BODY	1	C8	--	--	--
G9	PEG	2	C8	--	--	--
G10	SETSCREW	2	HC	---	--	--

LIST "H"
MAINTENANCE KITS

ITEM NO.	DESCRIPTION	NO. PER MACHINE	ASSEMBLY REFERENCE	5405 PART NO.	5405E PART NO.	54054 PART NO.
HA	OVERHAUL GASKET/ORING KIT	1	A2,7,9,12,21,24	98504/1118	98504/1118	98504/1118
			C1,3,10,14,16,20,			
			C22,26,28,31,33,37			
			D6,14,15,18			
HB	VALVE MAINTENANCE KIT-2ND ST	1	F2,3,4,5,6,9,10	98650/1215	98650/1215	98650/1215
HC	VALVE MAINTENANCE KIT-3RD ST	1	G2,3,4,5,7,10	98650/1199	98650/1199	98650/1199

18.3 PARTS 5406, 5406E AND 5406EH

When ordering parts, it is important to have the model number and serial number to ensure the proper parts are chosen.

The digits of the serial number will identify the block. Go to the section designated for that particular block number and use column beneath the listing for parts pertaining to that unit. If in doubt, contact MAKO.

**FOR EXAMPLE: SERIAL NUMBER 5406 XXX
 USE COLUMN WITH 5406 HEADER**

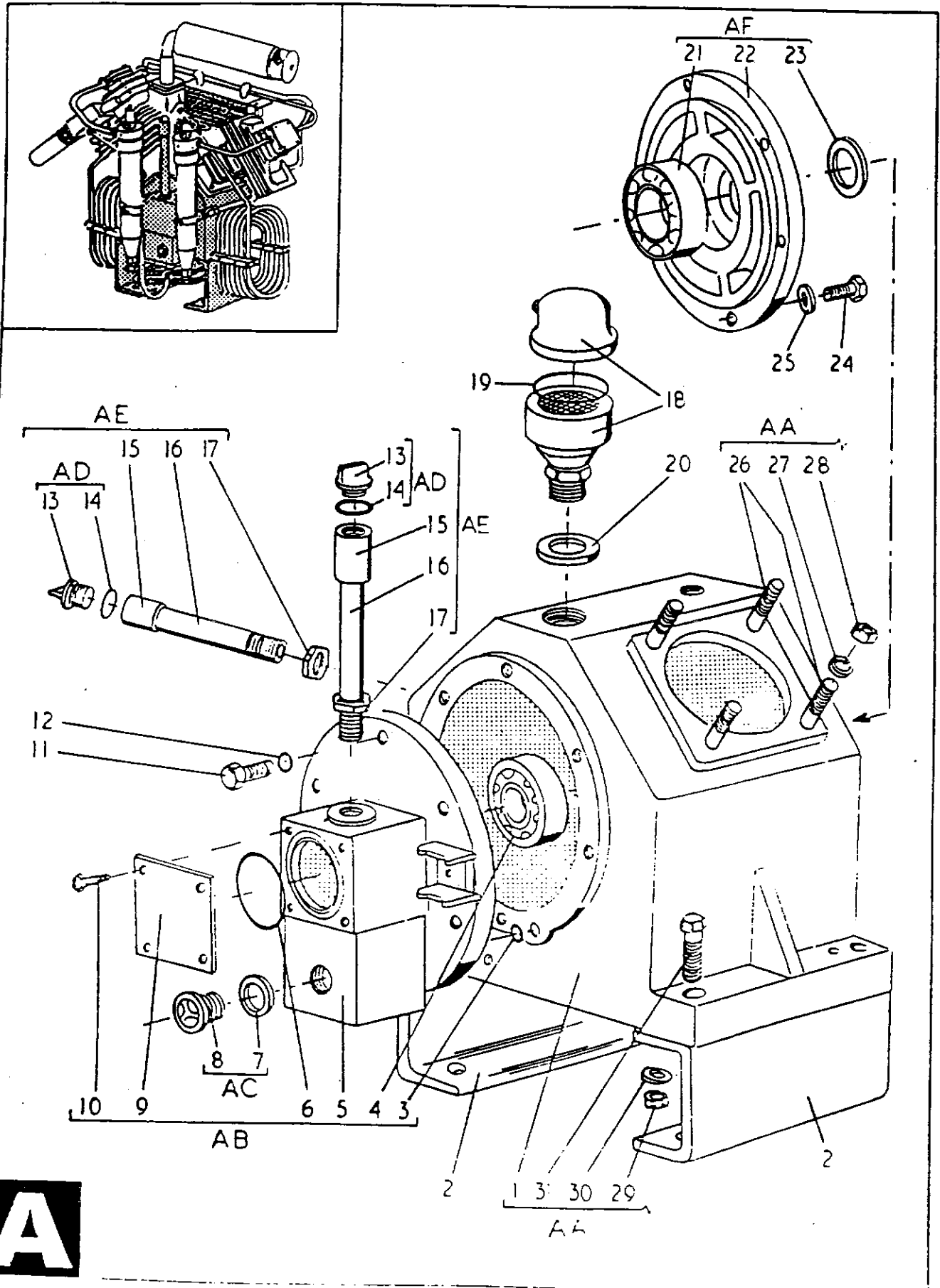
**SERIAL NUMBER 5406E XXX OR 5406E XXXX
USE COLUMN WITH 5406E HEADER**

**SERIAL NUMBER 5406EH XXX
USE COLUMN WITH 5406EH HEADER**

Standard parts are available where indicated by either a number or letters. The letters indicate that an item is available as a component of an assembly. Items indicated with an "--" are available as part of an assembly or kit only.

The right is reserved to modify the contents of this parts list without notice and the information given is in no way binding on the manufacturers.

5406 STANDARD MACHINE



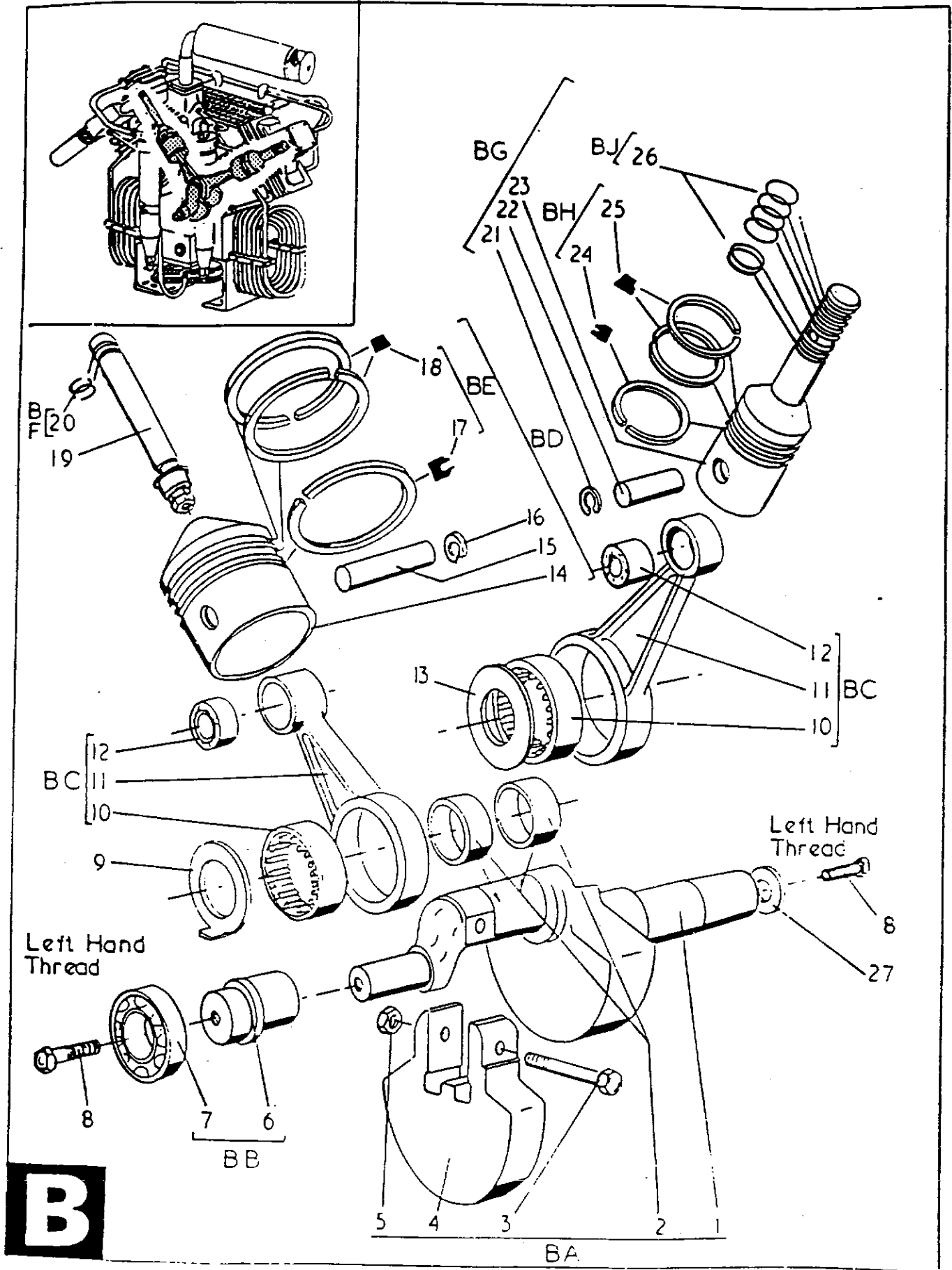
CRANKCASE

LIST "A"
CRANKCASE

ITEM NO.	DESCRIPTION	NO. PER MACHINE	ASSEMBLY REFERENCE	5406 PART NO.	5406E PART NO.	5406EH PART NO.
AA	CRANKCASE ASSEMBLY	1	A1,26,27,28,29,30,31	E60419/50	E60419/50	E60419/50
AB	BEARING HOUSING ASSEMBLY	1	A3,4,5,6,7,8,9,10	D100213/50	D100213/50	D100213/50
AC	OIL LEVEL INDICATOR SET PRE 1989	1	A7,8	98540/1001	98540/1001	
AC	OIL LEVEL INDICATOR SET AFTER 19	1	A7,8	C202452	C202452	C202452
AD	OIL DRAIN/FILLER PLUG SET	2	A13,14	98442/1037	98442/1037	98442/1037
AE	OIL DRAIN/FILLER ASSEMBLY	2	A13,14,15,16,17	C200562/3/100	C200562/3/100	C200562/3/100
AF	BEARING HOUSING ASSEMBLY	1	A21,22,23	D100255/100	D100255/100	D100255/100

ITEM NO.	DESCRIPTION	NO. PER MACHINE	ASSEMBLY REFERENCE	5406 PART NO.	5406E PART NO.	5406EH PART NO.
A1	CRANKCASE	1	AA	--	--	--
A2	MOUNTING BRACKET	2		C200937	C200937	C200937
A3	ORING	2	AB & NA	95602/0041	95602/0041	95602/0041
A4	ROLLER BEARING	1	AB	98076/1019	98076/1019	98076/1019
A5	BEARING HOUSING	1	AB	D100213/50	D100213/50	D100213/50
A6	ORING	1	AB & NA	95602/0061	95602/0061	95602/0061
A7	FIBER WASHER	1	AB & AC & NA	95640/0014	95640/0014	95640/0014
A8	OIL LEVEL INDICATOR	1	AB & AC	--	--	--
A9	END COVER	1	AB	C200645	C200645	C200645
A10	SETSCREW	4	AB	95000/0257	95000/0257	95000/0257
A11	SETSCREW	6		95000/0256	95000/0256	95000/0256
A12	SCREW SEAL	6	NA	PT6495/56	PT6495/56	PT6495/56
A13	OIL DRAIN PLUG	2	AD & AE	PS1990	PS1990	PS1990
A14	ORING	2	AD & AE & NA	95602/0040	95602/0040	95602/0040
A15	PIPE SOCKET	2	AE	C200562/3	C200562/3	C200562/3
A16	PIPE	2	AE	C201768	C201768	C201768
A17	BACKNUT	2	AE	PS1290/3	PS1290/3	PS1290/3
A18	CRANKCASE BREATHER	1		98262/1035	98262/1035	98262/1035
A19	ORING	1	NA	95602/0058	95602/0058	95602/0058
A20	FIBER WASHER	1	NA	95640/0009	95640/0009	95640/0009
A21	ROLLER BEARING	1	AF	98076/1044	98076/1044	98076/1044
A22	BEARING HOUSING	1	AF	--	--	--
A23	OIL SEAL	1	AF	98505/1009	98505/1009	98505/1009
A24	SETSCREW	6		95000/0256	95000/0256	95000/0256
A25	SCREW SEAL	6	NA	PT6495/56	PT6495/56	PT6495/56
A26	STUD	8	AA	D54109/8/28	D54109/8/28	D54109/8/28
A27	LOCKWASHER	8	AA	95187/0020	95187/0020	95187/0020
A28	NUT	8	AA	PS1113/13	PS1113/13	PS1113/13
A29	NUT	4	AA	95111/0006	95111/0006	95111/0006
A30	TAPER WASHER	4	AA	PS1742/2	PS1742/2	PS1742/2
A31	SETSCREW	4	AA	95000/0289	95000/0289	95000/0289

5406 STANDARD MACHINE



RUNNING GEAR

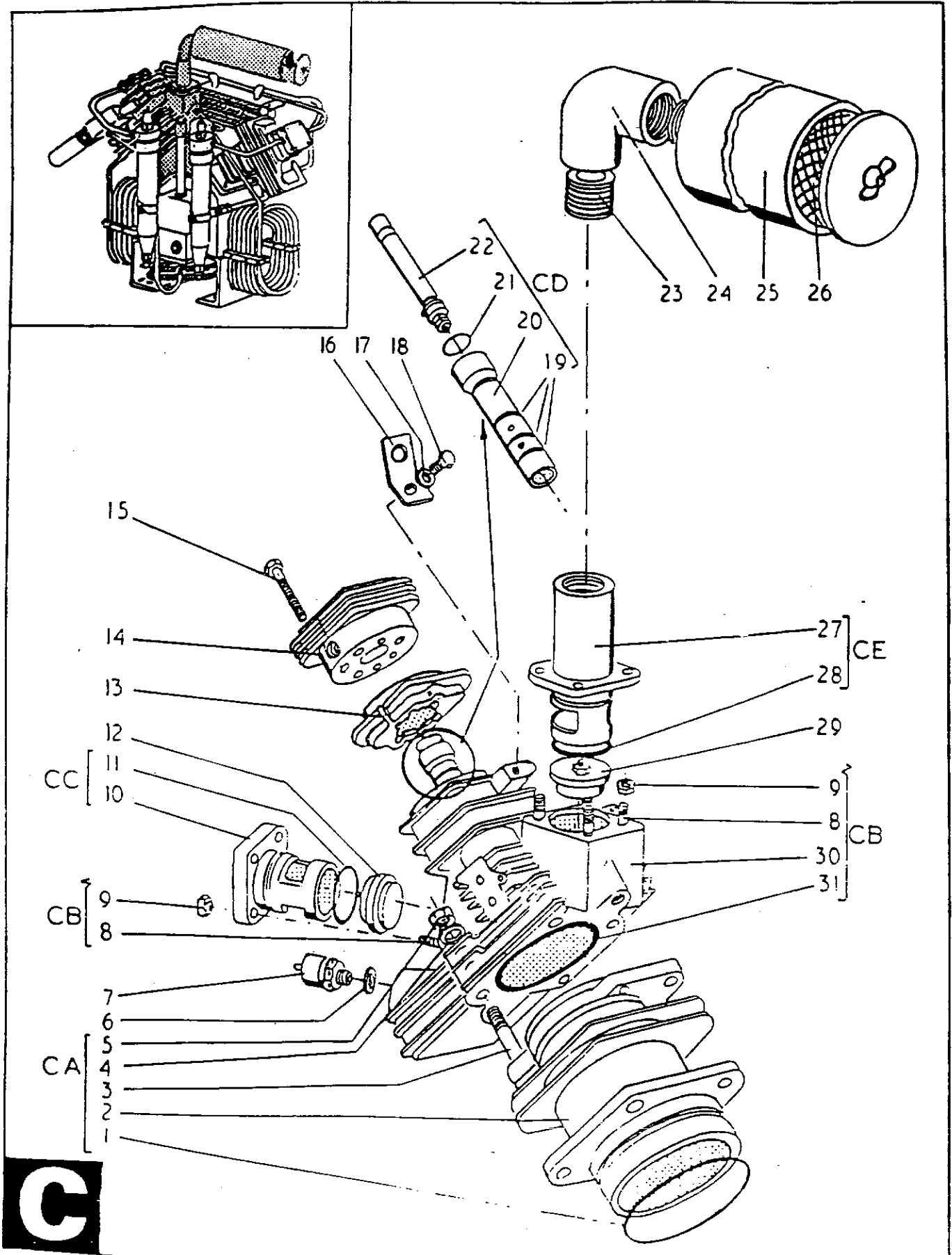
LIST "B"
RUNNING GEAR

ITEM NO.	DESCRIPTION	NO. PER MACHINE	ASSEMBLY REFERENCE	5406 PART NO.	5406E PART NO.	5406EH PART NO.
BA	CRANKSHAFT ASSEMBLY	1	B1,2,3,4,5	D100465	D100428	D100428
BB	OIL PUMP CAM ASSEMBLY	1	B6,7	C201452	C201452	C201452
BC	CONNECTING ROD ASSEMBLY	2	B10,11,12	D100284	D100284	D100284
BD	PISTON ASSEMBLY - 1ST STAGE	1	B14,15,16,17,18	D100513/50	D100513/50	D100513/50
BE	PISTON RING SET - 1ST STAGE	1	B17,18	LD02688/100	LD02688/100	LD02688/100
BF	PISTON RING SET - 4TH STAGE	1	B20	98477/1093	98477/1093	98477/1093
BG	PISTON ASSEMBLY-2ND & 3RD STG	1	B21,22,23,24,25,26	D100268/50	D100268/50	D100268/50
BH	PISTON RING SET - 2ND STAGE	1	B24,25	98477/1091	98477/1091	98477/1091
BJ	PISTON RING-3RD STG DRY GAS USE*	6	B26		C203528	
BJ	PISTON RING SET - 3RD STAGE	1	B26	98477/1092	98477/1092	98477/1092

ITEM NO.	DESCRIPTION	NO. PER MACHINE	ASSEMBLY REFERENCE	5406 PART NO.	5406E PART NO.	5406EH PART NO.
B1	CRANKSHAFT	1	BA	--		--
B2	BIG END BEARING - INNER RACE	2	BA	--	98076/1064	98076/1064
B3	BOLT	1	BA	95006/0155	95006/0155	95006/0155
B4	BALANCE WEIGHT	1	BA	--	--	--
B5	LOCKNUT	1	BA	98422/1009	98422/1009	98422/1009
B6	OIL PUMP CAM	1	BB	C201452	C201452	C201452
B7	BALL BEARING	1	BB	96004/0013	96004/0013	96004/0013
B8	SETScrew	2		98500/1003	98500/1003	98500/1003
B9	SPACER WASHER	1		98660/1145	98660/1145	98660/1145
B10	BIG END BEARING	2	BC	98076/1045	98076/1045	98076/1045
B11	CONNECTING ROD	2	BC	--	--	--
B12	SMALL END BEARING	2	BC	96072/0046	96072/0046	96072/0046
B13	BIG END SPACER	1		98660/1064	98660/1064	98660/1064
B14	PISTON - 1ST STAGE	1	BD	--	--	--
B15	GUDGEON PIN	1	BD	--	--	--
B16	CIRCLIP	2	BD	--	--	--
B17	PISTON RING - 1ST STAGE	-	BD & BE	--	--	--
B18	PISTON RING - 1ST STAGE	-	BD & BE	--	--	--
B19	PLUNGER/LINER - 4TH STAGE	1	CD	--	--	--
B20	PISTON RING - 4TH STAGE	-	BF & CD	--	--	--
B21	CIRCLIP	2	BG	--	--	--
B22	GUDGEON PIN	1	BG	--	--	--
B23	PISTON - 2ND & 3RD STAGE	1	BG	--	--	--
B24	PISTON RING - 2ND STAGE	-	BG & BH	--	--	--
B25	PISTON RING - 2ND STAGE	-	BG & BH	--	--	--
B26	PISTON RING-3RD STG DRY GAS USE*	6	BJ	--	C203528	--
B26	PISTON RING - 3RD STAGE	-	BG & BJ	--	--	--
B27	WASHER	1		98660/1092	98660/1092	98660/1092

*FOR USE IN NITROGEN AND HELIUM DRY GAS APPLICATIONS

5406 STANDARD MACHINE



1ST & 4TH STAGE CYLINDERS

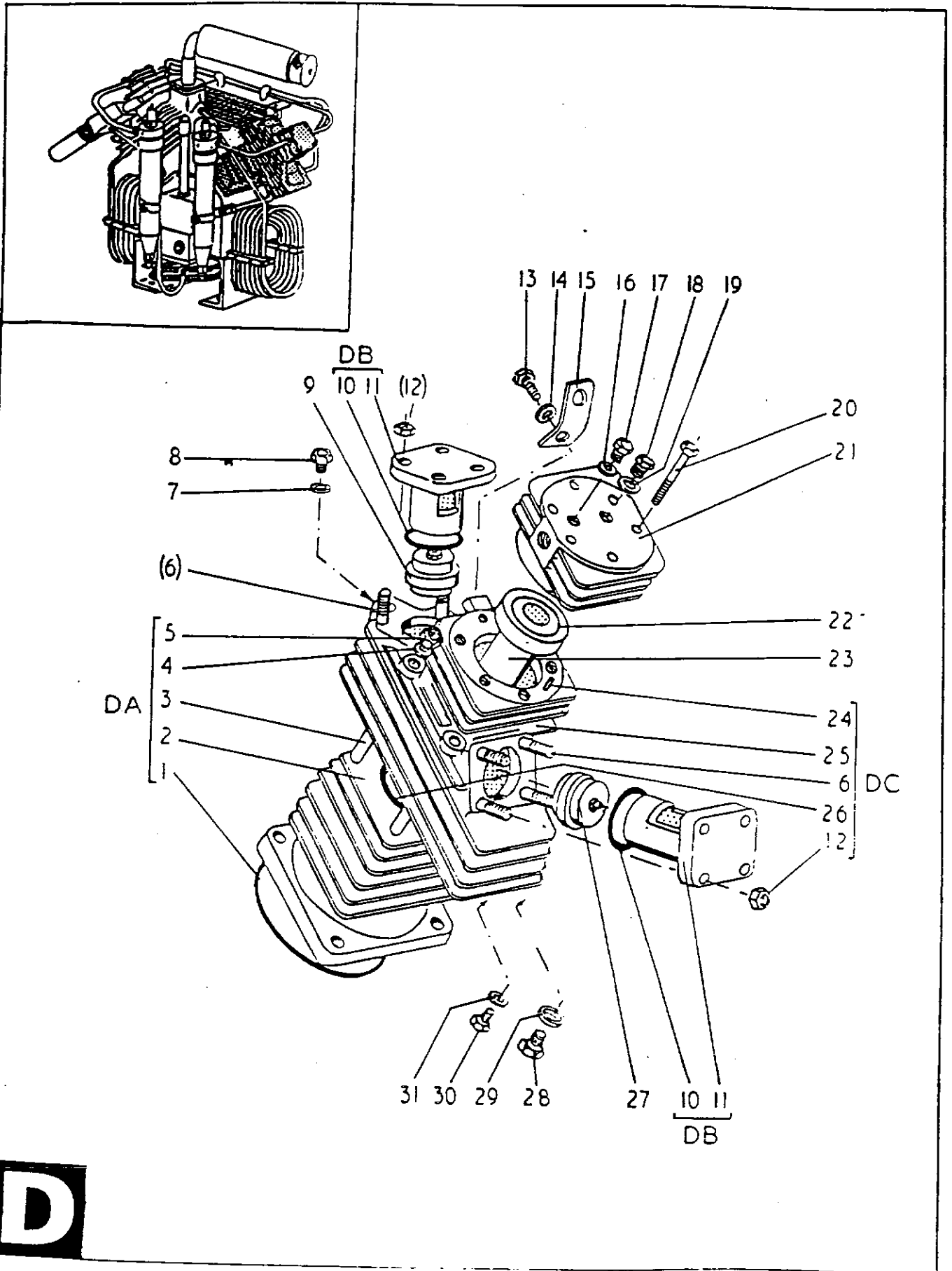
LIST "C"
1ST AND 4TH STAGE CYLINDERS

ITEM NO.	DESCRIPTION	NO. PER MACHINE	ASSEMBLY REFERENCE	5406 PART NO.	5406E PART NO.	5406EH PART NO.
CA	CYLINDER ASSEMBLY-1ST STAGE	1	C1,2,3,4,5	D100118/100	D100757/100	D100757/100
CB	CYLINDER COVER ASSY-1ST STAGE	1	C8,9,30,31	D100774	D100774	E61199/100
CC	VALVE COVER-1ST STAGE DELIVERY	1	C10,11	C200603/100	C200603/100	C200603/100
CD	LINER/PLUNGER ASSEMBLY-4TH STG*	1	C19,20,21,22	C201356	C201356	C202260
CE	VALVE COVER-1ST STAGE SUCTION	1	C27,28	C200602/100	C200602/100	C200602/100

ITEM NO.	DESCRIPTION	NO. PER MACHINE	ASSEMBLY REFERENCE	5406 PART NO.	5406E PART NO.	5406EH PART NO.
C1	ORING	1	CA & NA	95602/0087	95602/0087	95602/0087
C2	CYLINDER	1	CA	--	--	--
C3	STUD	4	CA	D100171/8/96	D100171/8/96	D100171/8/96
C4	WASHER	4	CA	95148/0014	95148/0014	95148/0014
C5	NUT	4	CA	95111/0005	95111/0005	95111/0005
C6	DOWTY SEAL	1	CA	PS1322/2	PS1322/2	PS1322/2
C7	SAFETY VALVE - 1ST STAGE	1		98650/1171	98650/1171	98650/1171
C7	SAFETY VALVE - 1ST STAGE HELIUM USE	1			98650/12875.7	
C7	SAFETY VALVE-1ST STG NITROGEN USE	1			98650/11635.9	
C8	STUD	8	CB	D100171/6/28	D100171/6/28	D100171/6/28
C9	NUT	8	CB	95111/0004	95111/0004	95111/0004
C10	VALVE COVER	1	CC	--	--	--
C11	ORING	1	CC & NA	95602/0052	95602/0052	95602/0052
C12	DELIVERY VALVE	1		98650/1180	98650/1180	98650/1180
C13	COOLING RING	1		C200546	C200546	C200546
C14	VALVE ASSEMBLY	1		C201654	C201654	C201654
C15	SETSCREW	6		98086/1016	98086/1016	98086/1016
C16	LIFTING LUG	1		C200607/1	C200607/1	C200607/1
C17	WASHER	1		95179/0006	95179/0006	95179/0006
C18	SETSCREW	1		95000/0257	95000/0257	95000/0257
C19	ORING	3	CD & NA	95602/0015	95602/0015	
C19	ORING	1	CD & NA			95602/0015
C19/1	ORING	1	CD & NA			95602/0017
C19/2	ORING	1	CD & NA			95602/0041
C20	LINER	1	CD	--	--	--
C21	ORING	1	CD & NA	95602/0018	95602/0018	95602/0018
C22	PLUNGER ASSEMBLY	1	CD	--	--	--
C23	NIPPLE	1		95414/0166	95414/0166	95414/0166
C24	ELBOW	1		95405/0006	95405/0006	95405/0006
C25	SUCTION FILTER WITH HOUSING	1		98262/1075		
C25	SUCTION FILTER WITH HOUSING	1		X0223		
C26	SUCTION FILTER ELEMENT	1		98262/1060		
C26	SUCTION FILTER ELEMENT	1		X0225	X0225	X0225
C27	VALVE COVER	1	CE	--	--	--
C28	ORING	1	CE & NA	95602/0052	95602/0052	95602/0052
C29	VALVE ASSEMBLY	1		98650/1179	98650/1179	98650/1179
C30	CYLINDER COVER	1	CB	--	--	--
C31	ORING	1	CB & NA	95602/0088	95602/0088	95602/0088

*EARLY MODELS WITH FLOATING PISTONS MUST CHANGE 1ST STG PISTON FOR RETROFIT OF 4TH STAGE PLUNGER/LINER ASSEMBLY

5406. STANDARD MACHINE



D

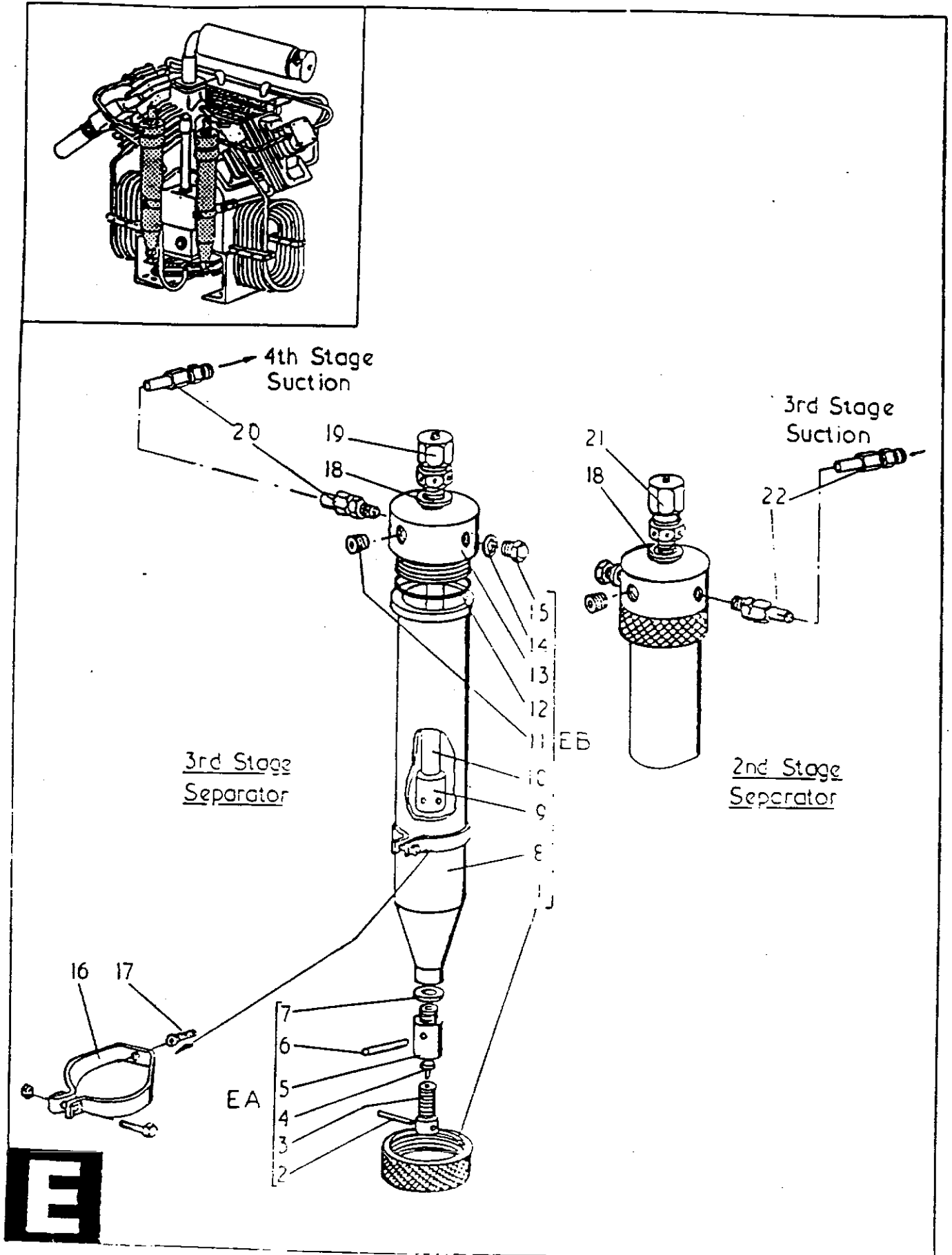
2ND & 3RD STAGE CYLINDERS

LIST "D"
2ND AND 3RD STAGE CYLINDERS

ITEM NO.	DESCRIPTION	NO. PER MACHINE	ASSEMBLY REFERENCE	5406 PART NO.	5406E PART NO.	5406EH PART NO.
DA	CYLINDER ASSEMBLY-2ND STAGE	1	D1,2,3,4,5	D100119/100	D100119/100	D100119/100
DB	VALVE COVER-2ND STAGE	1	D10,11	C200604/100	C200604/100	C200604/100
DC	CYLINDER COVER ASSY-2ND STAGE	1	D6,12,24,25,26	E60278/100	E60278/100	E60278/100

ITEM NO.	DESCRIPTION	NO. PER MACHINE	ASSEMBLY REFERENCE	5406 PART NO.	5406E PART NO.	5406EH PART NO.
D1	ORING	1	DA & NA	95602/0087	95602/0087	95602/0087
D2	CYLINDER	1	DA	--	--	--
D3	STUD	4	DA	D100171/8/91	D100171/8/91	D100171/8/91
D4	WASHER	4	DA	95148/0014	95148/0014	95148/0014
D5	NUT	4	DA	95111/0005	95111/0005	95111/0005
D6	STUD	8	DC	D100171/6/28	D100171/6/28	D100171/6/28
D7	DOWTY SEAL	1	NA	PS1322/2	PS1322/2	PS1322/2
D8	PLUG	1		PS1814/4	PS1814/4	PS1814/4
D9	DELIVERY VALVE	1		98650/1182	98650/1182	98650/1182
D10	ORING	2	DB & NA	95602/0022	95602/0022	95602/0022
D11	VALVE COVER	2	DB	--	--	--
D12	NUT	4	DC	95111/0004	95111/0004	95111/0004
D13	SETSCREW	1		95000/0257	95000/0257	95000/0257
D14	WASHER	1		95179/0006	95179/0006	95179/0006
D15	LIFTING LUG	1		C200607/1	C200607/1	C200607/1
D16	DOWTY SEAL	1	NA	PS1322/2	PS1322/2	PS1322/2
D17	PLUG	1		PS1814/4	PS1814/4	PS1814/4
D18	PLUG	1		PS1814/2	PS1814/2	PS1814/2
D19	DOWTY SEAL	1	NA	PS1322/1	PS1322/1	PS1322/1
D20	SETSCREW	6		95000/0262	95000/0262	95000/0262
D21	VALVE ASSEMBLY	1		98650/1883	98650/1883	98650/1883
D22	ORING	1	NA	95602/0050	95602/0050	95602/0050
D23	LINER	1		C200525	C200525	C200525
D24	TENSION PIN	1	DC	95541/0160	95541/0160	95541/0160
D25	CYLINDER COVER	1	DC	--	--	--
D26	ORING	1	DC & NA	95602/0056	95602/0056	95602/0056
D27	SUCTION VALVE	1		98650/1181	98650/1181	98650/1181
D28	PLUG	1		PS1814/4	PS1814/4	PS1814/4
D29	DOWTY SEAL	1	NA	PS1322/2	PS1322/2	PS1322/2
D30	PLUG	1		PS1814/2	PS1814/2	PS1814/2
D31	DOWTY SEAL	1	NA	PS1322/1	PS1322/1	PS1322/1

5406 STANDARD MACHINE



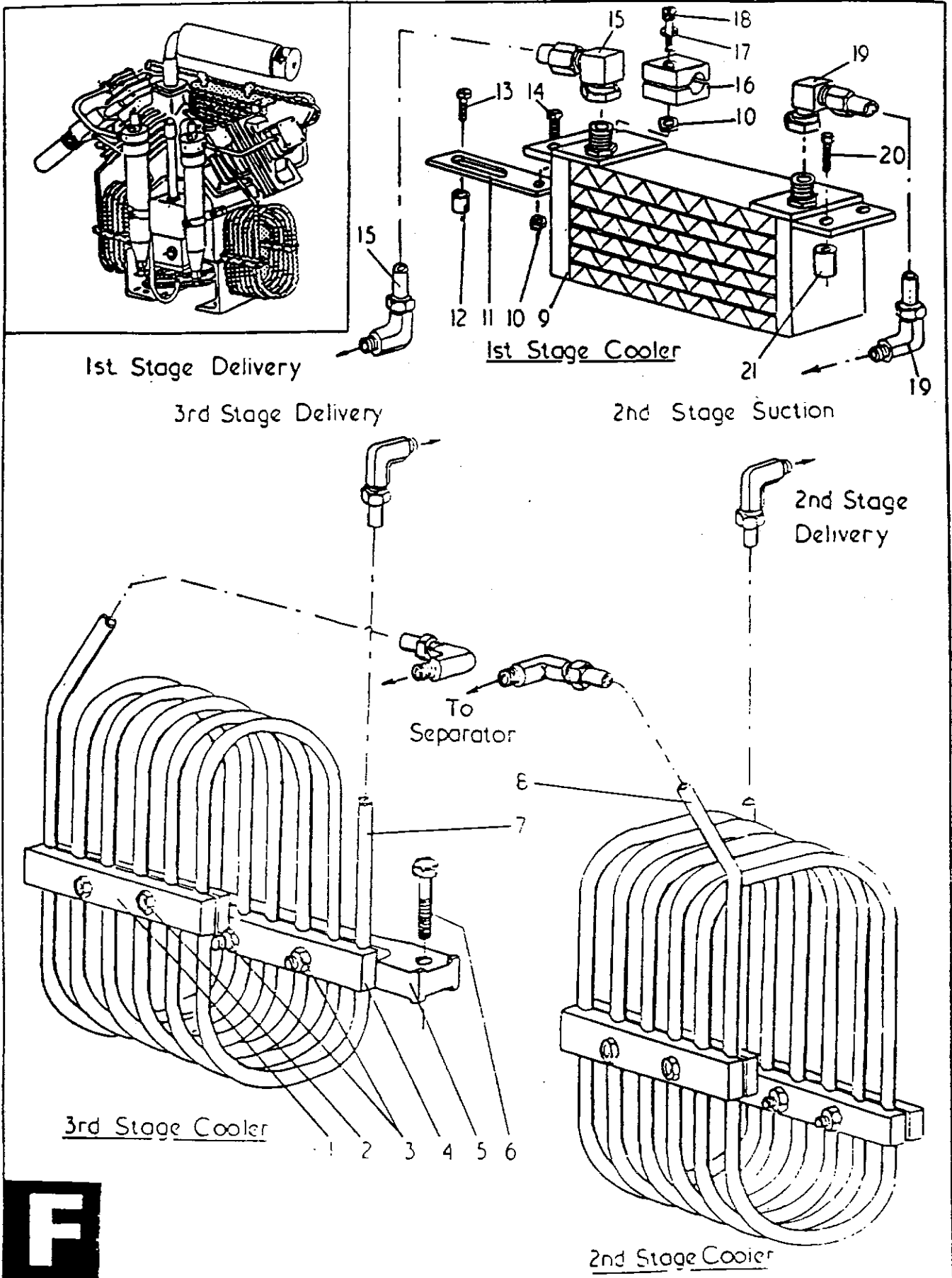
2ND & 3RD STAGE SEPARATORS

LIST "E"
2ND AND 3RD STAGE SEPARATORS

ITEM NO.	DESCRIPTION	NO. PER MACHINE	ASSEMBLY REFERENCE	5406 PART NO.	5406E PART NO.	5406EH PART NO.
EA	SEPARATOR VALVE ASSEMBLY	2	E2,3,4,5,6,7	C200657/2/5	C200657/2/5	C200657/2/5
EB	SEPARATOR BODY ASSEMBLY	2	E1,8,9,10,11,12,13,14,15	D100291	D100291	D100291

ITEM NO.	DESCRIPTION	NO. PER MACHINE	ASSEMBLY REFERENCE	5406 PART NO.	5406E PART NO.	5406EH PART NO.
E1	SEPARATOR COLLAR NUT	2	EB	C200650	C200650	C200650
E2	TENSION PIN	2	EA	95540/0172	95540/0172	95540/0172
E3	VALVE SCREW	2	EA	C200656/2	C200656/2	C200656/2
E4	VALVE	2	EA	C200656/3	C200656/3	C200656/3
E5	DRAIN BODY	2	EA	--	--	--
E6	BRANCH PIPE	2	EA	C200657/3	C200657/3	C200657/3
E7	DOWTY SEAL	2	EA & NA	98504/1051	98504/1051	98504/1051
E8	SEPARATOR BODY	2	EB	D100538	D100538	D100538
E9	SEPARATOR DEFLECTOR	2	EB	--	--	--
E10	SEPARATOR DOWNPIPE	2	EB	--	--	--
E11	PRESSURE PLUG	2	EB	PS1454/2	PS1454/2	PS1454/2
E12	ORING	2	EB & NA	95602/0051	95602/0051	95602/0051
E13	SEPARATOR COVER	2	EB	C200666	C200666	C200666
E14	DOWTY SEAL	2	EB & NA	PS1322/1	PS1322/1	PS1322/1
E15	PLUG	2		PS1814/2	PS1814/2	PS1814/2
E16	SEPARATOR CLIP ASSEMBLY	2		98150/1006	98150/1006	98150/1006
E17	SCREW-COUNTERSUNK	1		95028/0134	95028/0134	95028/0134
E17/1#	SCREW-COUNTERSUNK	1		95028/0133	95028/0133	95028/0133
E18	DOWTY SEAL	2	NA	PS1322/2	PS1322/2	PS1322/2
E19	SAFETY VALVE-3RD STAGE	1		98650/116497	98650/116497	98650/116497
E19	SAFETY VALVE-3RD STG HELIUM US	1			98650/1288114	
E19	SAFETY VALVE-3RD STG NITROGEN USE	1			98650/1164114	
E20	SUCTION PIPE ASSEMBLY	1		C201192	C201192	C201192
E21	SAFETY VALVE - 2ND STAGE	1		98650/116421	98650/116421	98650/116421
E21	SAFETY VALVE-2ND STG HELIUM US	1			98650/128829	
E21	SAFETY VALVE-2ND STG NITROGEN USE	1			98650/116428	
E22	SUCTION PIPE ASSEMBLY	1		C201191	C201191	C201191

5406 STANDARD MACHINE



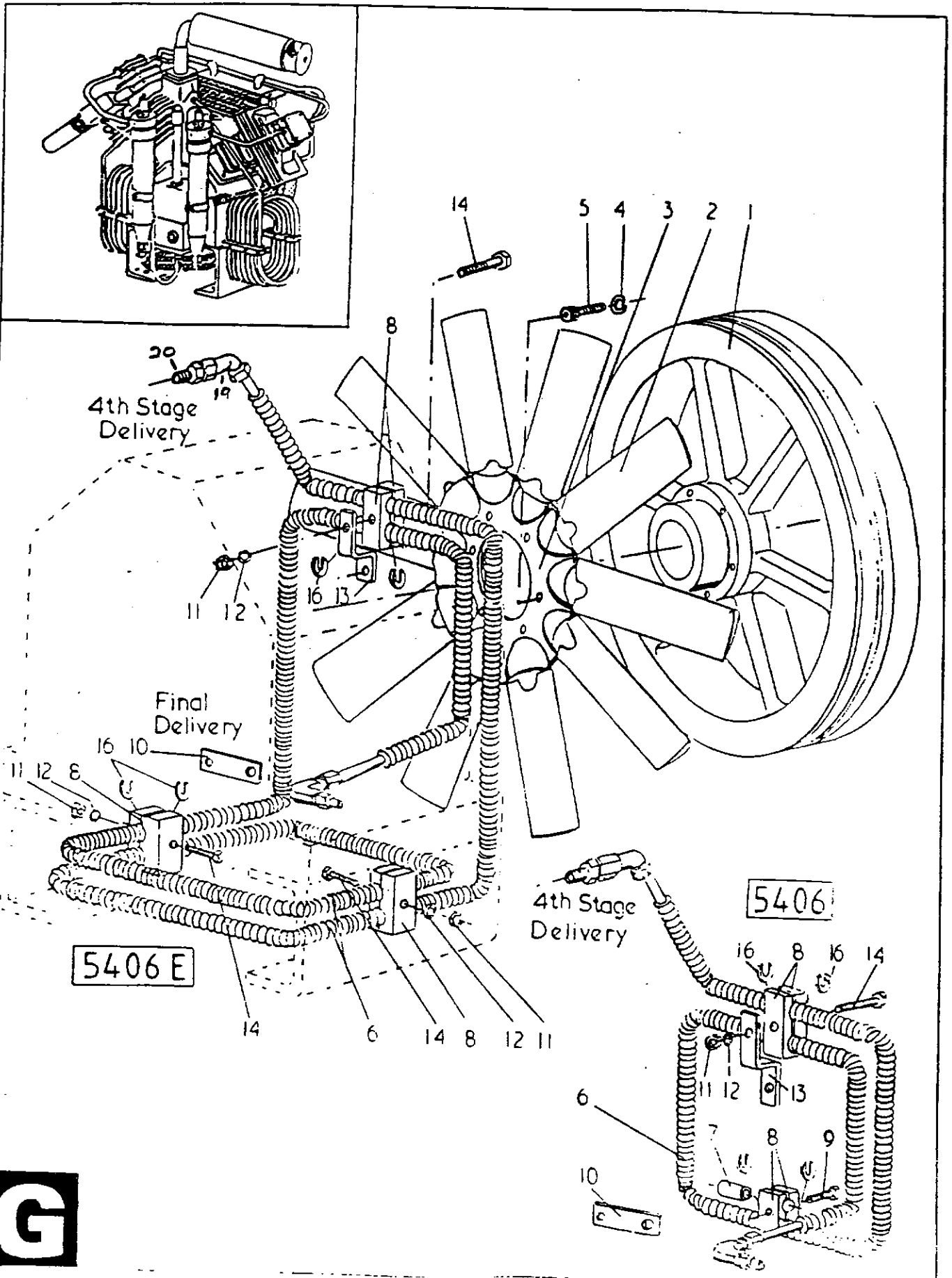
F

1ST, 2ND & 3RD STAGE COOLERS

LIST "F"
1ST, 2ND & 3RD STAGE COOLERS

ITEM NO.	DESCRIPTION	NO. PER MACHINE	ASSEMBLY REFERENCE	5406 PART NO.	5406E PART NO.	5406EH PART NO.
F1	COOLER CLAMP	4		C200576	C200576	C200576
F2	SETSCREW	8		95018/0174	95018/0174	95018/0174
F3	NUT	8		95111/0004	95111/0004	95111/0004
F4	COOLER CLAMP	2		C200576	C200576	C200576
F5	COOLER BRACKET	2		D100320	D100320	D100320
F6	SETSCREW	2		95000/0258	95000/0258	95000/0258
F7	COOLER COIL - 3RD STAGE	1		E60392	E60495	E60495
F8	COOLER COIL - 2ND STAGE	1		E60391	E60494	E60494
F9	COOLER - 1ST STAGE	1		C201604	C201604	C201604
F10	NUT	2		95111/0004	95111/0004	95111/0004
F11	CLIP	1		C201199	C201199	C201199
F12	SPACER TUBE	1		C201200/1	C201200/1	C201200/1
F13	SETSCREW	1		95000/0230	95000/0230	95000/0230
F14	SETSCREW	1		95000/0227	95000/0227	95000/0227
F15	DELIVERY PIPE ASSEMBLY	1		C201189	C201189	C201189
F16	PIPE CLAMP	1		98150/1040	98150/1040	98150/1040
F17	WASHER	1		95148/0013	95148/0013	95148/0013
F18	SETSCREW	1		95018/0170	95018/0170	95018/0170
F19	SUCTION PIPE ASSEMBLY	1		C201190	C201190	C201190
F20	SETSCREW	1		95000/0231	95000/0231	95000/0231
F21	SPACER TUBE	1		C201200/2	C201200/2	C201200/2

5406 STANDARD MACHINE



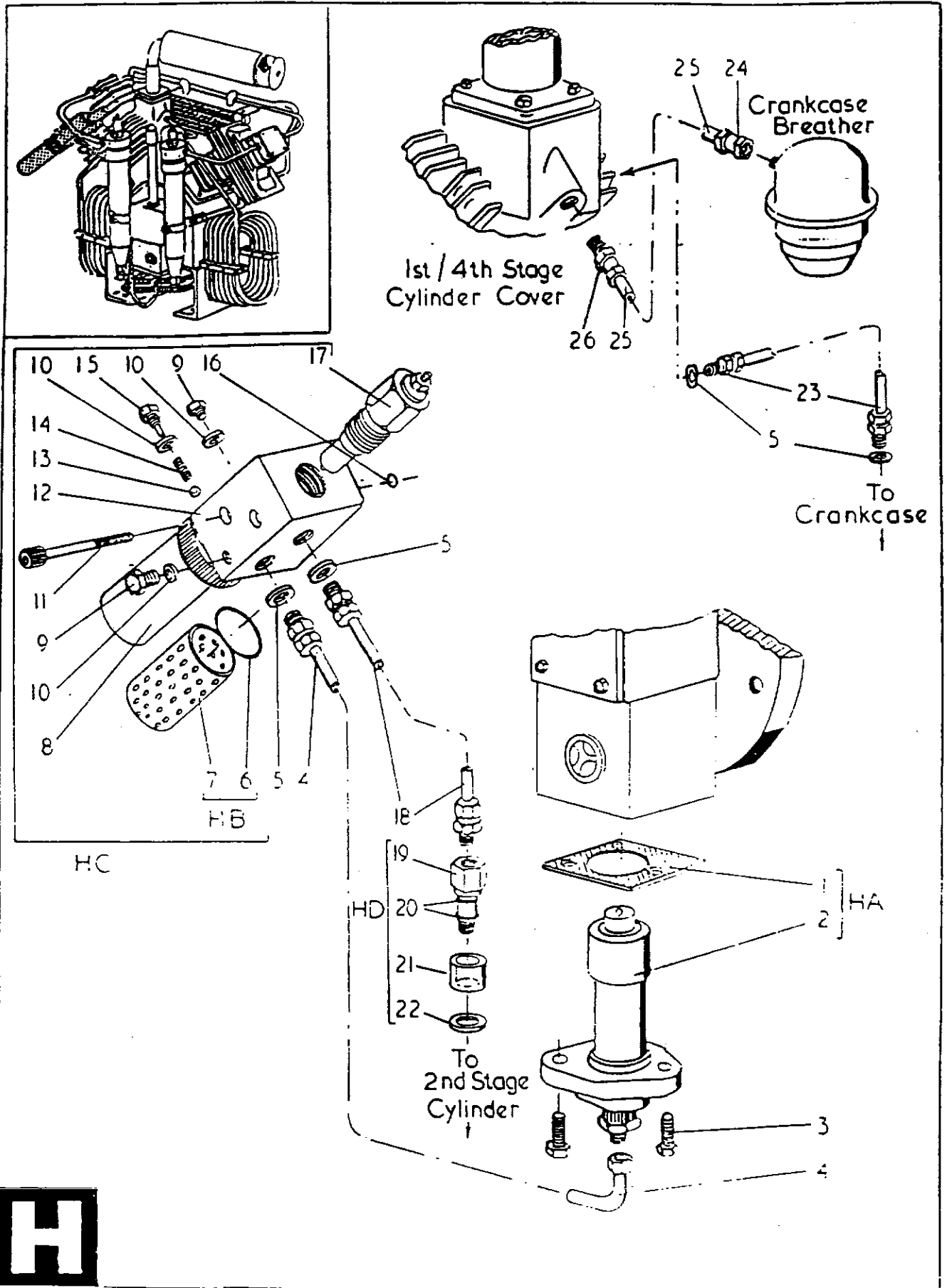
4TH STAGE COOLER & FLYWHEEL

LIST "G"
4TH STAGE COOLER AND FLYWHEEL - PARTS

ITEM NO.	DESCRIPTION	NO. PER MACHINE	ASSEMBLY REFERENCE	5406 PART NO.	5406E PART NO.	5406EH PART NO.
G1	FLYWHEEL	1		E60354	E60354	E60354
G2	FAN BLADE - RED	10		98084/1008	98084/1008	98084/1008
G2	FAN BLADE - BLACK	10		98084/1032	98084/1032	98084/1032
G3	FAN	1		98084/1001	98084/1001	98084/1001
G4	LOCKWASHER	6		95179/0005	95179/0005	95179/0005
G5	SETSCREW	6		95018/0168	95018/0168	95018/0168
G6	COOLER COIL ASSEMBLY	1		E60357	E60496	E60876
G7	PACKING PIECE	1		C200879	--	--
G8	COOLER CLIP	4		C200587		
G8	COOLER CLIP	6			C200587	C200587
G9	SETSCREW	1		95000/0233	95000/0233	95000/0233
G10	SUPPORT PLATE	1		C201827	C201827	C201827
G11	NUT	1		95111/0004	95111/0004	95111/0004
G12	LOCKWASHER	1		95179/0005	95179/0005	95179/0005
G13	COOLER BRACKET	1		C201009	C201009	C201009
G14	SETSCREW	1		95000/0234	95000/0234	95000/0234
G15	NOT USED	--		--	--	--
G16	SUPPORT WASHER	12		98660/1109		
G16	SUPPORT WASHER	24			98660/1109	98660/1109
G17*	FLYWHEEL BOLT-LEFT HAND THR	1		98500/1003	98500/1003	98500/1003
G18*	WASHER FOR G17	1		98660/1092	98660/1092	98660/1092
G19	4TH STAGE SWIVEL ELBOW	1		98156/1604	98156/1604	98156/1604
G20	ADAPTER-TEMP SWITCH	1		98156/2809	98156/2809	98156/2809

*NOT SHOWN

5406 STANDARD MACHINE



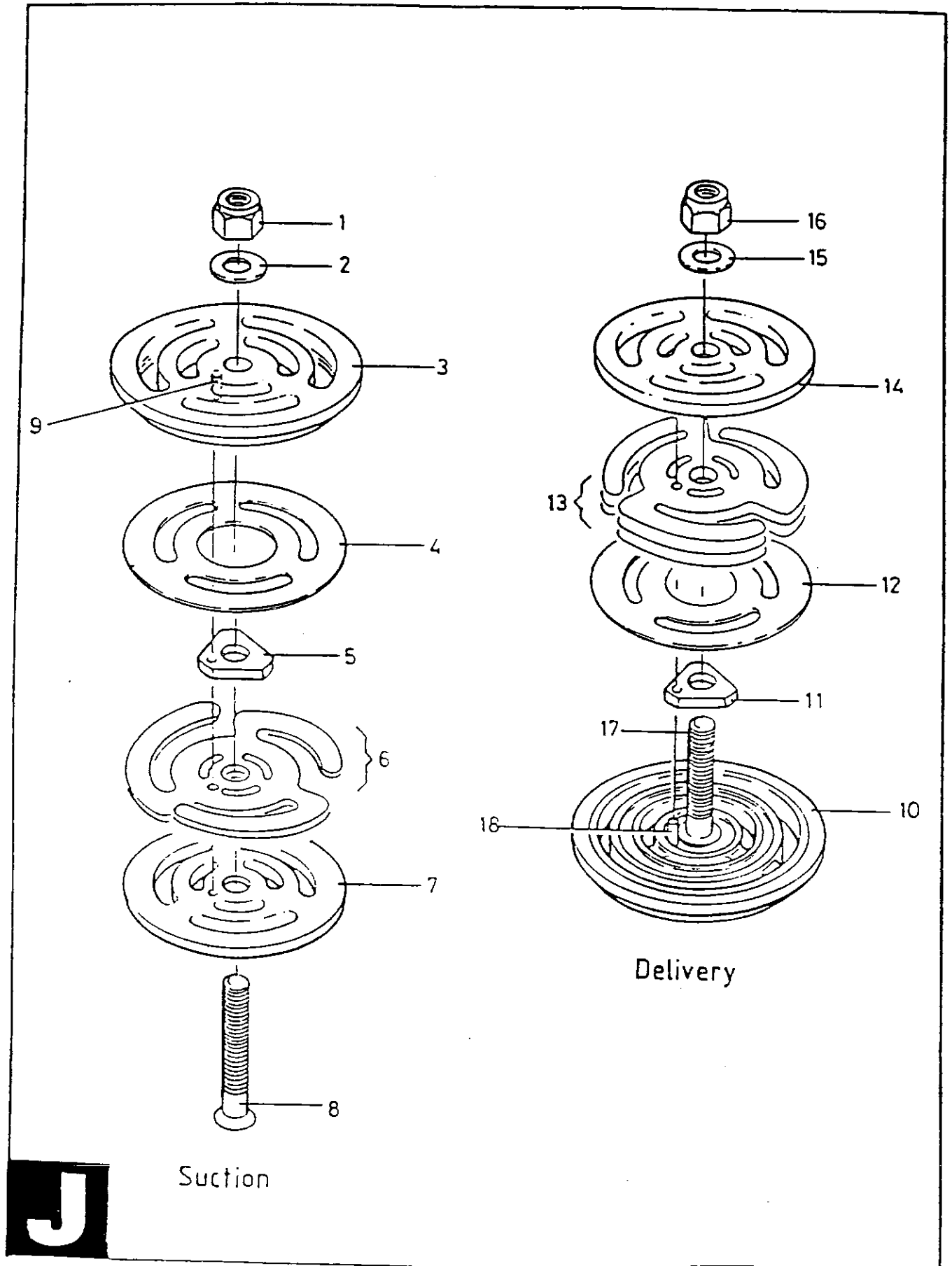
LUBRICATION

LIST "H"
LUBRICATION

ITEM NO.	DESCRIPTION	NO. PER MACHINE	ASSEMBLY REFERENCE	5406 PART NO.	5406E PART NO.	5406EH PART NO.
HA	OIL PUMP ASSEMBLY	1	H1,2	98446/1050	98446/1050	98446/1050
HB	OIL FILTER ASSEMBLY	1	H6,7	98262/1148	98262/1148	98262/1148
HC	OIL REGULATOR ASSEMBLY	1	H6,7,8,9,10,11,12, 13,14,15,16,17	D100406	D100406	D100406
HD	OIL SIGHT GLASS ASSEMBLY	1	H19,20,21,22	C201218	C201218	C201218

ITEM NO.	DESCRIPTION	NO. PER MACHINE	ASSEMBLY REFERENCE	5406 PART NO.	5406E PART NO.	5406EH PART NO.
H1	GASKET	1	HA & NA	98502/1017	98502/1017	98502/1017
H2	OIL PUMP	1	HA	--	--	--
H3	SETSCREW	3		95000/0256	95000/0256	95000/0256
H4	OIL FEED PIPE ASSEMBLY	1		C201668	C201668	C201668
H5	DOWTY SEAL	4	NA	PS1322/1	PS1322/1	PS1322/1
H6	ORING	1	HB & HC & NA	95602/0075	95602/0075	95602/0075
H7	FILTER ELEMENT	1	HB & HC	--	--	--
H8	FILTER HOUSING	1	HC	--	--	--
H9	PLUG	2	HC	PS1814/2	PS1814/2	PS1814/2
H10	WASHER	3	HC	98660/1152	98660/1152	98660/1152
H11	SETSCREW	2	HC	95018/0174	95018/0174	95018/0174
H12	OIL PRESSURE REGULATOR BODY	1	HC	--	--	--
H13	BALL	1	HC	PS1149/3	PS1149/3	PS1149/3
H14	SPRING	1	HC	98518/1046	98518/1046	98518/1046
H15	PLUG	1	HC	C201080	C201080	C201080
H16	ORING	1	HC & NA	95602/0007	95602/0007	95602/0007
H17	SAFETY VALVE	1	HC	98650/1162	98650/1162	98650/1162
H18	OIL RETURN PIPE ASSEMBLY	1		C201670	C201670	C201670
H19	SIGHT FEED FITTING	1	HD	C200628	C200628	C200628
H20	ORING	2	HD & NA	95602/0008	95602/0008	95602/0008
H21	SIGHT GLASS	1	HD	98281/1001	98281/1001	98281/1001
H22	WASHER	1	HD & NA	98660/1152	98660/1152	98660/1152
H23	OIL RETURN PIPE ASSEMBLY	1		C201671	C201671	C201671
H24	COUPLING	1		C200658	C200658	C200658
H25	TUBING	1		98617/1012	98617/1012	98617/1012
H26	COUPLING	1		98156/1551	98156/1551	98156/1551

5406 STANDARD MACHINE

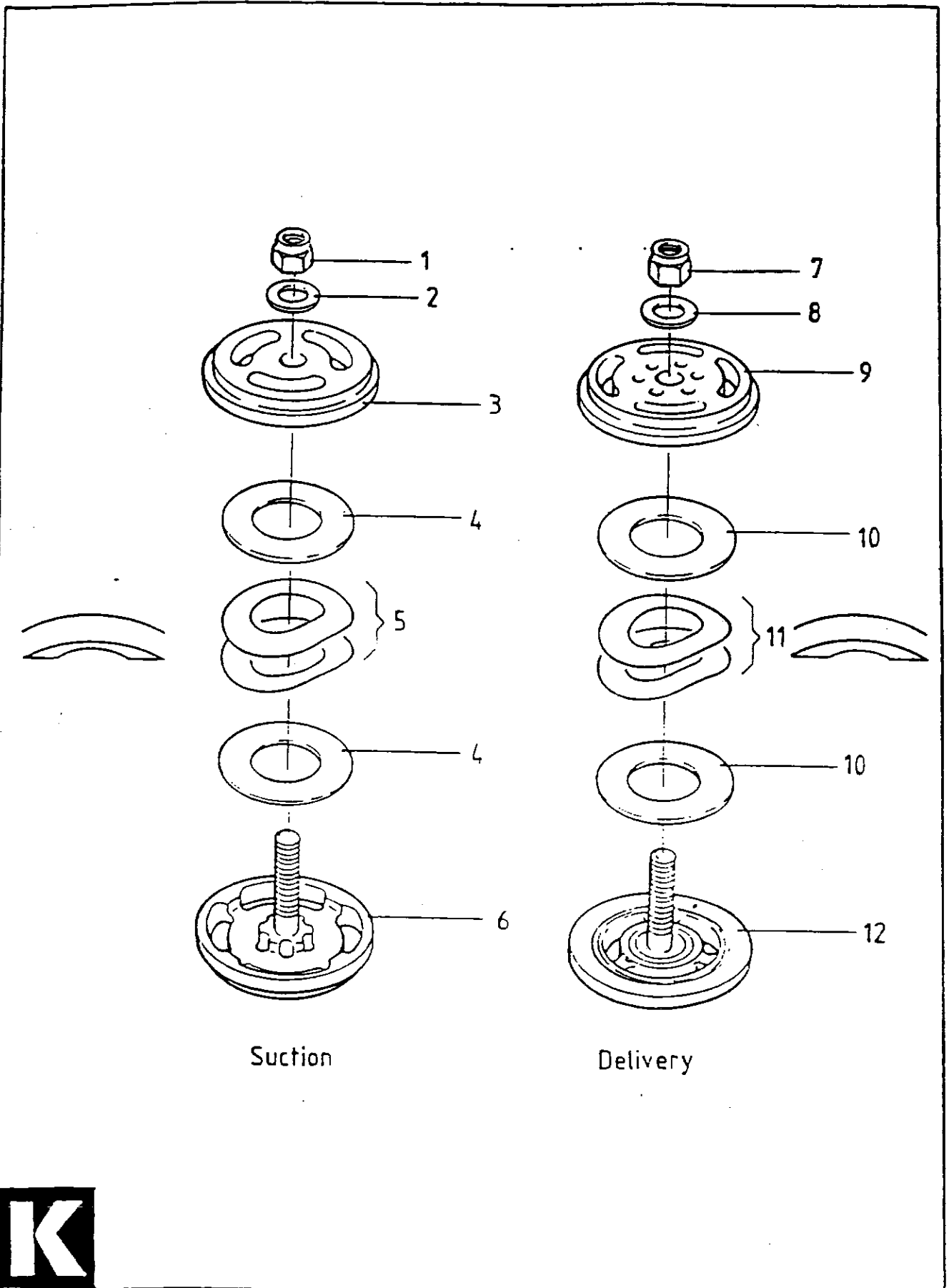


1ST STAGE VALVES

LIST "J"
1 ST STAGE VALVES

ITEM NO.	DESCRIPTION	NO. PER MACHINE	ASSEMBLY REFERENCE	5406 PART NO.	5406E PART NO.	5406EH PART NO.
C29	SUCTION VALVE ASSEMBLY -	1		98650/1179	98650/1179	98650/1179
	COMPRISING OF ITEMS:					
J1	NUT	1	NB	--	--	--
J2	WASHER	1	NB	--	--	--
J3	VALVE SEAT	1		--	--	--
J4	VALVE PLATE	1	NB	98650/1255	98650/1255	98650/1255
J5	LIFT WASHER	1	NB	--	--	--
J6	SPRING PLATE	2	NB	98650/1254	98650/1254	98650/1254
J7	VALVE GUARD	1		--	--	--
J8	BOLT	1	NB	--	--	--
J9	PEG	1		--	--	--
C12	DELIVERY VALVE ASSEMBLY -	1		98650/1180	98650/1180	98650/1180
	COMPRISING OF ITEMS:					
J10	VALVE SEAT	1		--	--	--
J11	LIFT WASHER	1	NB	--	--	--
J12	VALVE PLATE	1	NB	98650/1255	98650/1255	98650/1255
J13	SPRING PLATE	3	NB	98650/1254	98650/1254	98650/1254
J14	VALVE GUARD	1		--	--	--
J15	WASHER	1	NB	--	--	--
J16	NUT	1	NB	--	--	--
J17	STUD	1		--	--	--
J18	PEG	1		--	--	--

5406 STANDARD MACHINE

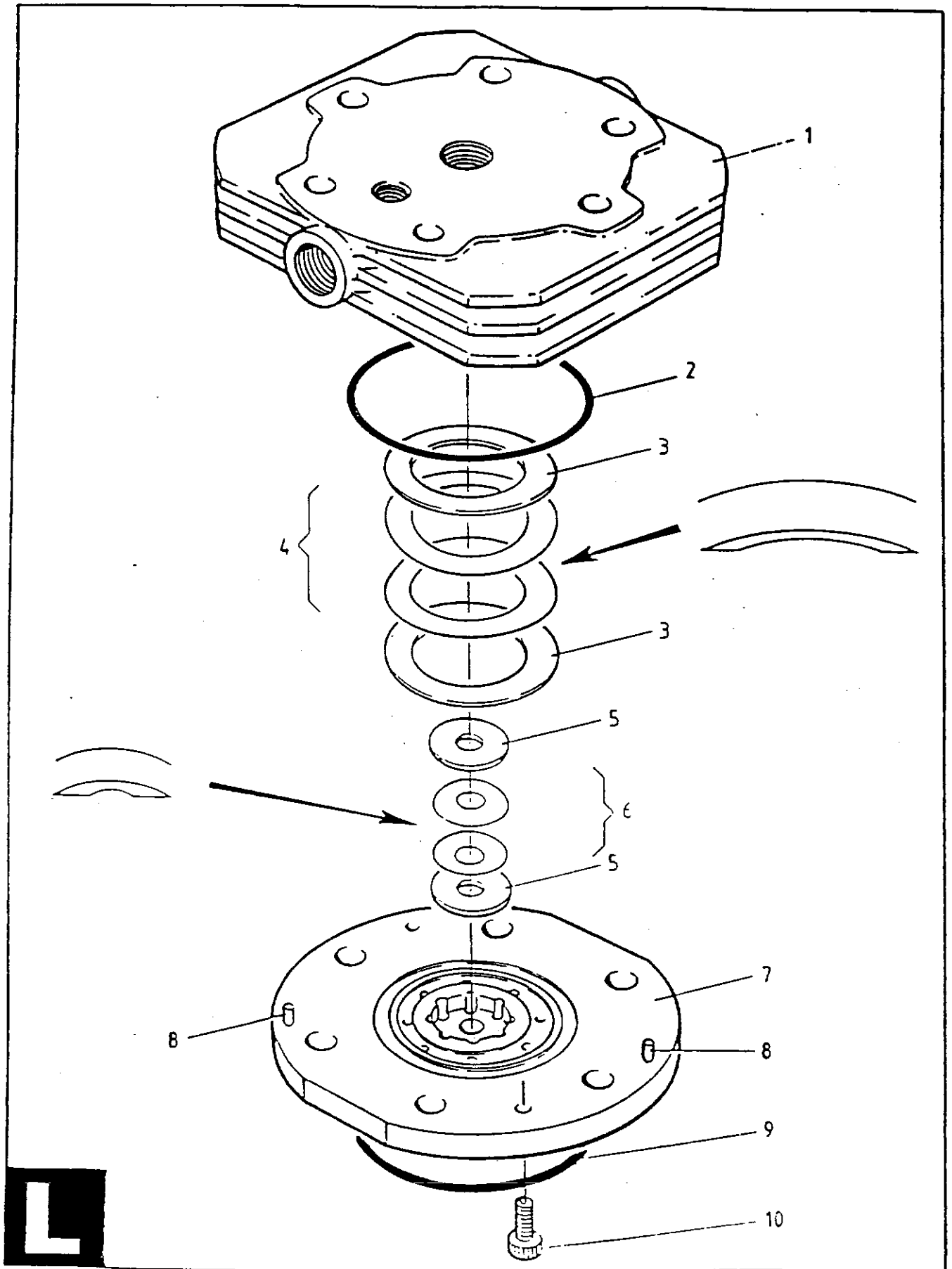


2ND STAGE VALVES

LIST "K"
2ND STAGE VALVES

ITEM NO.	DESCRIPTION	NO. PER MACHINE	ASSEMBLY REFERENCE	5406 PART NO.	5406E PART NO.	5406EH PART NO.
D27	SUCTION VALVE ASSEMBLY -	1		98650/1181	98650/1181	98650/1181
	COMPRISING OF ITEMS:					
K1	NUT	1	NC	--	--	--
K2	WASHER	1	NC	--	--	--
K3	VALVE SEAT	1		--	--	--
K4	VALVE BACKING PLATE	2	NC	98650/1250	98650/1250	98650/1250
K5	VALVE SPRING	3	NC	98650/1249	98650/1249	98650/1249
K6	VALVE GUARD	1		--	--	--
D9	DELIVERY VALVE ASSEMBLY -	1		98650/1182	98650/1182	98650/1182
	COMPRISING OF ITEMS:					
K7	NUT	1	NC	--	--	--
K8	WASHER	1	NC	--	--	--
K9	VALVE GUARD	1		--	--	--
K10	VALVE BACKING PLATE	2	NC	98650/1250	98650/1250	98650/1250
K11	VALVE SPRING	3	NC	98650/1251	98650/1251	98650/1251
K12	VALVE SEAT INCLUDING STUD	1		--	--	--

5406 STANDARD MACHINE

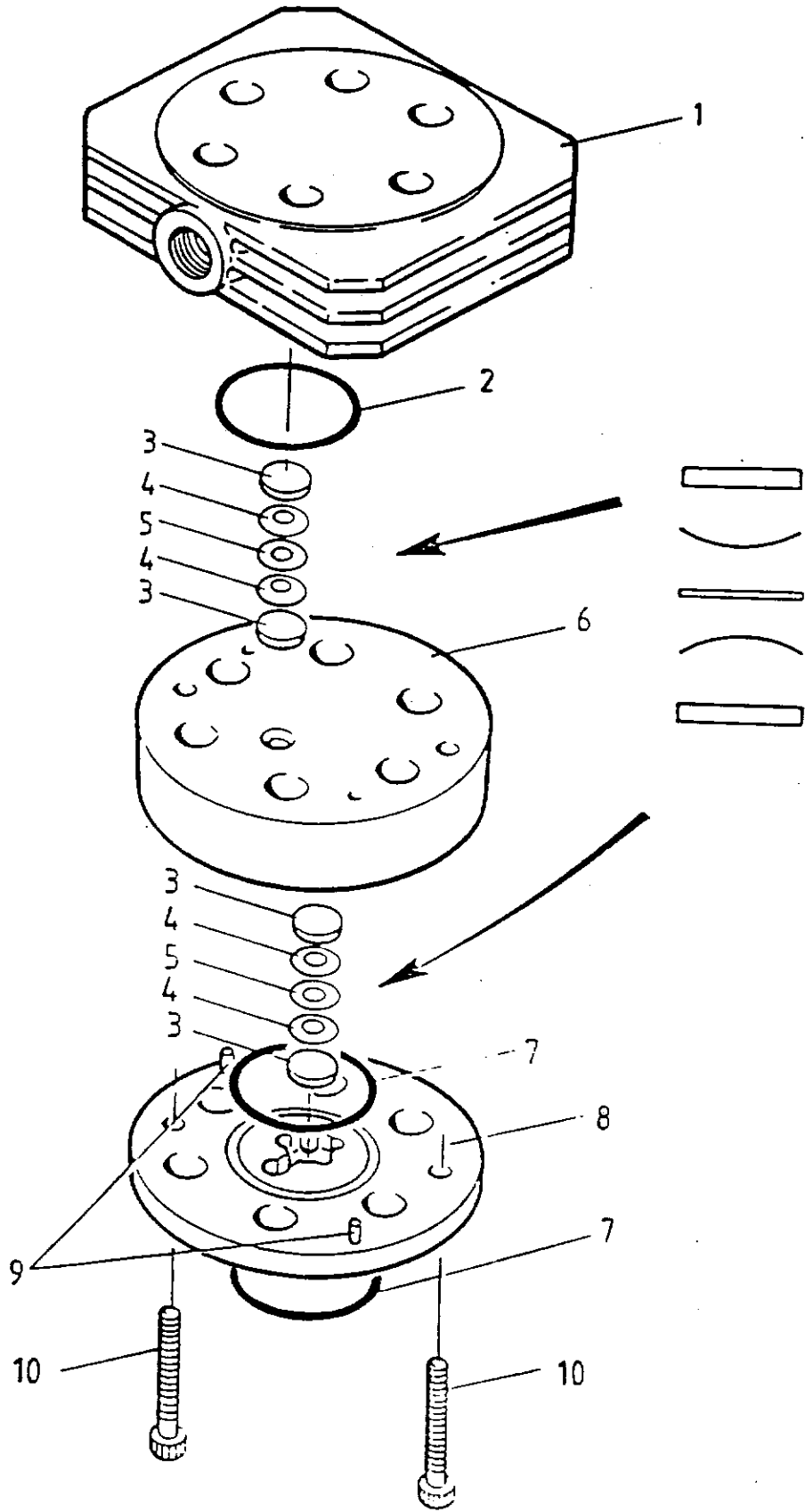


3RD STAGE CONCENTRIC VALVE

LIST "L"
3RD STAGE CONCENTRIC VALVE

ITEM NO.	DESCRIPTION	NO. PER MACHINE	ASSEMBLY REFERENCE	5406 PART NO.	5406E PART NO.	5406EH PART NO.
D21	VALVE ASSEMBLY -	1		98650/1883	98650/1883	98650/1883
	COMPRISING OF ITEMS:					
L1	UPPER BODY	1		--	--	--
L2	ORING	1	ND	95602/0054	95602/0054	95602/0054
L3	VALVE BACKING PLATE - DELIVER	2	ND	98650/1211	98650/1211	98650/1211
L4	SPRING PLATE - DELIVERY	2	ND	98650/1212	98650/1212	98650/1212
L5	VALVE BACKING PLATE - SUCTION	2	ND	98650/1213	98650/1213	98650/1213
L6	SPRING PLATE - SUCTION	2	ND	98650/1214	98650/1214	98650/1214
L7	LOWER BODY	1		--	--	--
L8	PEG	1		--	--	--
L9	ORING	1	ND	95602/0050	95602/0050	95602/0050
L10	SETScrew	2	ND	--	--	--

5406 STANDARD MACHINE



4TH STAGE CONCENTRIC VALVE

LIST "M"
4TH STAGE CONCENTRIC VALVE

ITEM NO.	DESCRIPTION	NO. PER MACHINE	ASSEMBLY REFERENCE	5406 PART NO.	5406E PART NO.	5406EH PART NO.
C14	VALVE ASSEMBLY -	1		C201654	C201654	C201654
	COMPRISING OF ITEMS:					
M1	UPPER BODY	1		--	--	--
M2	ORING	1	NE	95602/0016	95602/0016	95602/0016
M3	VALVE BACKING PLATE - DELIVER	4	NE	98650/1196	98650/1196	98650/1196
M4	SPRING PLATE - SUCTION & DELIV	4	NE	98650/1197	98650/1197	98650/1197
M5	CENTER PLATE - SUCTION & DELIV	2	NE	98650/1198	98650/1198	98650/1198
M6	MIDDLE BODY	1		--	--	--
M7	ORING	2	NE	95602/0018	95602/0018	95602/0018
M8	LOWER BODY	1		98650/1296	98650/1296	98650/1296
M9	PEG	2		--	--	--
M10	SETSCREW	2	NE	--	--	--

**LIST "N"
MAINTENANCE KITS**

ITEM NO.	DESCRIPTION	NO. PER MACHINE	ASSEMBLY REFERENCE	5406 PART NO.	5406E PART NO.	5406EH PART NO.
NA	COMPRESSOR MAINTENANCE	1	A3,6,7,12,14,19,20,25	98504/1119	98504/1119	98504/1119
	GASKET/ORING KIT		C1,6,11,19,19/1,19/2, C21,28,31 D1,7,10,16,19,22,26,29, D31 E7,12,14,18 H1,5,6,16,20,22			
NB	1ST STAGE VALVE MAINTENAN	1	C11,28	98650/1750	98650/1750	98650/1750
	KIT		J1,2,4,5,6,8,11,12,13, J15,16			
NC	2ND STAGE VALVE MAINTENAN	1	D10	98650/1751	98650/1751	98650/1751
	KIT		K1,2,4,5,7,8,10,11			
ND	3RD STAGE VALVE MAINTENAN	1	L2,3,4,5,6,9,10	98650/1215	98650/1215	98650/1215
	KIT					
NE	4TH STAGE VALVE MAINTENAN	1	M2,3,4,5,7,10	98650/1199	98650/1199	98650/1199
	KIT					

18.4 PARTS 5407 and 5407H

When ordering parts, it is important to have the model number and serial number to ensure the proper parts are chosen.

The digits of the serial number will identify the block. Go to the section designated for that particular block number and use column beneath the listing for parts pertaining to that unit. If in doubt, contact MAKO.

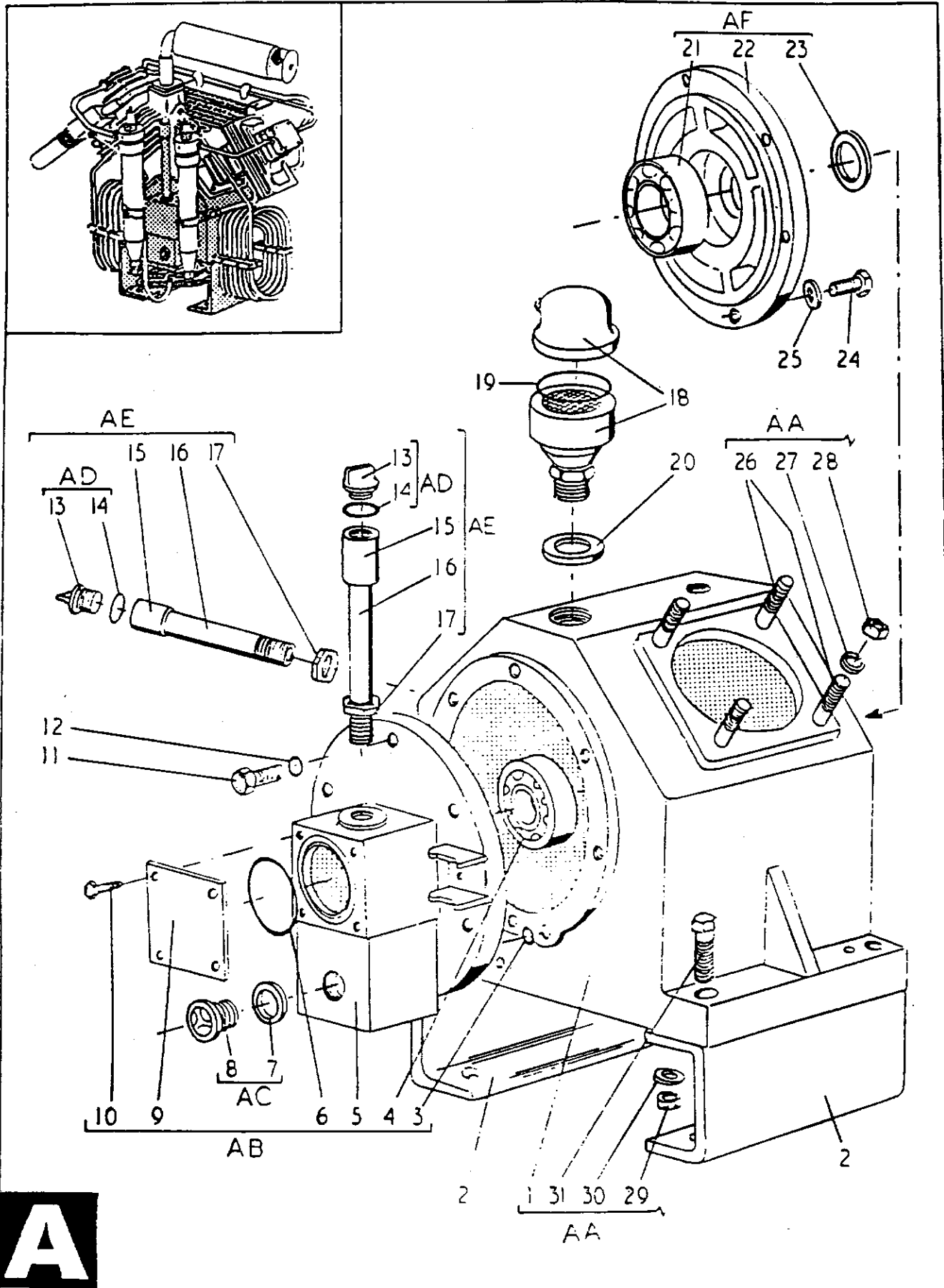
**FOR EXAMPLE: SERIAL NUMBER 5407 XXX OR 5407 XXXX
 USE COLUMNS WITH 5407HEADER**

**SERIAL NUMBER 5407H XXX OR 5407H XXXX
USE COLUMNS WITH 5407H HEADER**

Standard parts are available where indicated by either a number or letters. The letters indicate that an item is available as a component of an assembly. Items indicated with an "--" are available as part of an assembly or kit only.

The right is reserved to modify the contents of this parts list without notice and the information given is in no way binding on the manufacturers.

5407 STANDARD MACHINE



A

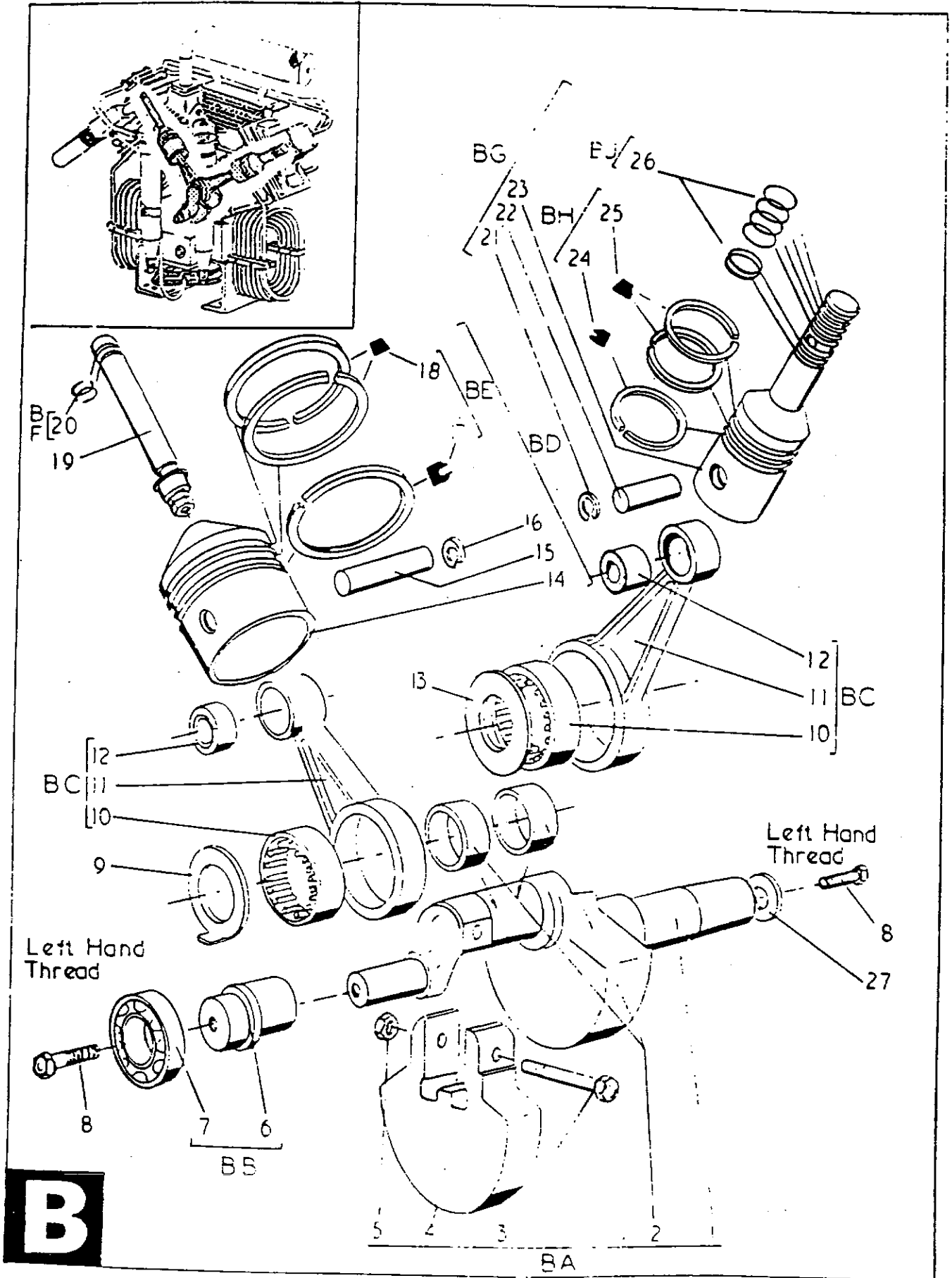
CRANKCASE

LIST "A"
CRANKCASE

ITEM NO.	DESCRIPTION	NO. PER MACHINE	ASSEMBLY REFERENCE	5407 PART NO.	5407H PART NO.
AA	CRANKCASE ASSEMBLY	1	A1,26,27,28,29,30,31	E60420/50	E60420/50
AB	BEARING HOUSING ASSEMBLY	1	A3,4,5,6,7,8,9,10	D100213/50	D100213/50
AC	OIL LEVEL INDICATOR SET PRE 1989	1	A7,8	98540/1001	
AC	OIL LEVEL INDICATOR SET AFTER 19	1	A7,8	C202452	C202452
AD	OIL DRAIN/FILLER PLUG SET	2	A13,14	98442/1037	98442/1037
AE	OIL DRAIN/FILLER ASSEMBLY	2	A13,14,15,16,17	C200562/3/100	C200562/3/100
AF	BEARING HOUSING ASSEMBLY	1	A21,22,23	D100255/100	D100255/100

ITEM NO.	DESCRIPTION	NO. PER MACHINE	ASSEMBLY REFERENCE	5407 PART NO.	5407H PART NO.
A1	CRANKCASE	1	AA	--	--
A2	MOUNTING BRACKET	2		C200937	C200937
A3	ORING	2	AB & NA	95602/0041	95602/0041
A4	ROLLER BEARING	1	AB	98076/1019	98076/1019
A5	BEARING HOUSING	1	AB	D100213/50	D100213/50
A6	ORING	1	AB & NA	95602/0061	95602/0061
A7	FIBER WASHER	1	AB & AC & NA	95640/0014	95640/0014
A8	OIL LEVEL INDICATOR	1	AB & AC	--	--
A9	END COVER	1	AB	C200645	C200645
A10	SETSCREW	4	AB	95000/0257	95000/0257
A11	SETSCREW	6		95000/0256	95000/0256
A12	SCREW SEAL	6	NA	PT6495/56	PT6495/56
A13	OIL DRAIN PLUG	2	AD & AE	PS1990	PS1990
A14	ORING	2	AD & AE & NA	95602/0040	95602/0040
A15	PIPE SOCKET	2	AE	C200562/3	C200562/3
A16	PIPE	2	AE	C201768	C201768
A17	BACKNUT	2	AE	PS1290/3	PS1290/3
A18	CRANKCASE BREATHER	1		98262/1035	98262/1035
A19	ORING	1	NA	95602/0058	95602/0058
A20	FIBER WASHER	1	NA	95640/0009	95640/0009
A21	ROLLER BEARING	1	AF	98076/1044	98076/1044
A22	BEARING HOUSING	1	AF	--	--
A23	OIL SEAL	1	AF	98505/1009	98505/1009
A24	SETSCREW	6		95000/0256	95000/0256
A25	SCREW SEAL	6	NA	PT6495/56	PT6495/56
A26	STUD	8	AA	D54109/8/28	D54109/8/28
A27	LOCKWASHER	8	AA	95187/0020	95187/0020
A28	NUT	8	AA	PS1113/13	PS1113/13
A29	NUT	4	AA	95111/0006	95111/0006
A30	TAPER WASHER	4	AA	PS1742/2	PS1742/2
A31	SETSCREW	4	AA	95000/0289	95000/0289

5407 STANDARD MACHINE



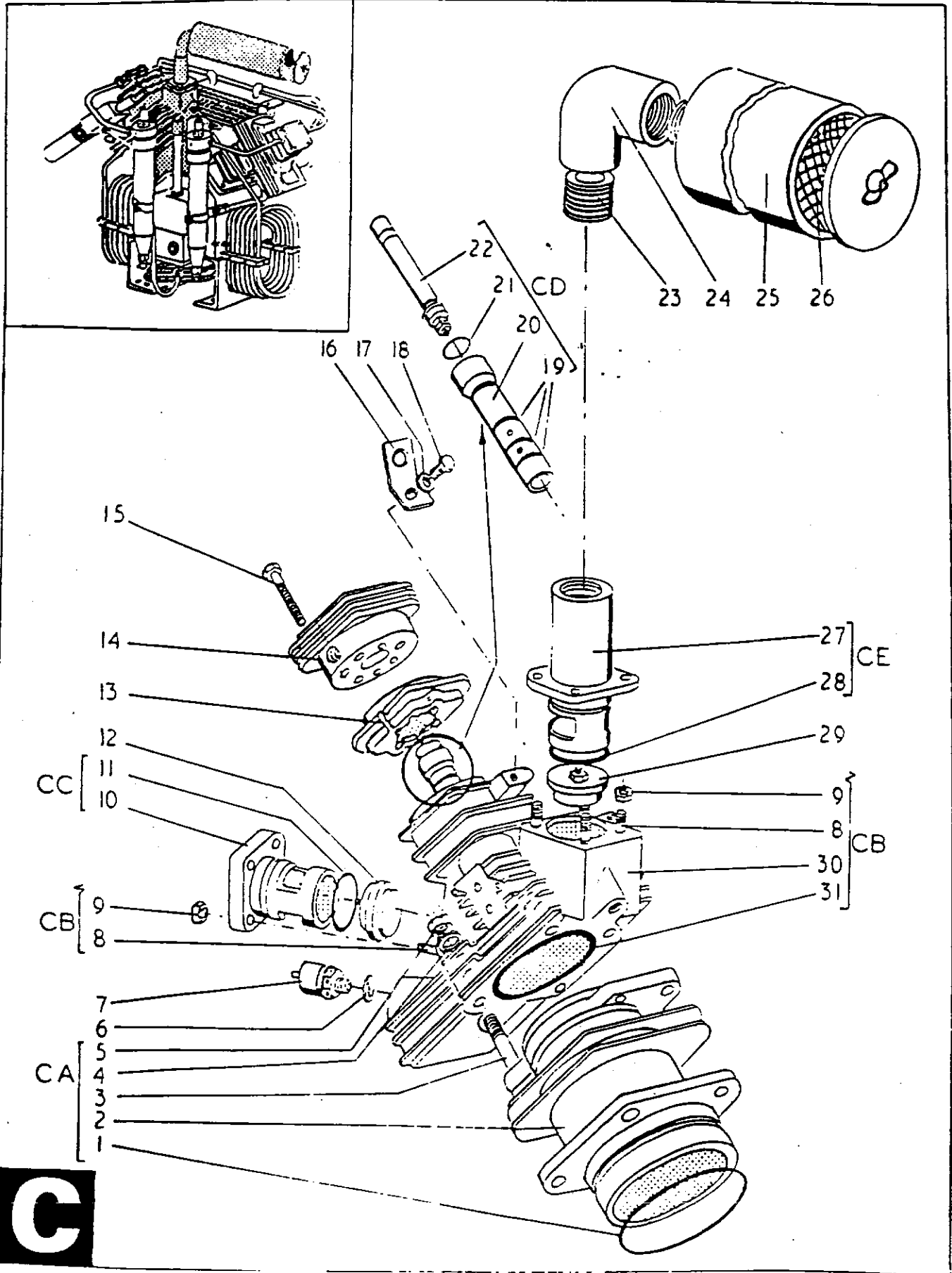
RUNNING GEAR

LIST "B"
RUNNING GEAR

ITEM NO.	DESCRIPTION	NO. PER MACHINE	ASSEMBLY REFERENCE	5407 PART NO.	5407H PART NO.
BA	CRANKSHAFT ASSEMBLY	1	B1,2,3,4,5	D100428	D100428
BB	OIL PUMP CAM ASSEMBLY	1	B6,7	C201452	C201452
BC	CONNECTING ROD ASSEMBLY	2	B10,11,12	D100284	D100284
BD	PISTON ASSEMBLY - 1ST STAGE	1	B14,15,16,17,18	D100429	D100429
BE	PISTON RING SET - 1ST STAGE	1	B17,18	98477/1090	98477/1090
BF	PISTON RING SET - 4TH STAGE	1	B20	98477/1093	98477/1093
BG	PISTON ASSEMBLY-2ND & 3RD STG	1	B21,22,23,24,25,26	D100268/50	D100268/50
BH	PISTON RING SET - 2ND STAGE	1	B24,25	98477/1091	98477/1091
BJ	PISTON RING SET - 3RD STAGE	1	B26	98477/1092	98477/1092

ITEM NO.	DESCRIPTION	NO. PER MACHINE	ASSEMBLY REFERENCE	5407 PART NO.	5407H PART NO.
B1	CRANKSHAFT	1	BA	--	--
B2	BIG END BEARING - INNER RACE	2	BA	98076/1064	98076/1064
B3	BOLT	1	BA	95006/0155	95006/0155
B4	BALANCE WEIGHT	1	BA	--	--
B5	LOCKNUT	1	BA	98422/1009	98422/1009
B6	OIL PUMP CAM	1	BB	C201452	C201452
B7	BALL BEARING	1	BB	96004/0013	96004/0013
B8	SETSCREW	2		98500/1003	98500/1003
B9	SPACER WASHER	1		98660/1145	98660/1145
B10	BIG END BEARING	2	BC	98076/1045	98076/1045
B11	CONNECTING ROD	2	BC	--	--
B12	SMALL END BEARING	2	BC	96072/0046	96072/0046
B13	BIG END SPACER	1		98660/1064	98660/1064
B14	PISTON - 1ST STAGE	1	BD	--	--
B15	GUDGEON PIN	1	BD	--	--
B16	CIRCLIP	2	BD	--	--
B17	PISTON RING - 1ST STAGE	-	BD & BE	--	--
B18	PISTON RING - 1ST STAGE	-	BD & BE	--	--
B19	PLUNGER/LINER - 4TH STAGE	1	CD	--	--
B20	PISTON RING - 4TH STAGE	-	BF & CD	--	--
B21	CIRCLIP	2	BG	--	--
B22	GUDGEON PIN	1	BG	--	--
B23	PISTON - 2ND & 3RD STAGE	1	BG	--	--
B24	PISTON RING - 2ND STAGE	-	BG & BH	--	--
B25	PISTON RING - 2ND STAGE	-	BG & BH	--	--
B26	PISTON RING - 3RD STAGE	-	BG & BJ	--	--
B27	WASHER	1		98660/1092	98660/1092

5407 STANDARD MACHINE



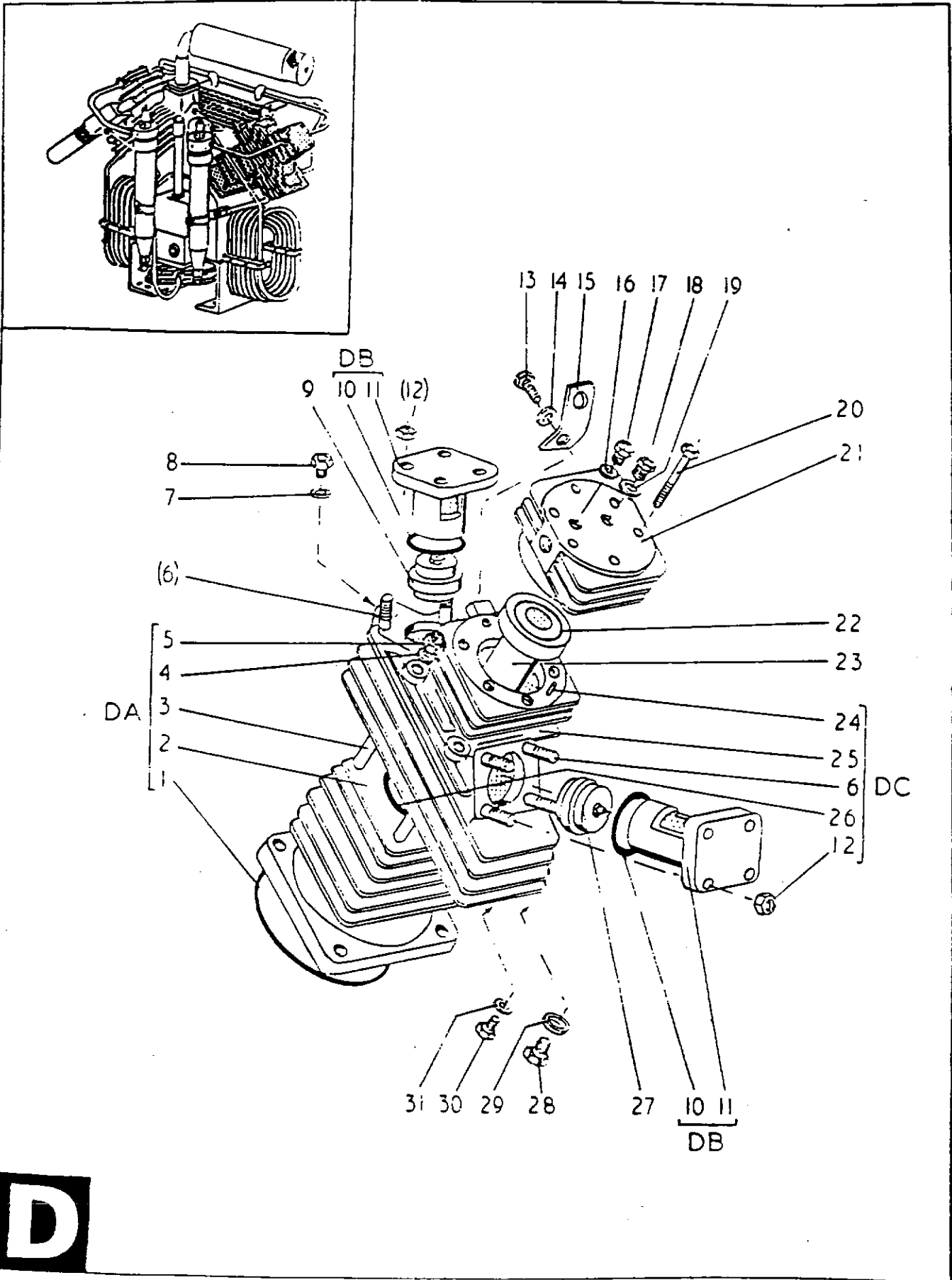
1ST & 4TH STAGE CYLINDERS

LIST "C"
1ST AND 4TH STAGE CYLINDERS

ITEM NO.	DESCRIPTION	NO. PER MACHINE	ASSEMBLY REFERENCE	5407 PART NO.	5407H PART NO.
CA	CYLINDER ASSEMBLY-1ST STAGE	1	C1,2,3,4,5	D100259/100	D100259/100
CB	CYLINDER COVER ASSY-1ST STAGE	1	C8,9,30,31	D100775	E60851/100
CC	VALVE COVER-1ST STAGE DELIVERY	1	C10,11	C200815/100	C200815/100
CD	LINER/PLUNGER ASSEMBLY-4TH STA	1	C19,20,21,22	C201356	C202260
CE	VALVE COVER-1ST STAGE SUCTION	1	C27,28	C200814/100	C200814/100

ITEM NO.	DESCRIPTION	NO. PER MACHINE	ASSEMBLY REFERENCE	5407 PART NO.	5407H PART NO.
C1	ORING	1	CA & NA	95602/0090	95602/0090
C2	CYLINDER	1	CA	--	--
C3	STUD	4	CA	D100171/8/96	D100171/8/96
C4	WASHER	4	CA	95148/0014	95148/0014
C5	NUT	4	CA	95111/0005	95111/0005
C6	DOWTY SEAL	1	CA	PS1322/2	PS1322/2
C7	SAFETY VALVE - 1ST STAGE	1		98650/11635.9	98650/11635.9
C8	STUD	8	CB	D100171/6/28	D100171/6/28
C9	NUT	8	CB	95111/0004	95111/0004
C10	VALVE COVER	1	CC	--	--
C11	ORING	1	CC & NA	95602/0057	95602/0057
C12	DELIVERY VALVE	1		98650/1248	98650/1248
C13	COOLING RING	1		C200546	C200546
C14	VALVE ASSEMBLY	1		C201654	C201654
C15	SETSCREW	6		98086/1016	98086/1016
C16	LIFTING LUG	1		C200607/1	C200607/1
C17	WASHER	1		95179/0006	95179/0006
C18	SETSCREW	1		95000/0257	95000/0257
C19	ORING	3	CD & NA	95602/0015	
C19	ORING	1	CD & NA		95602/0015
C19/1	ORING	1	CD & NA		95602/0017
C19/2	ORING	1	CD & NA		95602/0041
C20	LINER	1	CD	--	--
C21	ORING	1	CD & NA	95602/0018	95602/0018
C22	PLUNGER ASSEMBLY	1	CD	--	--
C23	NIPPLE	1		95414/0166	95414/0166
C24	ELBOW	1		95405/0006	95405/0006
C25	SUCTION FILTER WITH HOUSING	1		98262/1075	
C25	SUCTION FILTER WITH HOUSING	1		X0223	X0223
C26	SUCTION FILTER ELEMENT	1		98262/1060	
C26	SUCTION FILTER ELEMENT	1		X0225	X0225
C27	VALVE COVER	1	CE	--	--
C28	ORING	1	CE & NA	95602/0057	95602/0057
C29	VALVE ASSEMBLY	1		98650/1247	98650/1247
C30	CYLINDER COVER	1	CB	--	--
C31	ORING	1	CB & NA	95602/0090	95602/0090

5407 STANDARD MACHINE



D

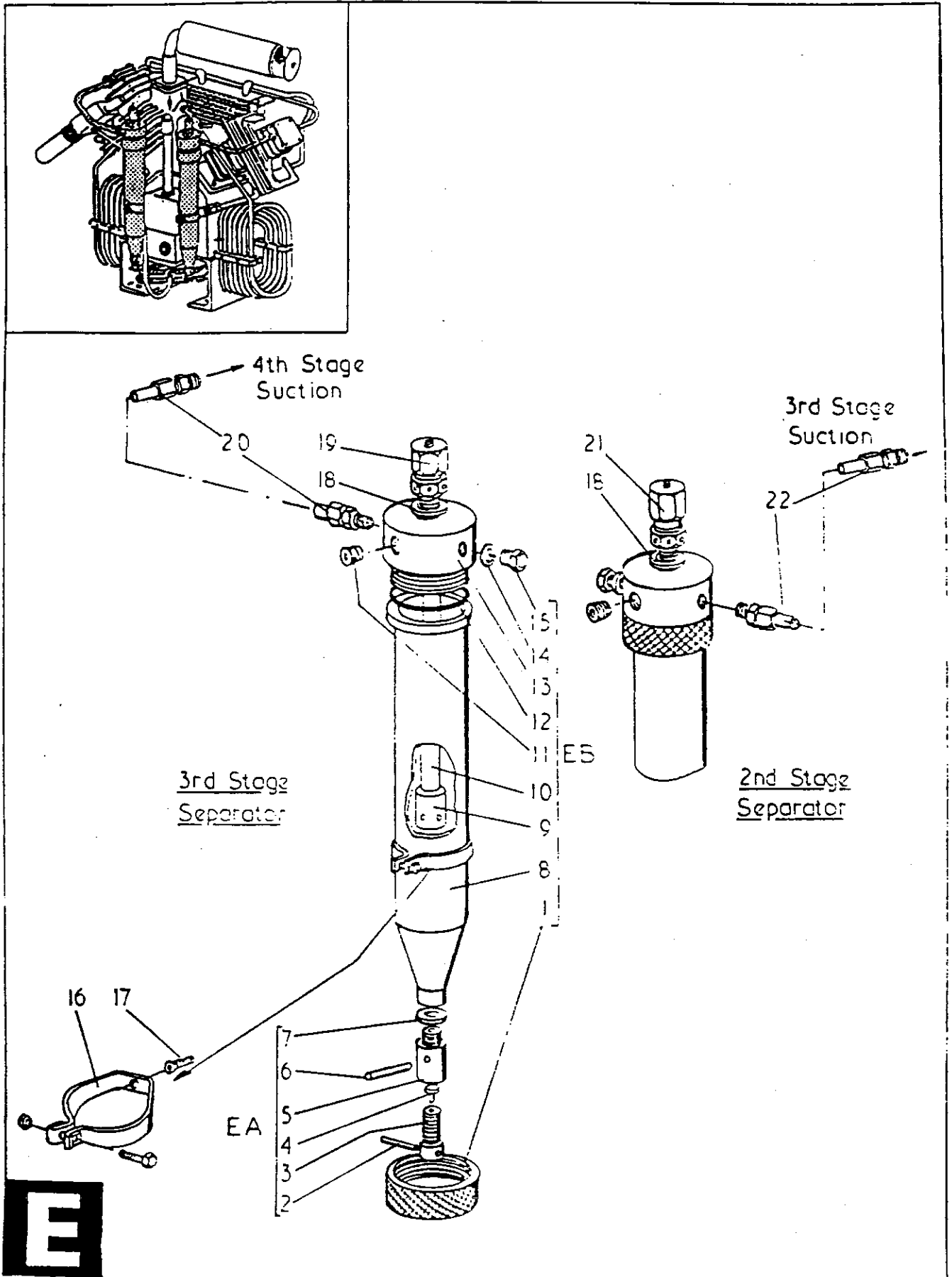
2ND & 3RD STAGE CYLINDERS

LIST "D"
2ND AND 3RD STAGE CYLINDERS

ITEM NO.	DESCRIPTION	NO. PER MACHINE	ASSEMBLY REFERENCE	5407 PART NO.	5407H PART NO.
DA	CYLINDER ASSEMBLY-2ND STAGE	1	D1,2,3,4,5	D100119/100	D100119/100
DB	CYLINDER COVER ASSY-2ND STAGE	1	D6,12,24,25,26	E60278/100	E60278/100
DC	VALVE COVER ASSEMBLY-2ND STAG	2	D10, 11	C200604/100	C200604/100

ITEM NO.	DESCRIPTION	NO. PER MACHINE	ASSEMBLY REFERENCE	5407 PART NO.	5407H PART NO.
D1	ORING	1	DA & NA	95602/0087	95602/0087
D2	CYLINDER	1	DA	--	--
D3	STUD	4	DA	D100171/8/91	D100171/8/91
D4	WASHER	4	DA	95148/0014	95148/0014
D5	NUT	4	DA	95111/0005	95111/0005
D6	STUD	8	DB	D100171/6/28	D100171/6/28
D7	DOWTY SEAL	1	DB & NA	PS1322/2	PS1322/2
D8	PLUG	1	DB	PS1814/4	PS1814/4
D9	DELIVERY VALVE	1		98650/1182	98650/1182
D10	ORING	2	DC & NA & NB	95602/0020	95602/0020
D11	VALVE COVER	2	DC	--	--
D12	NUT	4	DB	95111/0004	95111/0004
D13	SETSCREW	1		95000/0257	95000/0257
D14	WASHER	1		95179/0006	95179/0006
D15	LIFTING LUG	1		C200607/1	C200607/1
D16	DOWTY SEAL	1	NA	PS1322/2	PS1322/2
D17	PLUG	1		PS1814/4	PS1814/4
D18	PLUG	1		PS1814/2	PS1814/2
D19	DOWTY SEAL	1	NA	PS1322/1	PS1322/1
D20	SETSCREW	6		95000/0262	95000/0262
D21	VALVE ASSEMBLY	1		98650/1883	98650/1883
D22	ORING	1	NA	95602/0050	95602/0050
D23	LINER	1		C200525	C200525
D24	TENSION PIN	1	DB	95541/0160	95541/0160
D25	CYLINDER COVER	1	DB	--	--
D26	ORING	1	DB & NA	95602/0056	95602/0056
D27	SUCTION VALVE	1		98650/1181	98650/1181
D28	PLUG	1		PS1814/4	PS1814/4
D29	DOWTY SEAL	1	NA	PS1322/2	PS1322/2
D30	PLUG	1		PS1814/2	PS1814/2
D31	DOWTY SEAL	1	NA	PS1322/1	PS1322/1

5407 STANDARD MACHINE



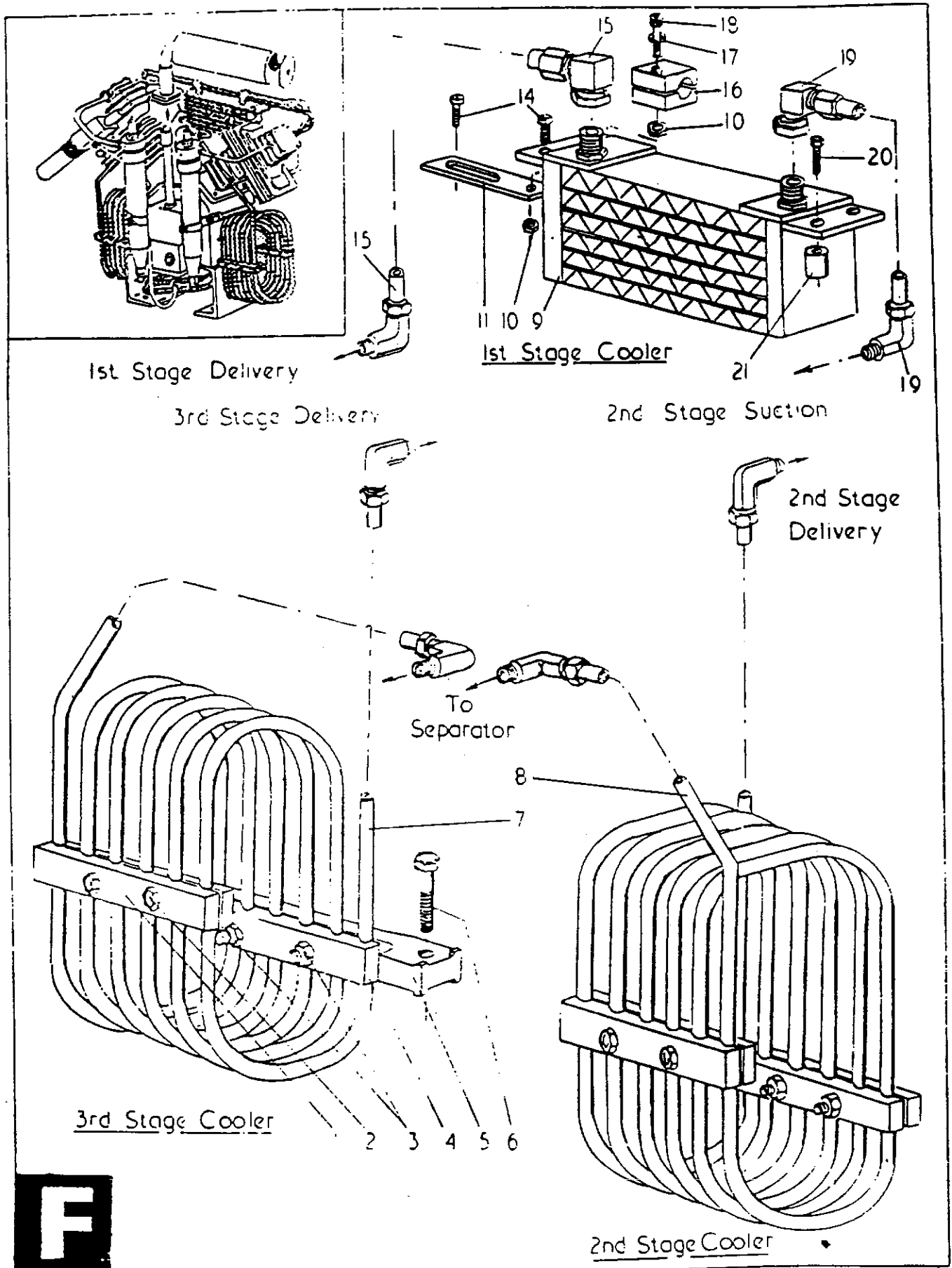
2ND & 3RD STAGE SEPARATORS

LIST "E"
2ND AND 3RD STAGE SEPARATORS

ITEM NO.	DESCRIPTION	NO. PER MACHINE	ASSEMBLY REFERENCE	5407 PART NO.	5407H PART NO.
EA	SEPARATOR VALVE ASSEMBLY	2	E2,3,4,5,6,7	C200657/2/50	C200657/2/50
EB	SEPARATOR BODY ASSEMBLY	2	E1,8,9,10,11,12,13,14,15	D100291	D100291

ITEM NO.	DESCRIPTION	NO. PER MACHINE	ASSEMBLY REFERENCE	5407 PART NO.	5407H PART NO.
E1	SEPARATOR COLLAR NUT	2	EB	C200650	C200650
E2	TENSION PIN	2	EA	95540/0172	95540/0172
E3	VALVE SCREW	2	EA	C200656/2	C200656/2
E4	VALVE	2	EA	C200656/3	C200656/3
E5	DRAIN BODY	2	EA	--	--
E6	BRANCH PIPE	2	EA	C200657/3	C200657/3
E7	DOWTY SEAL	2	EA & NA	98504/1051	98504/1051
E8	SEPARATOR BODY	2	EB	D100538	D100538
E9	SEPARATOR DEFLECTOR	2	EB	--	--
E10	SEPARATOR DOWNPIPE	2	EB	--	--
E11	PRESSURE PLUG	2	EB	PS1454/2	PS1454/2
E12	ORING	2	EB & NA	95602/0051	95602/0051
E13	SEPARATOR COVER	2	EB	C200666	C200666
E14	DOWTY SEAL	2	EB & NA	PS1322/1	PS1322/1
E15	PLUG	2		PS1814/2	PS1814/2
E16	SEPARATOR CLIP ASSEMBLY	2		98150/1006	98150/1006
E17	SCREW-COUNTERSUNK	1		95028/0134	95028/0134
E17/1#	SCREW-COUNTERSUNK	1		95028/0133	95028/0133
E18	DOWTY SEAL	2	NA	PS1322/2	PS1322/2
E19	SAFETY VALVE-3RD STAGE	1		98650/116497	98650/116497
E20	SUCTION PIPE ASSEMBLY	1		C201192	C201192
E21	SAFETY VALVE - 2ND STAGE	1		98650/116327	98650/116327
E22	SUCTION PIPE ASSEMBLY	1		C201191	C201191

5407 STANDARD MACHINE

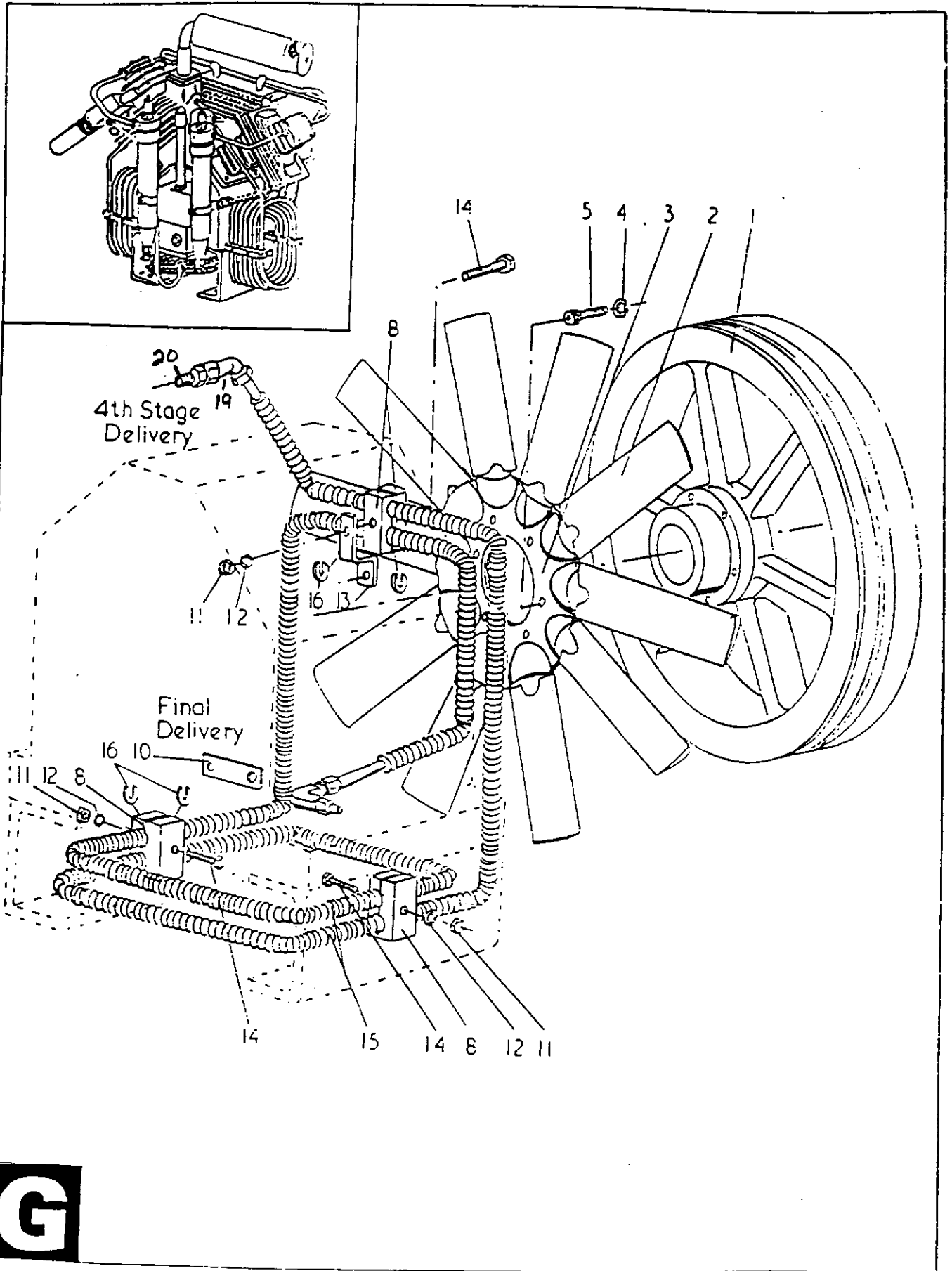


1ST, 2ND & 3RD STAGE COOLERS

LIST "F"
1ST, 2ND & 3RD STAGE COOLERS

ITEM NO.	DESCRIPTION	NO. PER MACHINE	ASSEMBLY REFERENCE	5407 PART NO.	5407H PART NO.
F1	COOLER CLAMP	4		C200576	C200576
F2	SETSCREW	8		95018/0174	95018/0174
F3	NUT	8		95111/0004	95111/0004
F4	COOLER CLAMP	2		C200576	C200576
F5	COOLER BRACKET	2		D100320	D100320
F6	SETSCREW	2		95000/0258	95000/0258
F7	COOLER COIL - 3RD STAGE	1		E60495	E60495
F8	COOLER COIL - 2ND STAGE	1		E60391	E60494
F9	COOLER - 1ST STAGE	1		C201604	C201604
F10	NUT	2		95111/0004	95111/0004
F11	CLIP	1		C201199	C201199
F12	NOT USED	-		--	--
F13	SETSCREW	1		95000/0227	95000/0227
F14	SETSCREW	2		95000/0227	95000/0227
F15	DELIVERY PIPE ASSEMBLY	1		C201189	C201189
F16	PIPE CLAMP	1		98150/1040	98150/1040
F17	WASHER	1		95148/0013	95148/0013
F18	SETSCREW	1		95018/0170	95018/0170
F19	SUCTION PIPE ASSEMBLY	1		C201190	C201190
F20	SETSCREW	1		95000/0231	95000/0231
F21	SPACER TUBE	1		C201200/2	C201200/2

5407 STANDARD MACHINE



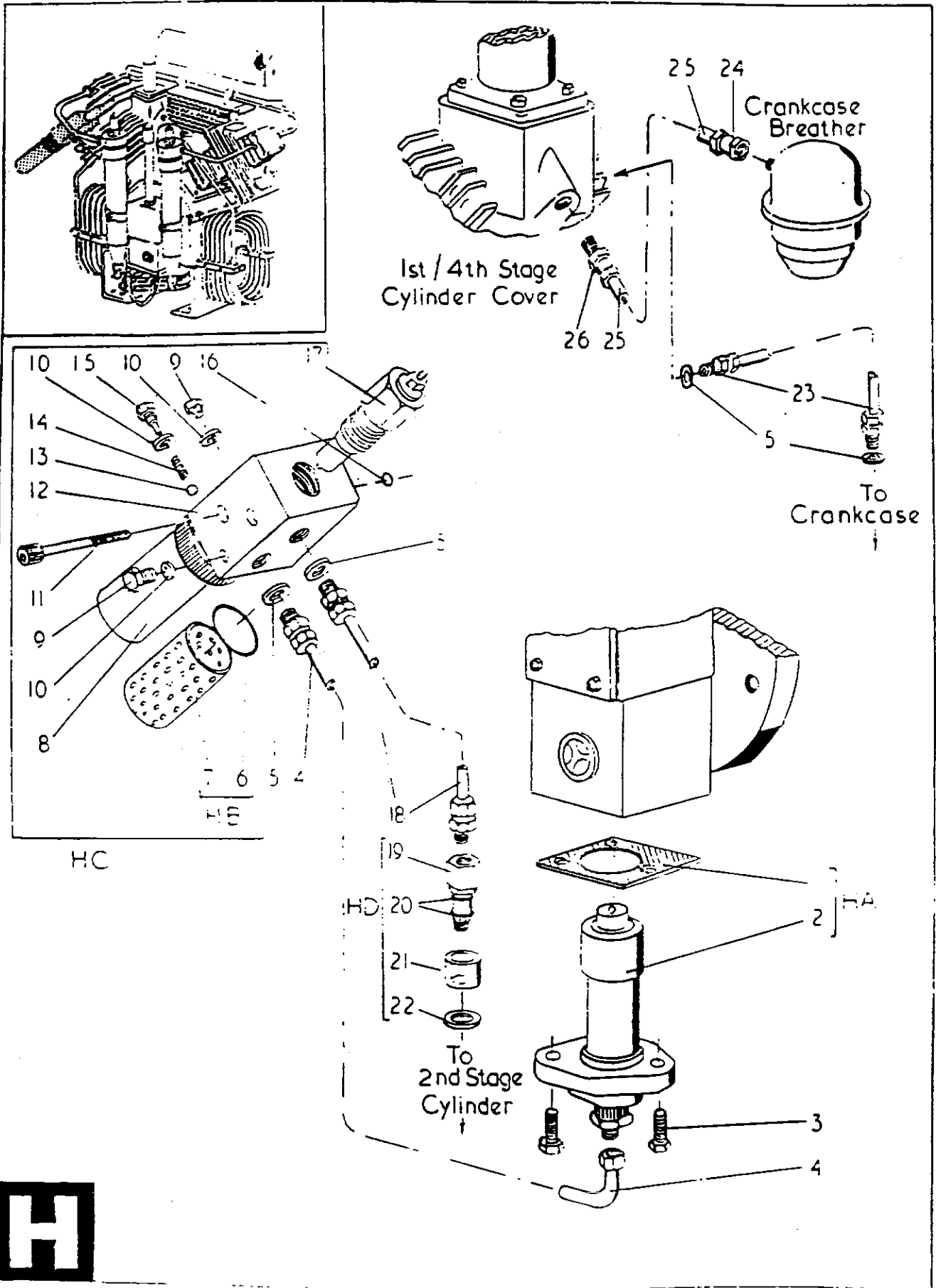
4TH STAGE COOLER & FLYWHEEL

LIST "G"
4TH STAGE COOLER AND FLYWHEEL

ITEM NO.	DESCRIPTION	NO. PER MACHINE	ASSEMBLY REFERENCE	5407 PART NO.	5407H PART NO.
G1	FLYWHEEL	1		E60354	E60354
G2	FAN BLADE - RED	10		98084/1005	98084/1005
G2	FAN BLADE - BLACK	10		98084/1032	98084/1032
G3	FAN	1		98084/1003	98084/1003
G4	LOCKWASHER	6		95179/0005	95179/0005
G5	SETSCREW	6		95018/0168	95018/0168
G6	NOT USED	--		NOT USED	NOT USED
G7	NOT USED	--		NOT USED	NOT USED
G8	COOLER CLIP	6		C200587	C200587
G9	SETSCREW	--		--	--
G10	SUPPORT PLATE	1		C201827	C201827
G11	NUT	3		95111/0004	95111/0004
G12	LOCKWASHER	3		95179/0005	95179/0005
G13	COOLER BRACKET	1		C201009	C201009
G14	SETSCREW	3		95000/0234	95000/0234
G15	COOLER COIL ASSEMBLY	1		E60496	E60876
G16	SUPPORT WASHER	24		98660/1109	98660/1109
G17*	FLYWHEEL BOLT-LEFT HAND THRE	1		98500/1003	98500/1003
G18*	WASHER FOR G17	1		98660/1092	98660/1092
G19	4TH STAGE SWIVEL ELBOW	1		98156/1604	98156/1604
G20	ADAPTER-TEMP SWITCH	1		98156/2809	98156/2809

*NOT SHOWN

5407 STANDARD MACHINE



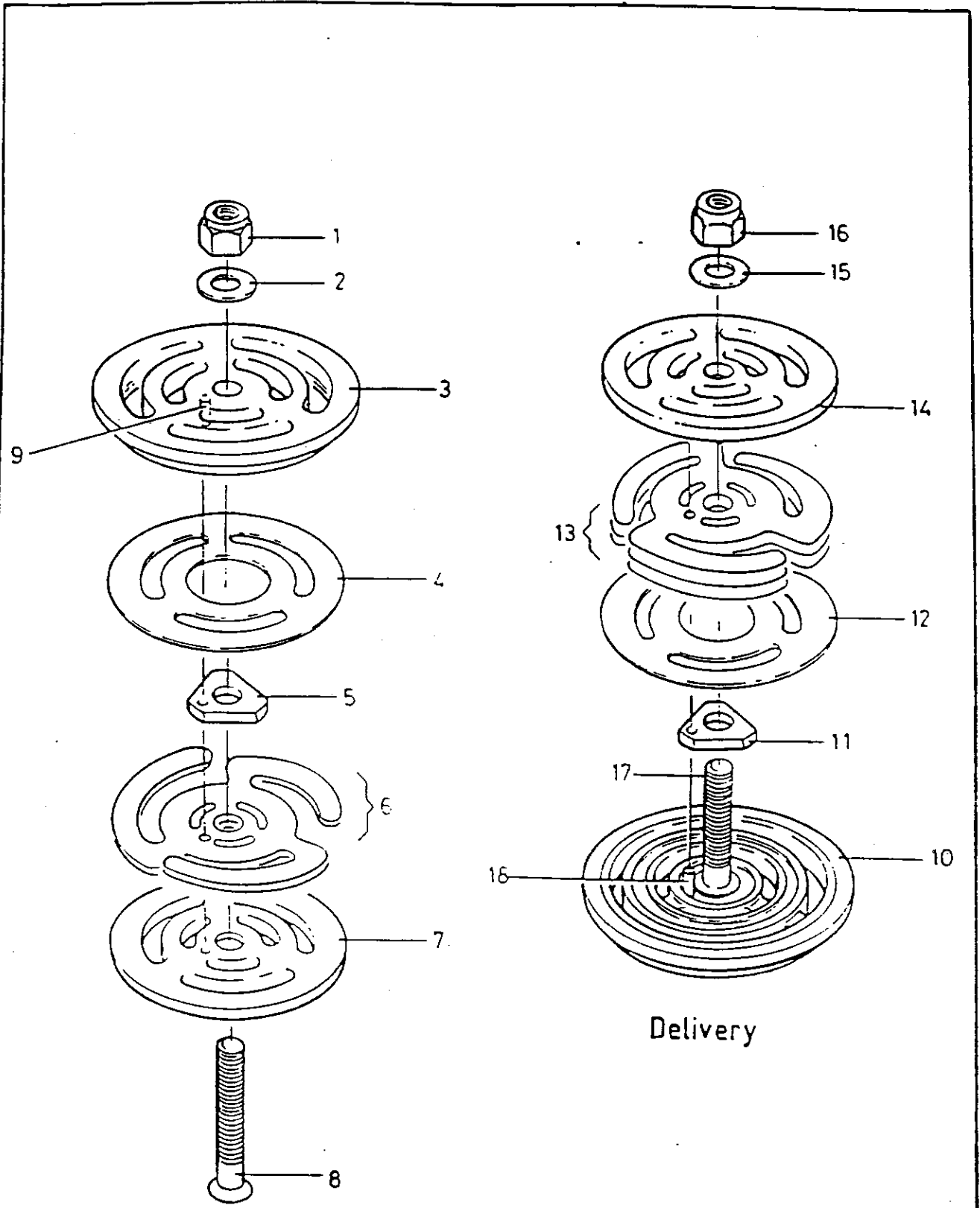
LUBRICATION

LIST "H"
LUBRICATION

ITEM NO.	DESCRIPTION	NO. PER MACHINE	ASSEMBLY REFERENCE	5407 PART NO.	5407H PART NO.
HA	OIL PUMP ASSEMBLY	1	H1,2	98446/1050	98446/1050
HB	OIL FILTER ASSEMBLY	1	H6,7	98262/1148	98262/1148
HC	OIL REGULATOR ASSEMBLY	1	H6,7,8,9,10,11,12, 13,14,15,16,17	D100406	D100406
HD	OIL SIGHT GLASS ASSEMBLY	1	H19,20,21,22	C201218	C201218

ITEM NO.	DESCRIPTION	NO. PER MACHINE	ASSEMBLY REFERENCE	5407 PART NO.	5407H PART NO.
H1	GASKET	1	HA & NA	98502/1017	98502/1017
H2	OIL PUMP	1	HA	--	--
H3	SETSCREW	3		95000/0256	95000/0256
H4	OIL FEED PIPE ASSEMBLY	1		C201668	C201668
H5	DOWTY SEAL	4	NA	PS1322/1	PS1322/1
H6	ORING	1	HB & HC & NA	95602/0075	95602/0075
H7	FILTER ELEMENT	1	HB & HC	--	--
H8	FILTER HOUSING	1	HC	--	--
H9	PLUG	2	HC	PS1814/2	PS1814/2
H10	WASHER	3	HC	98660/1152	98660/1152
H11	SETSCREW	2	HC	95018/0174	95018/0174
H12	OIL PRESSURE REGULATOR BODY	1	HC	--	--
H13	BALL	1	HC	PS1149/3	PS1149/3
H14	SPRING	1	HC	98518/1046	98518/1046
H15	PLUG	1	HC	C201080	C201080
H16	ORING	1	HC & NA	95602/0007	95602/0007
H17	SAFETY VALVE	1	HC	98650/1162	98650/1162
H18	OIL RETURN PIPE ASSEMBLY	1		C201670	C201670
H19	SIGHT FEED FITTING	1	HD	C200628	C200628
H20	ORING	2	HD & NA	95602/0008	95602/0008
H21	SIGHT GLASS	1	HD	98281/1001	98281/1001
H22	WASHER	1	HD & NA	98660/1152	98660/1152
H23	OIL RETURN PIPE ASSEMBLY	1		C201671	C201671
H24	COUPLING	1		C200658	C200658
H25	TUBING	1		98617/1012	98617/1012
H26	COUPLING	1		98156/1551	98156/1551

5407 STANDARD MACHINE



J

Suction

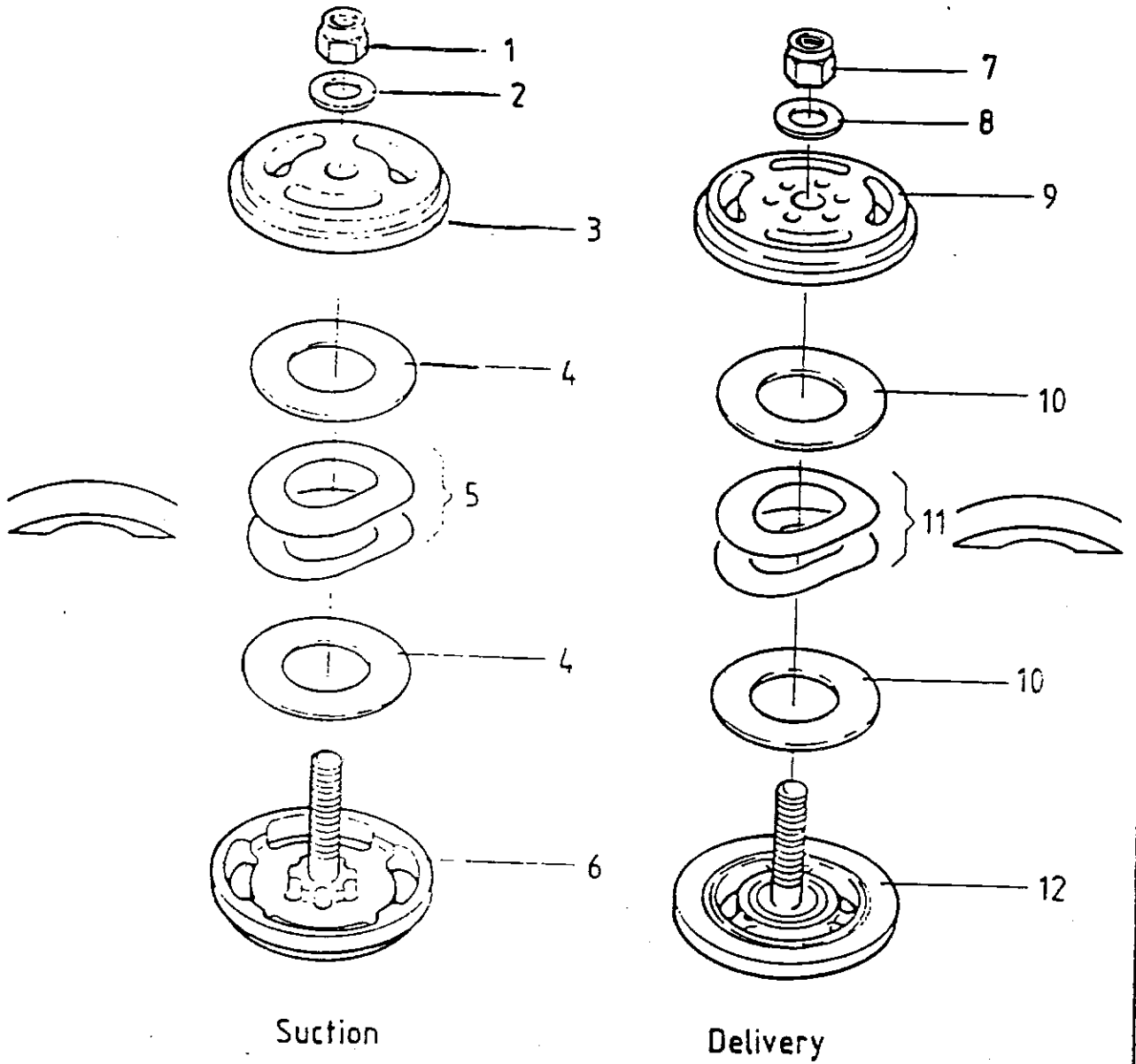
Delivery

1ST STAGE VALVES

LIST "J"
1 ST STAGE VALVES

ITEM NO.	DESCRIPTION	NO. PER MACHINE	ASSEMBLY REFERENCE	5407 PART NO.	5407H PART NO.
C29	SUCTION VALVE ASSEMBLY -	1		98650/1247	98650/1247
	COMPRISING OF ITEMS:				
J1	NUT	1	NB	--	--
J2	WASHER	1	NB	--	--
J3	VALVE SEAT	1		--	--
J4	VALVE PLATE	1	NB	98650/1255	98650/1255
J5	LIFT WASHER	1	NB	--	--
J6	SPRING PLATE	2	NB	98650/1254	98650/1254
J7	VALVE GUARD	1		--	--
J8	BOLT	1	NB	--	--
J9	PEG	1		--	--
C12	DELIVERY VALVE ASSEMBLY -	1		98650/1248	98650/1248
	COMPRISING OF ITEMS:				
J10	VALVE SEAT	1		--	--
J11	LIFT WASHER	1	NB	--	--
J12	VALVE PLATE	1	NB	98650/1255	98650/1255
J13	SPRING PLATE	3	NB	98650/1254	98650/1254
J14	VALVE GUARD	1		--	--
J15	WASHER	1	NB	--	--
J16	NUT	1	NB	--	--
J17	STUD	1		--	--
J18	PEG	1		--	--

5407 STANDARD MACHINE

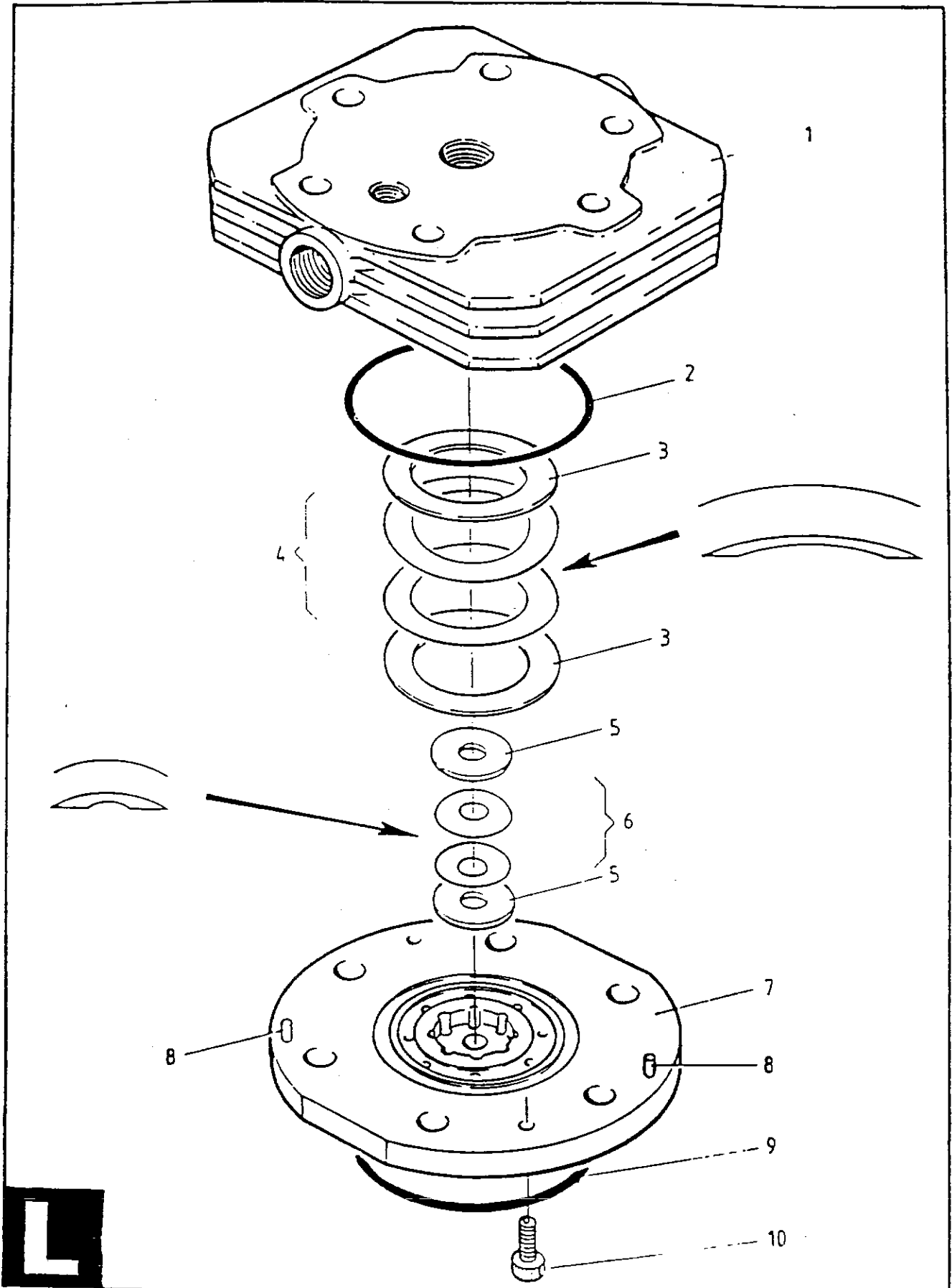


2ND STAGE VALVES

LIST "K"
2ND STAGE VALVES

ITEM NO.	DESCRIPTION	NO. PER MACHINE	ASSEMBLY REFERENCE	5407 PART NO.	5407H PART NO.
D27	SUCTION VALVE ASSEMBLY -	1		98650/1181	98650/1181
	COMPRISING OF ITEMS:				
K1	NUT	1	NC	--	--
K2	WASHER	1	NC	--	--
K3	VALVE SEAT	1		--	--
K4	VALVE BACKING PLATE	2	NC	98650/1250	98650/1250
K5	VALVE SPRING	3	NC	98650/1249	98650/1249
K6	VALVE GUARD	1		--	--
D9	DELIVERY VALVE ASSEMBLY -	1		98650/1182	98650/1182
	COMPRISING OF ITEMS:				
K7	NUT	1	NC	--	--
K8	WASHER	1	NC	--	--
K9	VALVE GUARD	1		--	--
K10	VALVE BACKING PLATE	2	NC	98650/1250	98650/1250
K11	VALVE SPRING	3	NC	98650/1251	98650/1251
K12	VALVE SEAT INCLUDING STUD	1		--	--

5407 STANDARD MACHINE

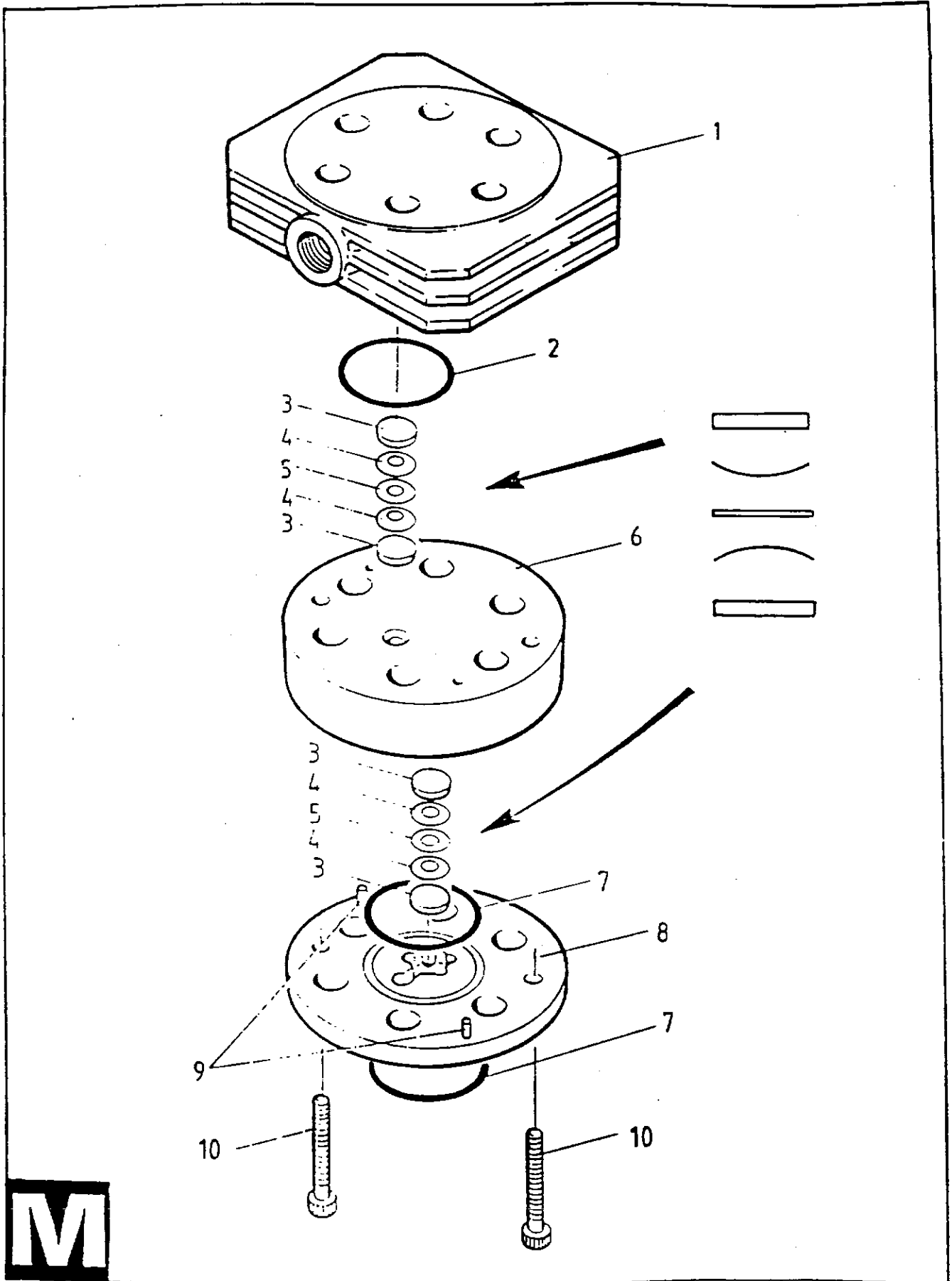


3RD STAGE CONCENTRIC VALVE

LIST "L"
3RD STAGE CONCENTRIC VALVE

ITEM NO.	DESCRIPTION	NO. PER MACHINE	ASSEMBLY REFERENCE	5407 PART NO.	5407H PART NO.
D21	VALVE ASSEMBLY -	1		98650/1883	98650/1883
	COMPRISING OF ITEMS:				
L1	UPPER BODY	1		--	--
L2	ORING	1	ND	95602/0054	95602/0054
L3	VALVE BACKING PLATE - DELIVER	2	ND	98650/1211	98650/1211
L4	SPRING PLATE - DELIVERY	2	ND	98650/1212	98650/1212
L5	VALVE BACKING PLATE - SUCTION	2	ND	98650/1213	98650/1213
L6	SPRING PLATE - SUCTION	2	ND	98650/1214	98650/1214
L7	LOWER BODY	1		--	--
L8	PEG	1		--	--
L9	ORING	1	ND	95602/0050	95602/0050
L10	SETSCREW	2	ND	--	--

5407 STANDARD MACHINE



4TH STAGE CONCENTRIC VALVE

LIST "M"
4TH STAGE CONCENTRIC VALVE

ITEM NO.	DESCRIPTION	NO. PER MACHINE	ASSEMBLY REFERENCE	5407 PART NO.	5407H PART NO.
C14	VALVE ASSEMBLY -	1		C201654	C201654
	COMPRISING OF ITEMS:				
M1	UPPER BODY	1		--	--
M2	ORING	1	NE	95602/0016	95602/0016
M3	VALVE BACKING PLATE - DELIVER	4	NE	98650/1196	98650/1196
M4	SPRING PLATE - SUCTION & DELIV	4	NE	98650/1197	98650/1197
M5	CENTER PLATE - SUCTION & DELIV	2	NE	98650/1198	98650/1198
M6	MIDDLE BODY	1		--	--
M7	ORING	2	NE	95602/0018	95602/0018
M8	LOWER BODY	1		98650/1296	98650/1296
M9	PEG	2		--	--
M10	SETSCREW	2	NE	--	--

**LIST "N"
MAINTENANCE KITS**

ITEM NO.	DESCRIPTION	NO. PER MACHINE	ASSEMBLY REFERENCE	5407 PART NO.	5407H PART NO.
NA	COMPRESSOR MAINTENANCE	1	A3,6,7,12,14,19,20,25	98504/1119	98504/1119
	GASKET/ORING KIT		C1,6,11,19,19/1,19/2,		
			C21,28,31		
			D1,7,10,16,19,22,26,29,		
			D31		
			E7,12,14,18		
			H1,5,6,16,20,22		
NB	1ST STAGE VALVE MAINTENAN	1	C11,28	98650/1760	98650/1760
	KIT		J1,2,4,5,6,8,11,12,13,		
			J15,16		
NC	2ND STAGE VALVE MAINTENAN	1	D10	98650/1751	98650/1751
	KIT		K1,2,4,5,7,8,10,11		
ND	3RD STAGE VALVE MAINTENAN	1	L2,3,4,5,6,9,10	98650/1215	98650/1215
	KIT				
NE	4TH STAGE VALVE MAINTENAN	1	M2,3,4,5,7,10	98650/1199	98650/1199
	KIT				

18.5 PARTS 5408, 5409, 5409H, 5409IND, 54092BA, AND 540921A

When ordering parts, it is important to have the model number and serial number to ensure the proper parts are chosen.

The digits of the serial number will identify the block. Go to the section designated for that particular block number and use column beneath the listing for parts pertaining to that unit. If in doubt, contact MAKO.

**FOR EXAMPLE: SERIAL NUMBER 5408 XXX OR 5408 XXXX
USE COLUMNS WITH 5408HEADER**

**SERIAL NUMBER 5409 XXX OR 5409 XXXX
USE COLUMNS WITH 5409HEADER**

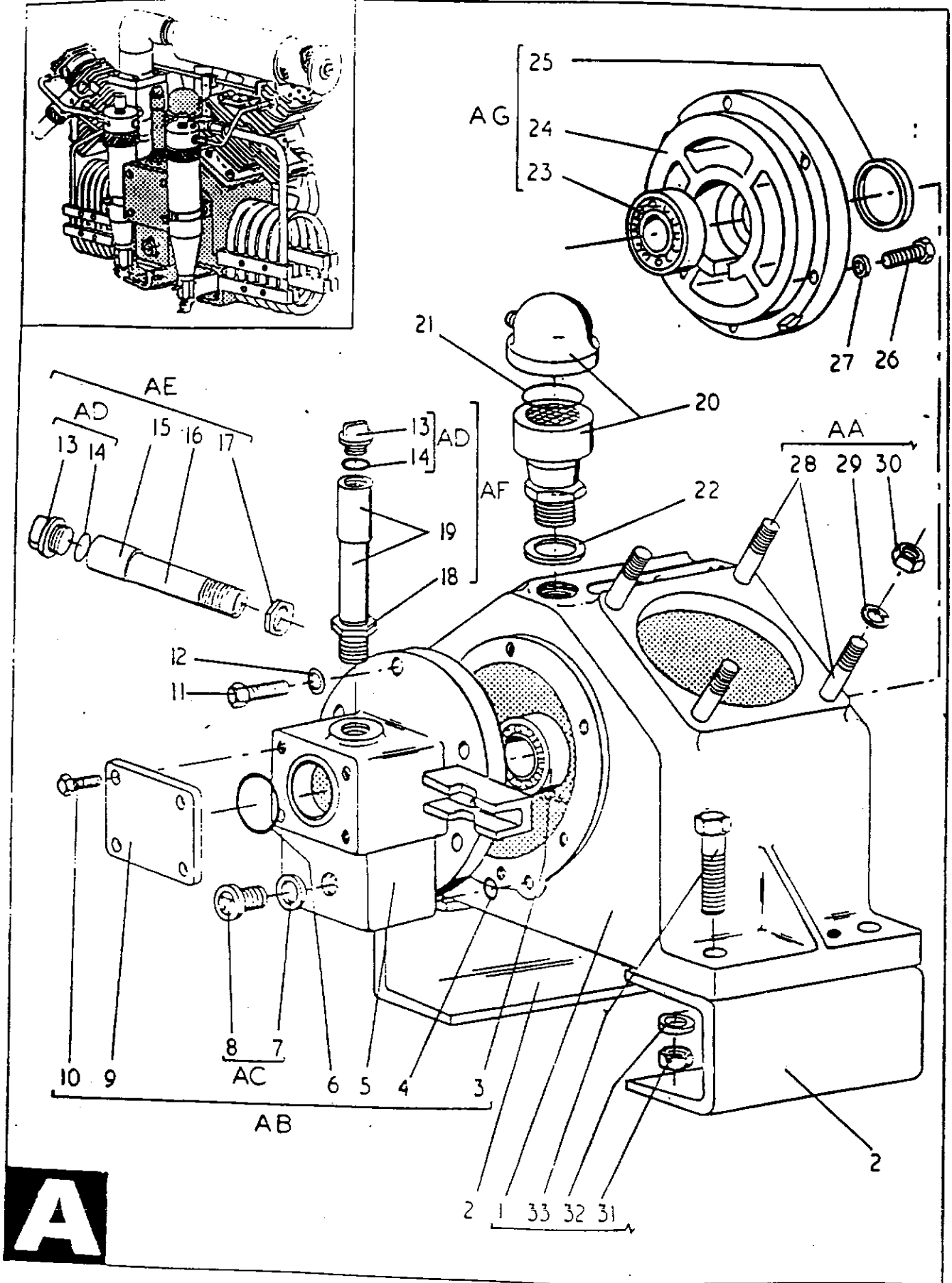
**SERIAL NUMBER 5409H XXX OR 54092BAXXX
USE COLUMNS WITH 5409H HEADER**

**SERIAL NUMBER 5409INDXXX OR 540921AXXX
USE COLUMNS WITH 5409I HEADER**

Standard parts are available where indicated by either a number or letters. The letters indicate that an item is available as a component of an assembly. Items indicated with an "--" are available as part of an assembly or kit only.

The right is reserved to modify the contents of this parts list without notice and the information given is in no way binding on the manufacturers.

5408 & 5409 STANDARD MACHINE



CRANKCASE

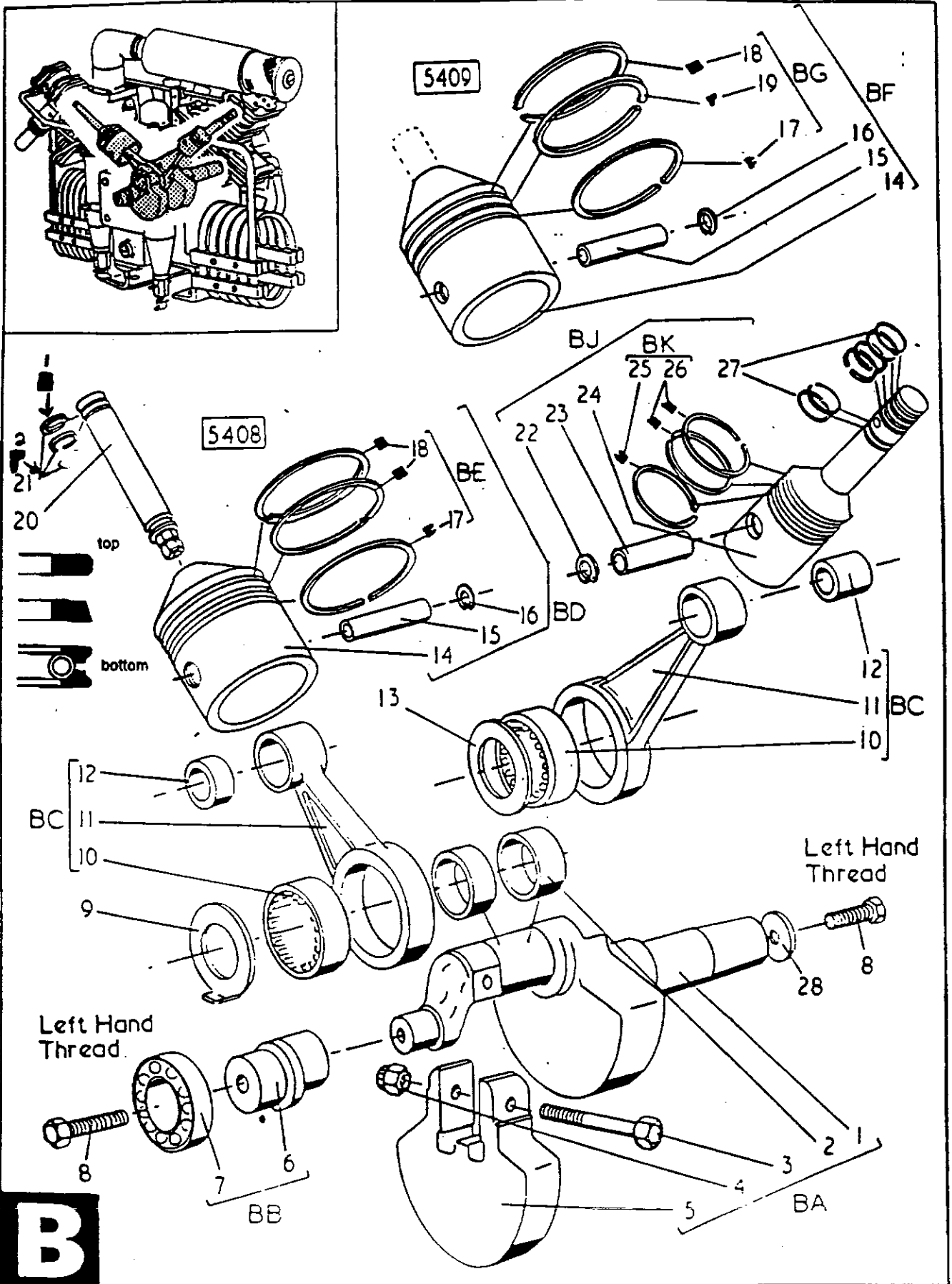
LIST "A"
CRANKCASE

ITEM NO.	DESCRIPTION	NO. PER MACHINE	ASSEMBLY REFERENCE	5408 PART NO.	5409 PART NO.	5409H/54092BA PART NO.	5409I/54092IA PART NO.
AA	CRANKCASE ASSEMBLY	1	A1,28,29,30,31,32,33	E60421/50	E60421/50	E60421/50	E61108/50
AB	BEARING HOUSING ASSY - OUTER EN	1	A3,4,5,6,7,8,9,10	E60195/50	E60195/50	E60195/50	E61109/100
AC	OIL LEVEL INDICATOR SET PRE 1989	1	A7,8	98540/1001	98540/1001		
AC	OIL LEVEL INDICATOR SET AFTER 198	1	A7,8	C202452	C202452	C202452	C202452
AD	OIL DRAIN/FILLER PLUG SET	2	A13,14	98442/1037	98442/1037	*	*
AE	OIL DRAIN ASSEMBLY	1	A13,14,15,16,17	C201805/50	C201805/50	C201805/50	C201805/50
AF	OIL FILLER ASSEMBLY	1	A13,14,18,19	C200568/2/50	C200568/2/50	*	*
AG	BEARING HOUSING ASSY - DRIVE END	1	A23,24,25	D100190/100	D100190/100	D100190/100	D100190/100

ITEM NO.	DESCRIPTION	NO. PER MACHINE	ASSEMBLY REFERENCE	5408 PART NO.	5409 PART NO.	5409H/54092BA PART NO.	5409I/54092IA PART NO.
A1	CRANKCASE	1	AA	--	--	--	--
A2	MOUNTING BRACKET	2		C200936	C200936	C200936	NOT FITTED
A3	ROLLER BEARING - OUTER END	1	AB	98076/1029	98076/1029	98076/1029	96046/0172
A4	ORING/GASKET BETWEEN ITEM A1 &	1	AB & NA	95602/0042	95602/0042	95602/0042	D101111
A5	BEARING HOUSING - OUTER END	1	AB	E60195/50	E60195/50	E60195/50	E61109/100
A6	ORING	1	AB & NA	95602/0088	95602/0088	95602/0088	95602/0088
A7	FIBER WASHER (FOR ITEM A8)	1	AA & AC & NA	95640/0014	95640/0014	95640/0014	NOT FITTED
A8	OIL LEVEL INDICATOR	1	AB & AC	--	--	--	--
A9	END COVER	1	AB	C200663	C200663	C200663	C200663
A10	SETSCREW-HEX HEAD (FOR ITEM A9)	4	AB	95000/0257	95000/0257	95000/0257	95000/0257
A11	SETSCREW-HEX HEAD (FOR ITEM A5)	6		95000/0256	95000/0256	95000/0256	95000/0256
A12	SCREW SEAL (FOR ITEM A11)	6		PT6495/56	PT6495/56	PT6495/56	PT6495/56
A13	OIL DRAIN PLUG	2	AD & AE & AF	PS1990	PS1990	PS1990	PS1990
A14	ORING (FOR ITEM A13)	2	AD & AE & NA	95602/0040	95602/0040	95602/0040	NOT FITTED
A15	PIPE SOCKET	1	AE	--	--	--	--
A16	PIPE	1	AE	--	--	--	--
A17	LOCKNUT	1	AE	--	--	--	--
A18	LOCKNUT	1	AF	--	--	--	--
A19	OIL FILLER PIPE	1	AF	--	--	--	--
A20	CRANKCASE BREATHER	1		98262/1035	98262/1035	98262/1166	98262/1166
A20.A*	ADAPTER	1				C202292	C202781
A20.B*	NIPPLE, BARREL	1				95414/0206	95414/0206
A21	ORING (FOR ITEM A20)	1	NA	95602/0058	95602/0058	95602/0058	NOT FITTED
A22	FIBER WASHER (FOR ITEM A20)	1	NA	95640/0009	95640/0009	95640/0009	NOT FITTED
A23	ROLLER BEARING - DRIVE END	1	AG	98076/1028	98076/1028	98076/1028	98076/1127
A24	BEARING HOUSING - DRIVE END	1	AG	D100190/100	D100190/100	D100190/100	D101415
A25	OIL SEAL	1	AG	98505/1006	98505/1006	98505/1006	98505/1006
A26	SETSCREW-HEX HEAD (FOR ITEM A24)	6		95000/0256	95000/0256	95000/0256	95000/0256
A27	SCREW SEAL (FOR ITEM A26)	6	NA	PT6495/56	PT6495/56	PT6495/56	PT6495/56
A28	STUD	8	AA	D541091025	D541091025	D54109/10/35	D54109/10/35
A29	LOCKWASHER (FOR ITEM A28)	8		PS1113/2	PS1113/2	PS1113/2	PS1113/2
A30	NUT (FOR ITEM A29)	8	AA	95111/0006	95111/0006	95111/0006	95111/0006
A31	NUT (FOR ITEM A33)	4	AA	95111/0007	95111/0007	95111/0007	NOT FITTED
A32	TAPER WASHER (FOR ITEM A33)	4	AA	PS1742/2	PS1742/2	PS1742/2	NOT FITTED
A33	SETSCREW - HEX HEAD	4	AA	95006/0203	95006/0203	95006/0203	NOT FITTED

*SEE 5409H & 5409I LIST "H" OIL FILTER ASSEMBLY

5408 & 5409 STANDARD MACHINE



RUNNING GEAR

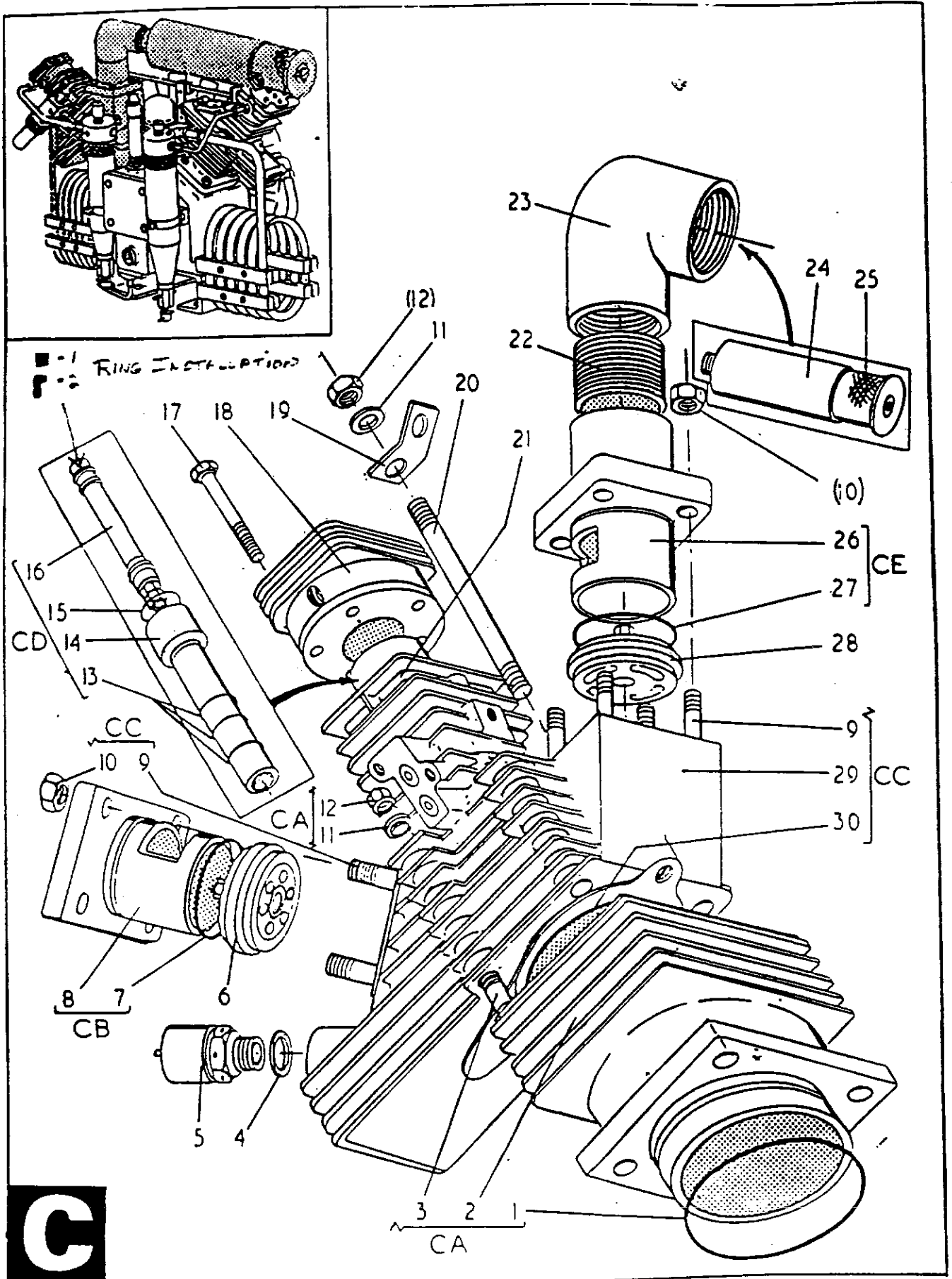
LIST "B"
RUNNING GEAR

ITEM NO.	DESCRIPTION	NO. PER MACHINE	ASSEMBLY REFERENCE	5408 PART NO.	5409 PART NO.	5409H/54092BA PART NO.	5409I/54092IA PART NO.
BA	CRANKSHAFT ASSEMBLY	1	B1,2,3,4,5	D100188/50	D100188/50	D100188/50	
BA	CRANKSHAFT ASSEMBLY	1	B1				D101411
BB	OIL PUMP CAM ASSEMBLY	1	B6,7	C201451	C201451	C201451	C201451
BC	CONNECTING ROD ASSEMBLY	2	B10,11,12	D100287/50	D100287/50	D100287/50	D101388/50
BD	PISTON ASSEMBLY - 1ST STAGE	1	B14,15,16,17,18	D100495			
BE	PISTON RING SET - 1ST STAGE	1	B17,18	98477/1094			
BF	PISTON ASSEMBLY - 1ST STAGE	1	B14,15,16,17,18,19		D101548/50	D101548/50	D101548/50
BG	PISTON RING SET-1ST STG (D100498)	1	B17,18,19		98477/1095	98477/1095	98477/1095
BG	PISTON RING SET-1ST STG (D101548/50)	1	B17,18,19		98477/1167	98477/1167	98477/1167
BH	PISTON RING SET-4TH STG (C201355)	1	B20	98477/1142	98477/1142		
BH	PISTON RING SET-4TH STG (C203157)	1	B20			98477/1168	98477/1168
BJ	PISTON ASSEMBLY-2ND & 3RD STG	1	B22,23,24,25,26,27	D100326/50	D100326/50	D100326/50	D100326/50
BK	PISTON RING SET - 2ND STAGE	1	B25,26	98477/1096	98477/1096	98477/1096	98477/1096
BL	PISTON RING-3RD STG DRY GAS USE*	6	B27		C203469		C203469
BL	PISTON RING SET - 3RD STAGE	1	B27	98477/1097	98477/1097	98477/1097	98477/1097

ITEM NO.	DESCRIPTION	NO. PER MACHINE	ASSEMBLY REFERENCE	5408 PART NO.	5409 PART NO.	5409H/54092BA PART NO.	5409I/54092IA PART NO.
B1	CRANKSHAFT	1	BA	--	--	--	--
B2	BIG END BEARING - INNER RACE	2	BA **BC	98076/1065	98076/1065	98076/1065	**
B3	BOLT - HEXAGON HEAD	1	BA	95006/0180	95006/0180	95006/0180	95006/0207
B4	LOCKNUT	1	BA	--	--	--	98422/1011
B5	BALANCE WEIGHT	1	BA	C200612	C200612	C200612	C203210
B6	OIL PUMP CAM	1	BB	--	--	--	--
B7	BALL BEARING (FOR ITEM B6)	1	BB	--	--	--	--
B8	SETScrew-HEXHD LEFTHAND THRE	2		98500/1004	98500/1004	98500/1004	98500/1004
B9	TAB WASHER - BIG END SPACER	1		98660/1190	98660/1190	98660/1190	NOT FITTED
B10	BIG END BEARING	2	BC	98076/1027	98076/1027	98076/1027	98076/1127
B11	CONNECTING ROD	2	BC	--	--	--	--
B12	SMALL END BEARING	2	BC	98076/1013	98076/1013	98076/1013	98076/1105
B13	BIG END SPACER	1		NO LONGER USED	NO LONGER USED	NO LONGER USED	C203216
B14	PISTON - 1ST STAGE	1	BD OR BF	--	--	--	--
B15	GUDGEON PIN - 1ST STAGE	1	BD OR BF	--	--	--	--
B16	CIRCLIP (FOR ITEM B15)	2	BD OR BF	--	--	--	--
B17	PISTON RING - 1ST STAGE	--	BD & BE/BF & BG	--	--	--	--
B18	PISTON RING - 1ST STAGE	--	BD & BE/BF & BG	--	--	--	--
B19	PISTON RING - 1ST STAGE	--	BD & BE/BF & BG	--	--	--	--
B20	LINER/PLUNGER ASSEMBLY	1	CD	--	--	--	--
B21	PISTON RINGS - 4TH STAGE	--	BH & CD	--	--	--	--
B22	CIRCLIP (FOR ITEM B23)	2	BH & CD	--	--	--	--
B23	GUDGEON PIN - 2ND STAGE	1	BJ	--	--	--	--
B24	PISTON - 2ND & 3RD STAGE	1	BJ	--	--	--	--
B25	PISTON RING - 2ND STAGE	--	BJ & BK	--	--	--	--
B26	PISTON RING - 2ND STAGE	--	BJ & BK	--	--	--	--
B27	PISTON RING-3RD STG DRY GAS USE*	6	BL	--	C203469	--	C203469
B27	PISTON RING - 3RD STAGE	--	BL	--	--	--	--
B28	WASHER	1		LD02616	LD02616	LD02616	LD02616

*FOR USE IN NITROGEN AND HELIUM DRY GAS APPLICATIONS

5408 & 5409 STANDARD MACHINE



1ST & 4TH STAGE CYLINDERS

**LIST "C"
1ST AND 4TH STAGE CYLINDERS**

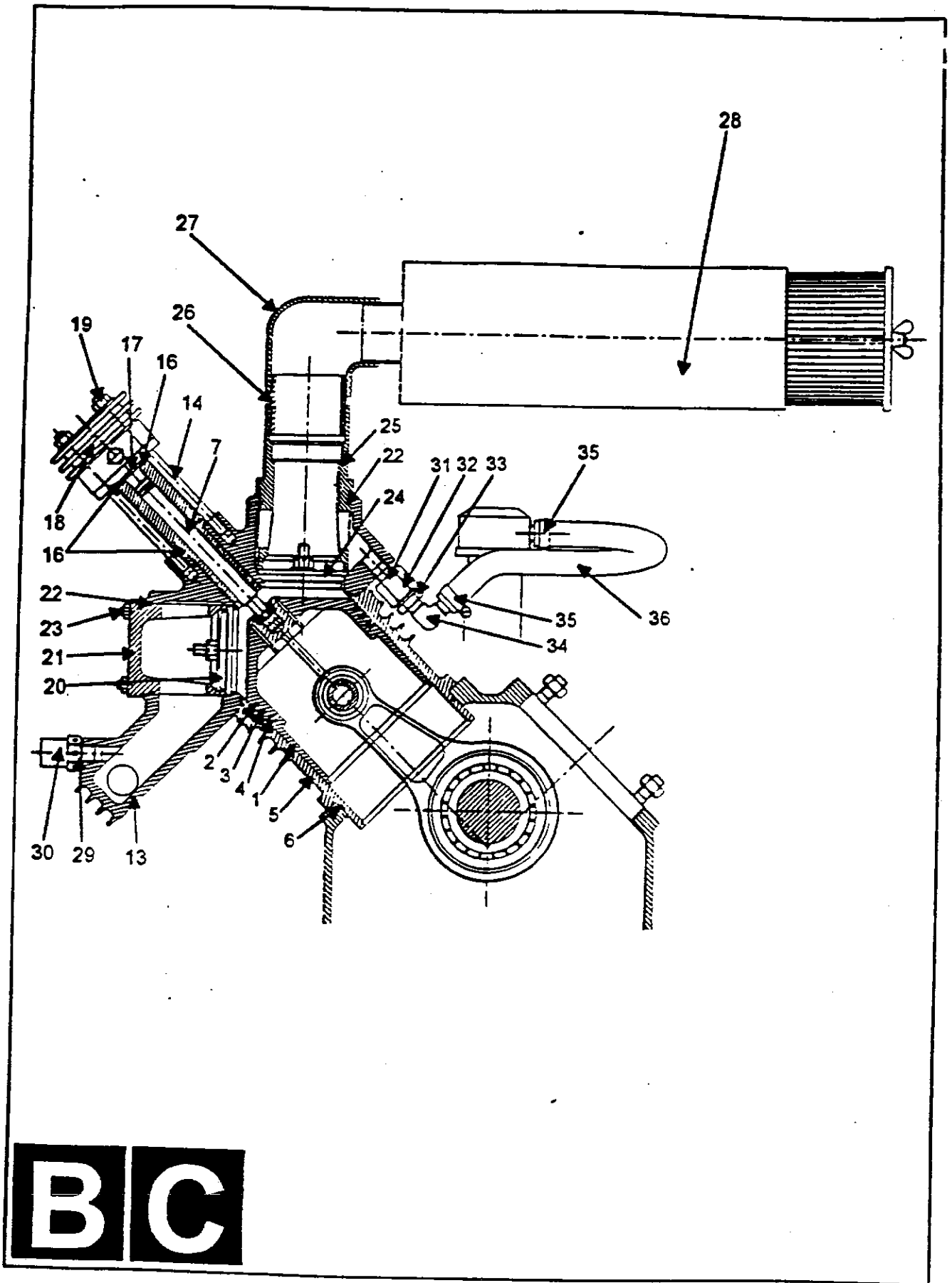
ITEM NO.	DESCRIPTION	NO. PER MACHINE	ASSEMBLY REFERENCE	5408 PART NO.	5409 PART NO.	5409H/54092BA PART NO.	5409I/54092IA PART NO.
CA	CYLINDER ASSEMBLY - 1ST STAGE	1	C1,2,3,11,12,20	E60331	D100246/50	**	**
CB	VALVE COVER-1ST STAGE DELIVERY	1	C7,8	C200617/100	C200617/100	**	**
CC	CYLINDER COVER ASSEMBLY-1ST ST	1	C9,29	E60488/100	E60488/100	E61308	E61308
CD	LINER/PLUNGER ASSEMBLY-4TH STA	1	C13,14,15,16	C201355	C201355	C203157	C203157
CE	VALVE COVER-1ST STAGE SUCTION	1	C26,C27	C200616/100	C200616/100	**	**

ITEM NO.	DESCRIPTION	NO. PER MACHINE	ASSEMBLY REFERENCE	5408 PART NO.	5409 PART NO.	5409H/54092BA PART NO.	5409I/54092IA PART NO.
C1	ORING	1	CA & NA	95602/0094	95602/0094	95602/0094	95602/0094
C2	CYLINDER - 1ST STAGE	1	CA	-	-	-	-
C3	STUD	3	CA	D100171/10/125	D100171/10/125	D100171/10/125	D100171/10/125
C4	DOWTY SEAL	1	NA	PS1322/2	PS1322/2	PS1322/2	PS1322/2
C5	SAFETY VALVE - 1ST STAGE	1		98650/11634.1	98650/11634.1	98650/11634.1	98650/11634.1
C5	SAFETY VALVE-1ST STG NITROGEN USE	1			98650/11635.9		98650/11635.9
C6	DELIVERY VALVE - 1ST STAGE	1		98650/1168	98650/1168	98650/1168	98650/1168
C7	ORING	1	CB & NA	95602/0060	95602/0060	95602/0060	95602/0060
C8	VALVE COVER - 1ST STAGE DELIVERY	1	CB	-	-	-	-
C9	STUD	8	CC	D100171/6/32	D100171/6/32	D100171/6/32	D100171/6/32
C10	NUT	8		95111/0004	95111/0004	95111/0004	95111/0004
C11	WASHER FOR ITEMS C3 & C20	4	CA	95148/0015	95148/0015	95148/0015	95148/0015
C12	NUT FOR ITEMS C3 & C20	4	CA	95111/0006	95111/0006	95111/0006	95111/0006
C13	ORING	3	CD & NA	95602/0017	95602/0017	**	**
C14	LINER - 4TH STAGE	1	CD	-	-	-	-
C15	ORING	1	CD & NA	95602/0018	95602/0018	95602/0018	95602/0018
C16	PLUNGER ASSEMBLY - 4TH STAGE	1	CD	-	-	-	-
C17	SETSCREW - HEX HEAD	6		98086/1016	98086/1016	98086/1016	98086/1016
C18	VALVE ASSEMBLY - 4TH STAGE	1		C201654	C201654	C201654	C201654
C19	LIFTING BRACKET	1		C200607/2	C200607/2	C200607/2	C200607/2
C20	STUD	1	CA	D100171/10/135	D100171/10/135	D100171/10/135	D100171/10/135
C21	COOLING RING	1		C200546	C200546	NOT FITTED	NOT FITTED
C22	NIPPLE	1		95414/0169	95414/0169	95414/0169	95414/0169
C23	ELBOW	1		95405/0037	95405/0037	95405/0037	95405/0037
C24	SUCTION FILTER WITH HOUSING-LON	1		98262/1076	98262/1076		
C24	SUCTION FILTER WITH HOUSING-ROU	1		X0224	X0224	X0224	X0224
C25	SUCTION FILTER ELEMENT-LONG	1		98262/1061	98262/1061		
C25	SUCTION FILTER ELEMENT-ROUND	1		X0225	X0225	X0225	X0225
C26	VALVE COVER - 1ST STAGE SUCTION	1	CE	-	-	-	-
C27	ORING FOR ITEM C26	1	CE & NA	95602/0060	95602/0060	95602/0060	95602/0060
C28	SUCTION VALVE - 1ST STAGE	1		98650/1167	98650/1167	98650/1167	98650/1167
C29	CYLINDER COVER - 1ST STG/4TH STG	1	CC	-	-	-	-
C30	ORING BETWEEN ITEMS C2 & C29	1	NA	95602/0095	95602/0095	95602/0095	95602/0095

*NOTE: FOR 5408 - CYLINDER TO CRANK OIL RETURN PIPE ASSY REQUIRES REPLACEMENT ALSO

**NOTE: SEE 5409H & 5409I LIST "BC" 1ST & 4TH STAGE CYLINDER ASSEMBLY PARTS ILLUSTRATION AND LIST

5409H STANDARD MACHINE



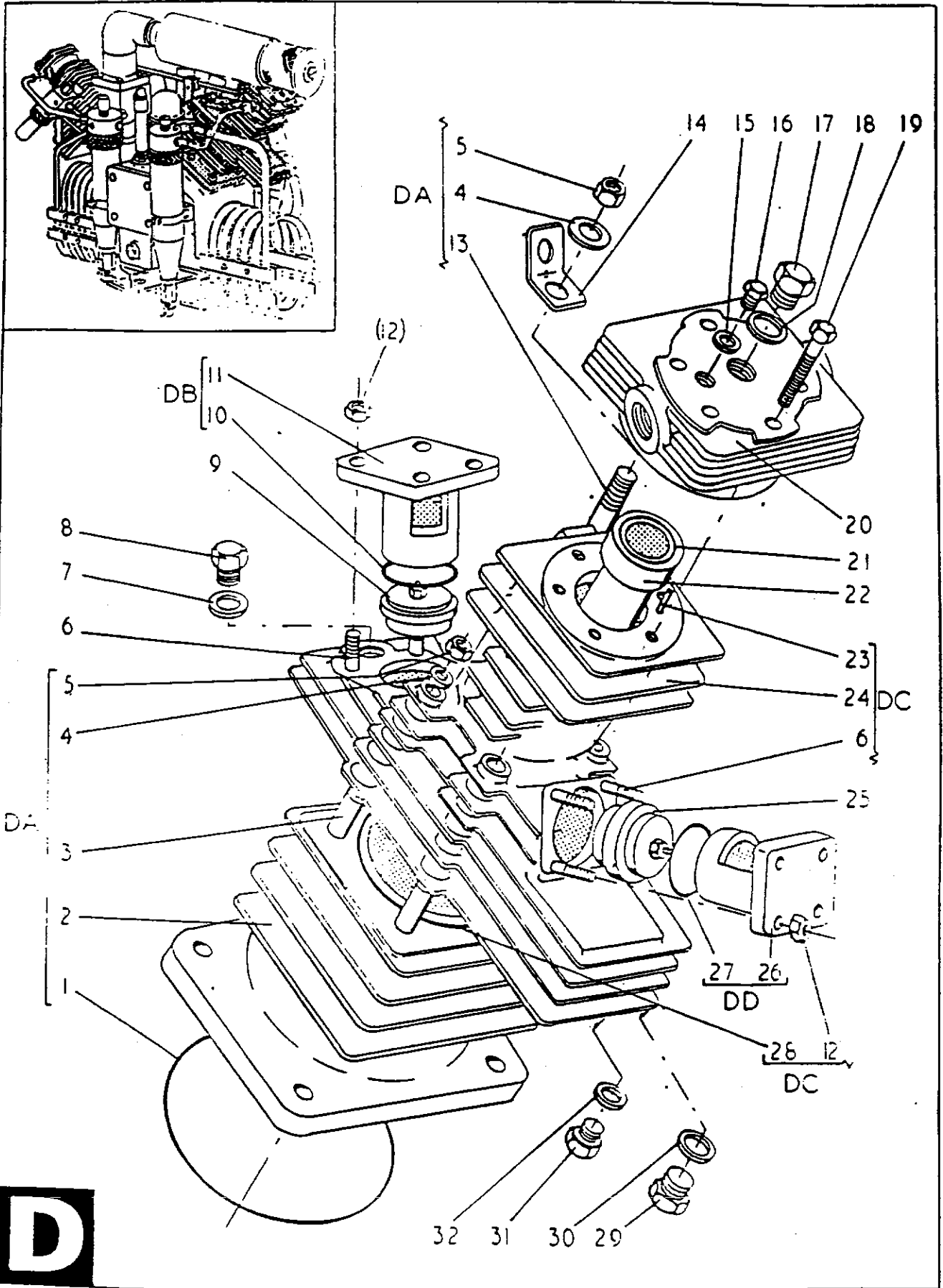
BC

1st & 4th STAGE CYLINDER ASSEMBLY

LIST "BC"
1ST & 4TH STAGE CYLINDER ASSEMBLY

ITEM NO.	DESCRIPTION	NO. PER MACHINE	ASSEMBLY REFERENCE	5409H/54092BA PART NO.	5409I/54092IA PART NO.
	CYLINDER ASSEMBLY 1ST & 4TH STA	1	CA/CB/CC/CD/CE	A30135	A30136
BC1	PISTON ASSEMBLY	1		D101548/50	D101548/50
BC2	PISTON RING	1		--	--
BC3	PISTON RING	1		--	--
BC4	PISTON RING	1		--	--
BC5	CYLINDER - 1ST STAGE	1		D100246/50	D100246/50
BC6	ORING	1		95602/0094	95602/0094
BC7	PLUNGER/LINER - 4TH STAGE	1		C203157	C203157
BC8	STUD	3		D100171/10/125	D100171/10/125
BC9	WASHER	4		95148/0015	95148/0015
BC10	NUT - HEX HEAD	4		95111/0006	95111/0006
BC11	STUD	1		D100171/10/135	D100171/10/135
BC12	LIFTING BRACKET	1		C200607/2	C200607/2
BC13	1ST STG CYL COVER & 4TH STG CYL	1		E61308	E61308
BC14	STUD	6		D100171/8/150	D100171/8/150
BC15	ORING	1		95602/0095	95602/0095
BC16	ORING	6		95602/0018	95602/0018
BC17	SPACER - 4TH STAGE	1		C203159	NOT FITTED
BC18	CONCENTRIC VALVE - 4TH STAGE	1		C201654	C201654
BC19	NUT - HEX HEAD	6		95111/0005	95111/0005
BC20	VALVE - 1ST STAGE DELIVERY	1		98650/1168	98650/1168
BC21	COVER - 1ST STAGE DELIVERY VALVE	1		C200617/100	C200617/100
BC22	ORING	2		95602/0060	95602/0060
BC23	NUT - HEX HEAD	8		95111/0004	95111/0004
BC24	VALVE - 1ST STAGE SUCTION	1		98650/1167	98650/1167
BC25	COVER - 1ST STAGE SUCTION VALVE	1		C200616/100	C200616/100
BC26	NIPPLE	1		C203168	C203168
BC27	ELBOW	1		95405/0037	95405/0037
BC28	SUCTION FILTER & SILENCER	1		X0224	X0224
BC29	COPPER WASHER	1		98660/1153	98660/1153
BC30	SAFETY VALVE - 1ST STAGE	1		98650/11634.1	98650/11634.1
BC31	ADAPTER	1		PS1295/17	PS1295/17
BC32	TUBE SLEEVE	1		PS1285/7	PS1285/7
BC33	TUBE NUT	1		PS1286/7	PS1286/7
BC34	STEM ELBOW	1		98156/3102	98156/3102
BC35	HOSE CLIP	2		PS1180/3	PS1180/3
BC36	HYDRAULIC HOSE	1		98315/1127	98315/1127

5408 & 5409 STANDARD MACHINE



D

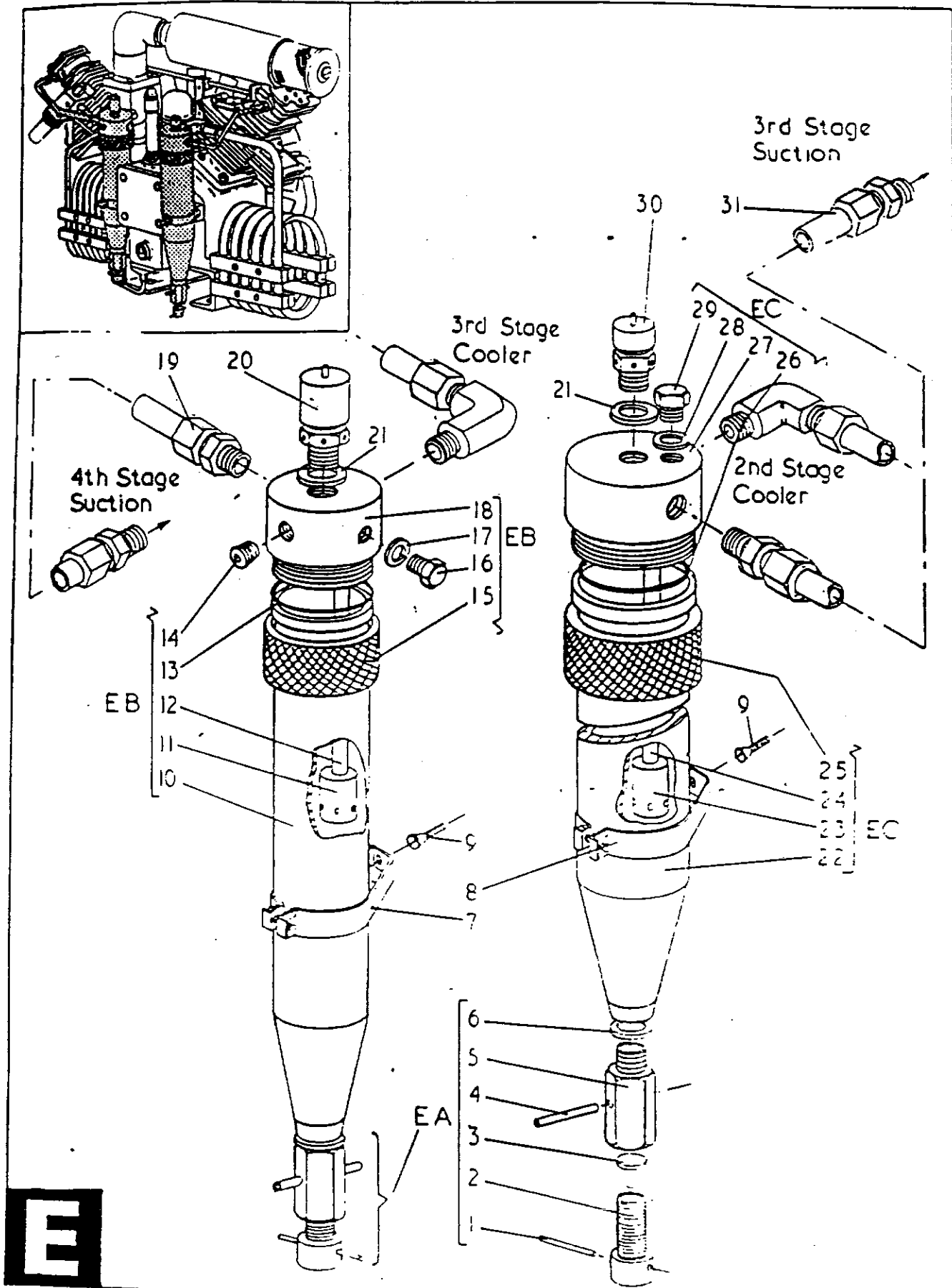
2ND & 3RD STAGE CYLINDERS

LIST "D"
2ND AND 3RD STAGE CYLINDERS

ITEM NO.	DESCRIPTION	NO. PER MACHINE	ASSEMBLY REFERENCE	5408 PART NO.	5409 PART NO.	5409H/54092BA PART NO.	5409I/54092IA PART NO.
DA	CYLINDER ASSEMBLY - 2ND STAGE	1	D1,2,3,4,5,13	E60333	E60333	E60333	E60333
DB	VALVE COVER ASSY-2ND STG DELIVE	1	D10,11	C200839/100	C200839/100	C200839/100	C200839/100
DC	CYLINDER COVER ASSEMBLY-2ND ST	1	D6,12,23,24,28	E60356/100	E60356/100	E60356/100	E60356/100
DD	VALVE COVER ASSY-2ND STG SUCTIO	1	D26,27	C200603/100	C200603/100	C200603/100	C200603/100

ITEM NO.	DESCRIPTION	NO. PER MACHINE	ASSEMBLY REFERENCE	5408 PART NO.	5409 PART NO.	5409H/54092BA PART NO.	5409I/54092IA PART NO.
D1	ORING	1	DA & NA	95602/0094	95602/0094	95602/0094	95602/0094
D2	CYLINDER - 2ND STAGE	1	DA	--	--	--	--
D3	STUD	4	DA	D100171/10/105	D100171/10/105	D100171/10/105	D100171/10/105
D4	WASHER FOR ITEMS D3 & D13	4	DA	95148/0015	95148/0015	95148/0015	95148/0015
D5	NUT FOR ITEMS D3 & D13	4	DA	95111/0006	95111/0006	95111/0006	95111/0006
D6	STUD	8	DC	D100171/6/32	D100171/6/32	D100171/6/32	D100171/6/32
D7	DOWTY SEAL	1	NA	PS1322/2	PS1322/2	PS1322/2	PS1322/2
D8	PLUG	1		PS1814/4	PS1814/4	PS1814/4	PS1814/4
D9	DELIVERY VALVE - 2ND STAGE	1		98650/1170	98650/1170	98650/1170	98650/1170
D10	ORING	1	DB & NA	95602/0052	95602/0052	95602/0052	95602/0052
D11	VALVE COVER - 2ND STAGE DELIVERY	1	DB	--	--	--	--
D12	NUT FOR ITEM D6	8	DC	95111/0004			
D12	NUT FOR ITEM D6	4	DC		95111/0004	95111/0004	95111/0004
D13	STUD	1	DA	D100171/10/115	D100171/10/115	D100171/10/115	D100171/10/115
D14	LIFTING BRACKET	1		C200607/2	C200607/2	C200607/2	C200607/2
D15	DOWTY SEAL	1	NA	PS1322/2	PS1322/2	PS1322/2	PS1322/2
D16	PLUG	1	NA	PS1814/4	PS1814/4	PS1814/4	PS1814/4
D17	PLUG	1		PS1814/2	PS1814/2	PS1814/2	PS1814/2
D18	DOWTY SEAL	1	NA	PS1322/1	PS1322/1	PS1322/1	PS1322/1
D19	SETSCREW	6		95000/0262	95000/0262	95000/0262	95000/0262
D20	VALVE ASSEMBLY - 3RD STAGE	1		98650/1883	98650/1883	98650/1883	98650/1883
D21	ORING	1	NA	95602/0050	95602/0050	95602/0050	95602/0050
D22	CYLINDER LINER - 3RD STAGE	1		C200615	C200615	C200615	C200615
D23	TENSION PIN	1	DC	95541/0160	95541/0160	95541/0160	95541/0160
D24	CYLINDER COVER-2ND STG/3RD STG	1	DC	--	--	--	--
D25	SUCTION VALVE - 2ND STAGE	1		98650/1169	98650/1169	98650/1169	98650/1169
D26	VALVE COVER - 2ND STAGE SUCTION	1	DD	--	--	--	--
D27	ORING FOR ITEM D26	1	DD & NA	95602/0052	95602/0052	95602/0052	95602/0052
D28	ORING BETWEEN ITEMS D2 & D24	1	DC & NA	95602/0087	95602/0087	95602/0087	95602/0087
D29	PLUG	1		C22054/2	C22054/2	C22054/2	C22054/2
D30	DOWTY SEAL	1	NA	PS1322/4	PS1322/4	PS1322/4	PS1322/4
D31	PLUG	1		PS1814/2	PS1814/2	PS1814/2	PS1814/2
D32	DOWTY SEAL	1	NA	PS1322/1	PS1322/1	PS1322/1	PS1322/1

5408 & 5409 STANDARD MACHINE



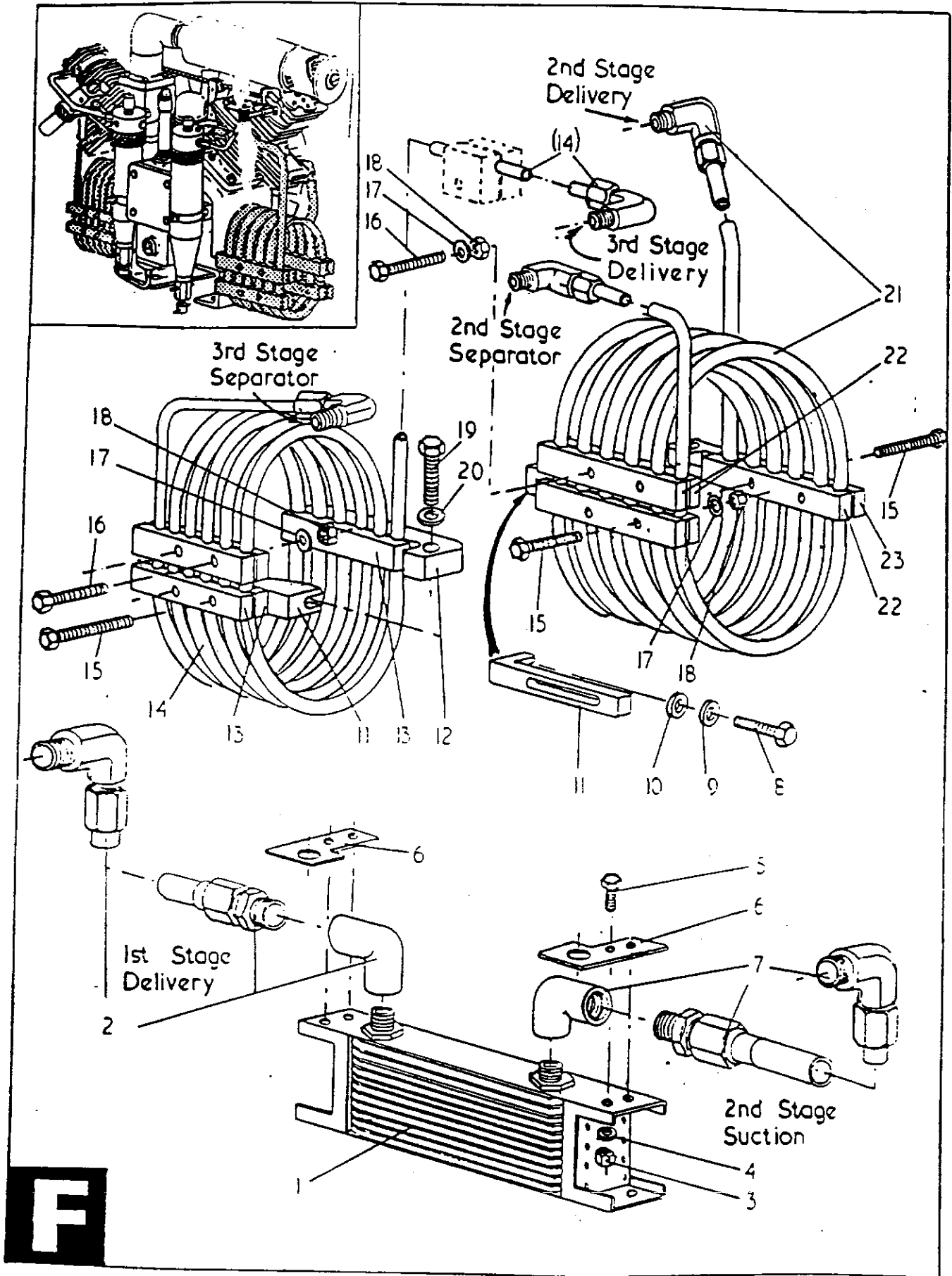
2ND & 3RD STAGE SEPARATORS

LIST "E"
2ND AND 3RD STAGE SEPARATORS

ITEM NO.	DESCRIPTION	NO. PER MACHINE	ASSEMBLY REFERENCE	5408 PART NO.	5409 PART NO.	5409H/54092BA PART NO.	5409I/54092IA PART NO.
EA	SEPARATOR VALVE ASSEMBLY	2	E1,2,3,4,5,6	C200657/2/50	C200657/2/50	C200657/2/50	C200657/2/50
EB	SEPARATOR BODY ASSY - 3RD STG	1	E10,11,12,13,14,15,16, E17,18	D100538	D100538	D100538	D100538
EC	SEPARATOR BODY ASSY - 2ND STG	1	E22,23,24,25,26,27,28,29	D100292	D100292	D100292	D100292

ITEM NO.	DESCRIPTION	NO. PER MACHINE	ASSEMBLY REFERENCE	5408 PART NO.	5409 PART NO.	5409H/54092BA PART NO.	5409I/54092IA PART NO.
E1	TENSION PIN	2	EA	95540/0172	95540/0172	95540/0172	95540/0172
E2	VALVE DRAIN SCREW	2	EA	C200656/2	C200656/2	C200656/2	C200656/2
E3	VALVE	2	EA	C200656/3	C200656/3	C200656/3	C200656/3
E4	BRANCH PIPE	2	EA	C200657/3	C200657/3	C200657/3	C200657/3
E5	VALVE BODY	2	EA	C200657/2/50	C200657/2/50	C200657/2/50	C200657/2/50
E6	DOWTY SEAL	2	EA	98504/1051	98504/1051	98504/1051	98504/1051
E7	SEPARATOR CLIP - 3RD STAGE	1		98150/1006	98150/1006	98150/1006	98150/1006
E8	SEPARATOR CLIP - 2ND STAGE	1		98150/1007	98150/1007	98150/1007	98150/1007
E9	SCREW - COUNTERSUNK	2		95028/0133	95028/0133	95028/0133	95028/0133
E10	SEPARATOR BODY - 3RD STAGE	1	EB	D100538	D100538	D100538	D100538
E11	SEPARATOR DEFLECTOR	1	EB	--	--	--	--
E12	SEPARATOR DOWNPIPE	1	EB	--	--	--	--
E13	ORING FOR ITEM E18	1	EB & NA	95602/0051	95602/0051	95602/0051	95602/0051
E14	PRESSURE PLUG	1	EB	PS1454/2	PS1454/2	PS1454/2	PS1454/2
E15	COLLAR NUT	1	EB	C200650	C200650	C200650	C200650
E16	PLUG	1	EB	PS1814/2	PS1814/2	PS1814/2	PS1814/2
E17	DOWTY SEAL FOR ITEM E16	1	EB & NA	PS1322/1	PS1322/1	PS1322/1	PS1322/1
E18	SEPARATOR COVER - 3RD STAGE	1	EB	C200666	C200666	C200666	C200666
E19	SUCTION PIPE ASSEMBLY-4TH STA	1		C201198	C201198	C201198	C201198
E20	SAFETY VALVE - 3RD STAGE	1		98650/116497	98650/116497	98650/116497	98650/116497
E20	SAFETY VALVE-3RD STG NITROGEN USE	1			98650/1164114		98650/1164114
E21	DOWTY SEAL FOR ITEMS E20 & E30	2	NA	PS1322/2	PS1322/2	PS1322/2	PS1322/2
E22	SEPARATOR BODY - 2ND STAGE	1	EC	--	--	--	--
E23	SEPARATOR DEFLECTOR	1	EC	C200653	C200653	C200653	C200653
E24	SEPARATOR DOWNPIPE	1	EC	C200652	C200652	C200652	C200652
E25	COLLAR NUT	1		C200752	C200752	C200752	C200752
E26	ORING FOR ITEM E24	1	EC & NA	95602/0061	95602/0061	95602/0061	95602/0061
E27	SEPARATOR COVER - 2ND STAGE	1	EC	D100240	D100240	D100240	D100240
E28	DOWTY SEAL FOR ITEM E29	1	EC & NA	PS1322/1	PS1322/1	PS1322/1	PS1322/1
E29	PLUG	1	EC	PS1814/2	PS1814/2	PS1814/2	PS1814/2
E30	SAFETY VALVE - 2ND STAGE	1		98650/1172	98650/1172	98650/1172	98650/116421
E30	SAFETY VALVE-2ND STG NITROGEN USE	1			98650/116428		98650/116428
E31	SUCTION PIPE ASSY - 3RD STAGE	1		C201197	C201197	C201197	C201197

5408 & 5409 STANDARD MACHINE

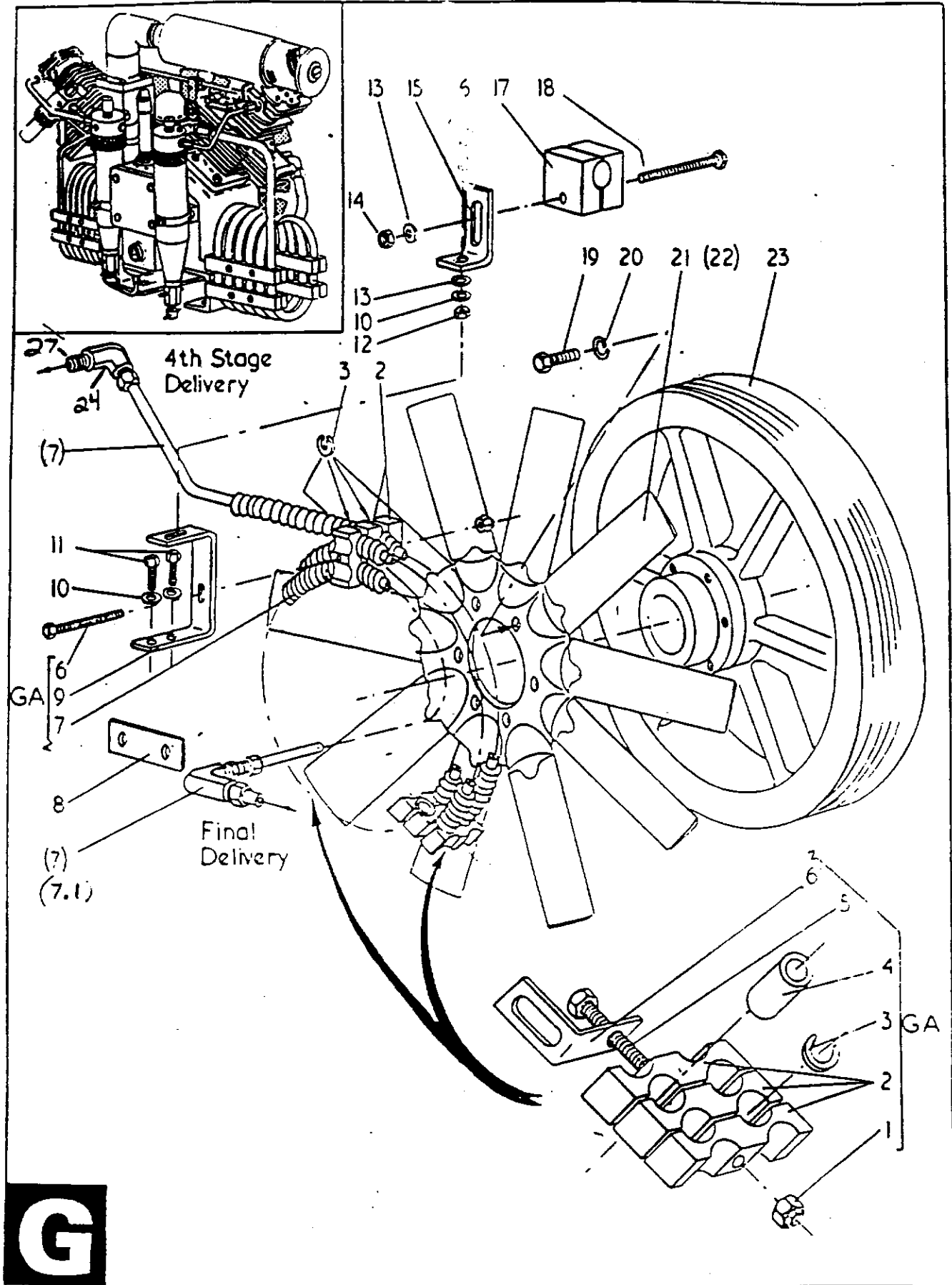


1ST, 2ND & 3RD STAGE COOLERS

LIST "F"
1ST, 2ND & 3RD STAGE COOLERS

ITEM NO.	DESCRIPTION	NO. PER MACHIN	ASSEMBLY REFERENCE	5408 PART NO.	5409 PART NO.	5409H/54092BA PART NO.	5409I/54092IA PART NO.
F1	COOLER - 1ST STAGE	1		98154/1002	98154/1002	98154/1002	98154/1002
F2	DELIVERY PIPE ASSEMBLY-1ST ST	1		C201195	C201195	C201195	C201195
F3	NUT FOR ITEM F6	4		95111/0004	95111/0004	95111/0004	95111/0004
F4	WASHER FOR ITEM F5	4		95148/0016	95148/0016	95148/0016	95148/0016
F5	SETSCREW - HEX HEAD	4		95000/0227	95000/0227	95000/0227	95000/0227
F6	COOLER BRACKET	2		C201168	C201168	C201168	
F6	COOLER BRACKET - LEFT HAND	1					D101131/1
F6	COOLER BRACKET - RIGHT HAND	1					D101131/2
F7	SUCTION PIPE ASSEMBLY-2ND STA	1		C201196	C201196	C201196	C201196
F8	SETSCREW-HEX HEAD	2		95000/0258	95000/0258	95000/0258	95000/0258
F9	WASHER - PLAIN	2		95148/0014	95148/0014	95148/0014	95148/0014
F10	WASHER - TAPERED	2		PS1742/1	PS1742/1	PS1742/1	PS1742/1
F11	COOLER BRACKET-2ND & 3RD STA	2		D100348	D100348	D100348	D100348
F12	COOLER BRACKET - 3RD STAGE	1		D100344	D100344	D100344	D100344
F13	COOLER CLIP - 3RD STAGE	5		C200927	C200927	C200927	C200927
F14	COOLER COIL ASSEMBLY-3RD STA	1		E60359	E60359	E60359	E60359
F15	BOLT - HEX HEAD	4		95006/0132	95006/0132	95006/0132	95006/0132
F16	BOLT - HEX HEAD	8		95000/0237	95000/0237	95000/0237	95000/0237
F17	WASHER - PLAIN	12		95148/0013	95148/0013	95148/0013	95148/0013
F18	NUT	12		95111/0004	95111/0004	95111/0004	95111/0004
F19	SETSCREW	2		95000/0258	95000/0258	95000/0258	95000/0258
F20	WASHER - PLAIN	2		95148/0014	95148/0014	95148/0014	95148/0014
F21	COOLER COIL ASSEMBLY-2ND STA	1		E60358	E60358	E60358	E60358
F22	COOLER CLIPS - 2ND STAGE	5		C200926	C200926	C200926	C200926
F23	COOLER BRACKET - 2ND STAGE	1		D100328	D100328	D100328	D100328

5408 & 5409 STANDARD MACHINE



4TH STAGE COOLER & FLYWHEEL

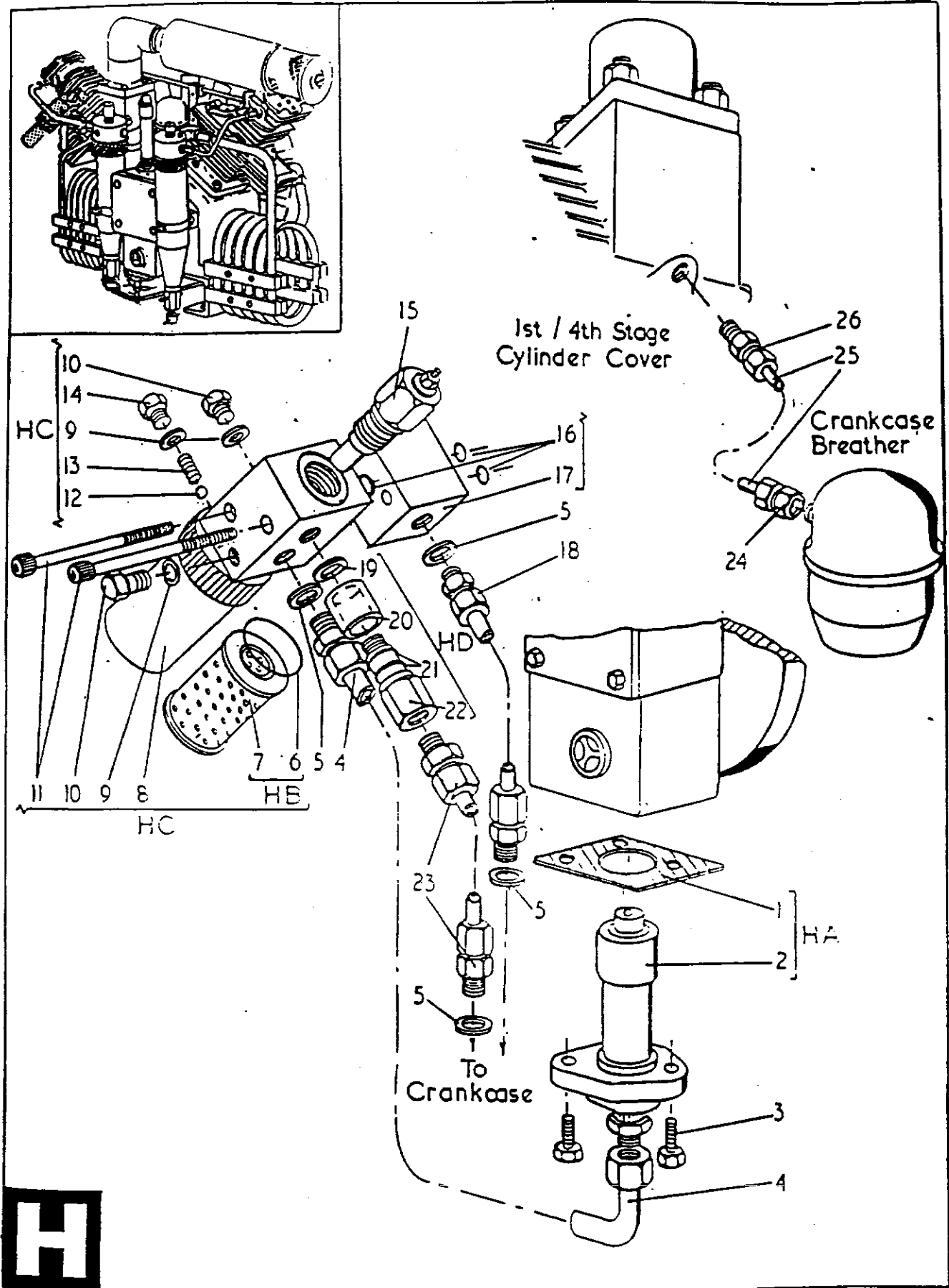
LIST "G"
4TH STAGE COOLER AND FLYWHEEL - PARTS

ITEM NO.	DESCRIPTION	NO. PER MACHINE	ASSEMBLY REFERENCE	5408 PART NO.	5409 PART NO.	5409H/54092BA PART NO.	5409I/54092IA PART NO.
GA	4TH STAGE COOLER ASSEMBLY	1	G1,2,3,4,5,6,7,9	E60360	E60360	A30130	A30130

ITEM NO.	DESCRIPTION	NO. PER MACHINE	ASSEMBLY REFERENCE	5408 PART NO.	5409 PART NO.	5409H/54092BA PART NO.	5409I/54092IA PART NO.
G1	LOCKNUT	1	GA	98422/1007	98422/1007	98422/1007	98422/1007
G2	COOLER CLIP - 4TH STAGE	9	GA	C200757	C200757	C200757	C200757
G3	"C" WASHER	20	GA	98660/1109	98660/1109	98660/1109	98660/1109
G4	PACKING PIECE	2	GA	C200879	C200879	C200879	C200879
G5	BOLT	3	GA	95006/0133	95006/0133	95006/0133	95006/0133
G6	CLIP	2	GA	C201012	C201012	C201012	C201012
G7	COOLER ASSEMBLY	1	GA	--	--	--	--
G7.1	ELBOW	1	GA	F0106	F0106	F0106	F0106
G8	SUPPORT PLATE-4TH STG COOLER	1		C201827	NOT USED	NOT USED	NOT USED
G9	COOLER BRACKET - 4TH STAGE	1	GA	C201975	C201975	C201975	C201975
G10	LOCKWASHER (FOR ITEMS G11& G16)	3		95179/0005	95179/0005	95179/0005	95179/0005
G11	SETSCREW - HEXAGON HEAD	2		95000/0227	95000/0227	95000/0227	95000/0227
G12	NUT (FOR ITEM G16)	1		95111/0004	95111/0004	95111/0004	95111/0004
G13	WASHER-PLAIN (FOR ITEMS G16 & G18)	2		95149/0013	95149/0013	95149/0013	95149/0013
G14	LOCKNUT (FOR ITEM G18)	1		98422/1007	98422/1007	98422/1007	98422/1007
G15	COOLER BRACKET - 3RD STAGE	1		C201975	C201975	C201975	C201975
G16	SETSCREW-HEX HEAD (FOR ITEM G15)	1		95000/0229	95000/0229	95000/0229	95000/0229
G17	PIPE CLIP	1		98150/1040	98150/1040	98150/1040	98150/1040
G18	SETSCREW-HEX HEAD (FOR ITEM G17)	1		95018/0171	95018/0171	95018/0171	95018/0171
G19	SETSCREW-HEX HEAD (FOR ITEM G21)	6		95000/0229	95000/0229	95000/0229	95000/0229
G20	SPRING WASHER (FOR ITEM G19)	6		95179/0005	95179/0005	95179/0005	95179/0005
G21	AXIAL FAN	1		98084/1004	98084/1002	98084/1002	98084/1002
G22	FAN BLADE - RED	12		98084/1005	98084/1005	98084/1005	98084/1005
G22	FAN BLADE - BLACK	12		98084/1029	98084/1029	98084/1029	98084/1029
G23	FLYWHEEL	1		E60437	E60437	E60437	E60437
G23A	FLYWHEEL - "B" GROOVE	1		E61476	E61476	E61476	E61476
G24	SWIVEL ELBOW	1	GA	98156/1604	98156/1604	98156/1604	98156/1604
G25*	FLYWHEEL BOLT-LEFT HAND THREAD	1		98500/1004	98500/1004	98500/1004	98500/1004
G26*	WASHER FOR G25	1		LD02616	LD02616	LD02616	LD02616
G27	ADAPTER - TEMP SWITCH	1		98156/2809	98156/2809	98156/2809	98156/2809

*NOT SHOWN

5408 & 5409 STANDARD MACHINE



LUBRICATION

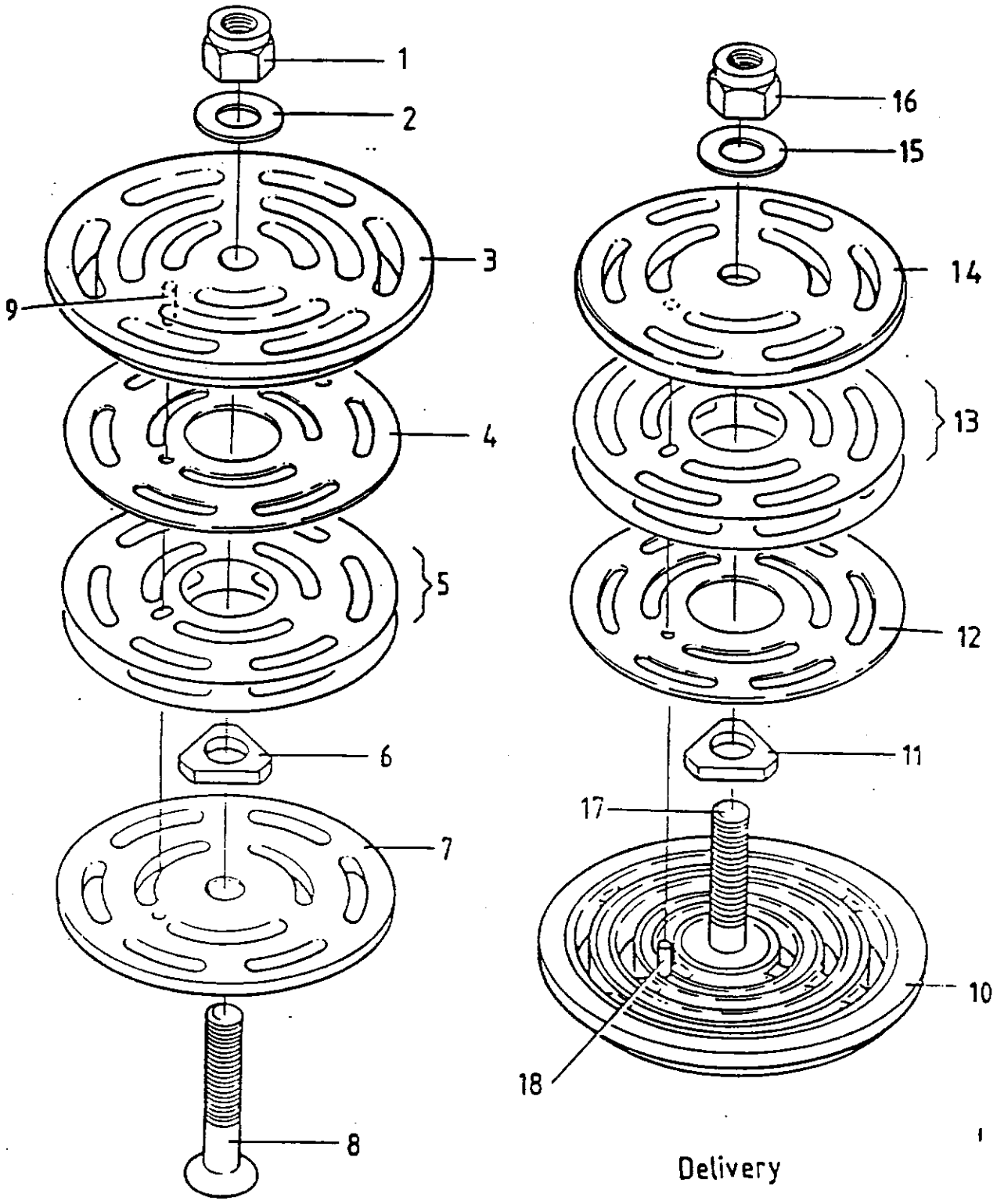
LIST "H"
LUBRICATION

ITEM NO.	DESCRIPTION	NO. PER MACHINE	ASSEMBLY REFERENCE	5408 PART NO.	5409 PART NO.	5409H/54092BA PART NO.	5409I/54092IA PART NO.
HA	OIL PUMP ASSEMBLY	1	H1,2	98446/1050	98446/1050	98446/1050	98446/1050
HB	OIL FILTER ASSEMBLY	1	H6,7	98262/1148	98262/1148	98262/1148	98262/1148
HC	OIL REGULATOR ASSEMBLY	1	H6,7,8,9,10,11,12,13,14,15, H16,17	D100406	D100406	C203458	C203458
HD	OIL SIGHT GLASS ASSEMBLY	1	H19,20,21,22	C201218	C201218		

ITEM NO.	DESCRIPTION	NO. PER MACHINE	ASSEMBLY REFERENCE	5408 PART NO.	5409 PART NO.	5409H/54092BA PART NO.	5409I/54092IA PART NO.
H1	GASKET - OIL PUMP	1	HA & NA	98502/1017	98502/1017	98502/1017	98502/1017
H2	OIL PUMP	1	HA	--	--	--	--
H3	SETSCREW - HEX HEAD	3		95000/0256	95000/0256	95000/0256	95000/0256
H4	OIL FEED PIPE ASSEMBLY	1		C201669	C201672	C201672	C201672
H5	WASHER - COPPER	4	NA	98660/1152	98660/1152	98660/1152	98660/1152
H6	ORING	1	HB & HC & NA	95602/0075	95602/0075	95602/0075	95602/0075
H7	OIL FILTER	1	HB & HC	--	--	--	--
H8	FILTER HOUSING	1	HC	--	--	--	--
H9	WASHER FOR ITEMS H10 & H14	3	HC & NA	98660/1152	98660/1152	98660/1152	98660/1152
H10	PLUG	2	HC	PS1814/2	PS1814/2	PS1814/2	PS1814/2
H11	CAPSCREW	2	HC	95018/0180	95018/0180	95018/0180	95018/0180
H12	BALL	1	HC	PS1149/3	PS1149/3	PS1149/3	PS1149/3
H13	SPRING	1	HC	98158/1046	98158/1046	98518/1089	98518/1089
H14	BYPASS VALVE PLUG	1	HC	C201080	C201080	C203160	C203160
H15	SAFETY VALVE	1		98650/1162	98650/1162		
H15A	FILTER BODY	1				C203458	C203458
H15B	SCREW CHECK	1				C203177	C203177
H16	ORING	3	HC & NA	95602/0007	95602/0007	95602/0007	95602/0007
H17	OIL TRANSFER BODY	1	HC	--	--	--	--
H18	OIL RETURN PIPE ASSY-REG TO CR	1		C201672	C201672	C203169	C203169
H19	WASHER - COPPER	1	HD & NA	98660/1152	98660/1152	98660/1152	98660/1152
H20	SIGHT GLASS	1	HD	98281/1001	98281/1001		
H21	ORING	2	HD & NA	95602/0008	95602/0008		
H22	SIGHT GLASS FITTING	1	HD	C200628	C200628		
H23	OIL RETURN PIPE ASSY-CYL TO CR	1		C202322	C202322	C202322	C202322
H24	COUPLING - PLASTIC	1		C200658	C200658		
H25	TUBING - NYLON	1		98617/1012	98617/1012		
H26	COUPLING - PLASTIC	1		98156/1551	98156/1551		

*SEE 5409H AND 5409I LIST "H" OIL FILTER ASSEMBLY PARTS ILLUSTRATION

5408 & 5409 STANDARD MACHINE



J

Suction

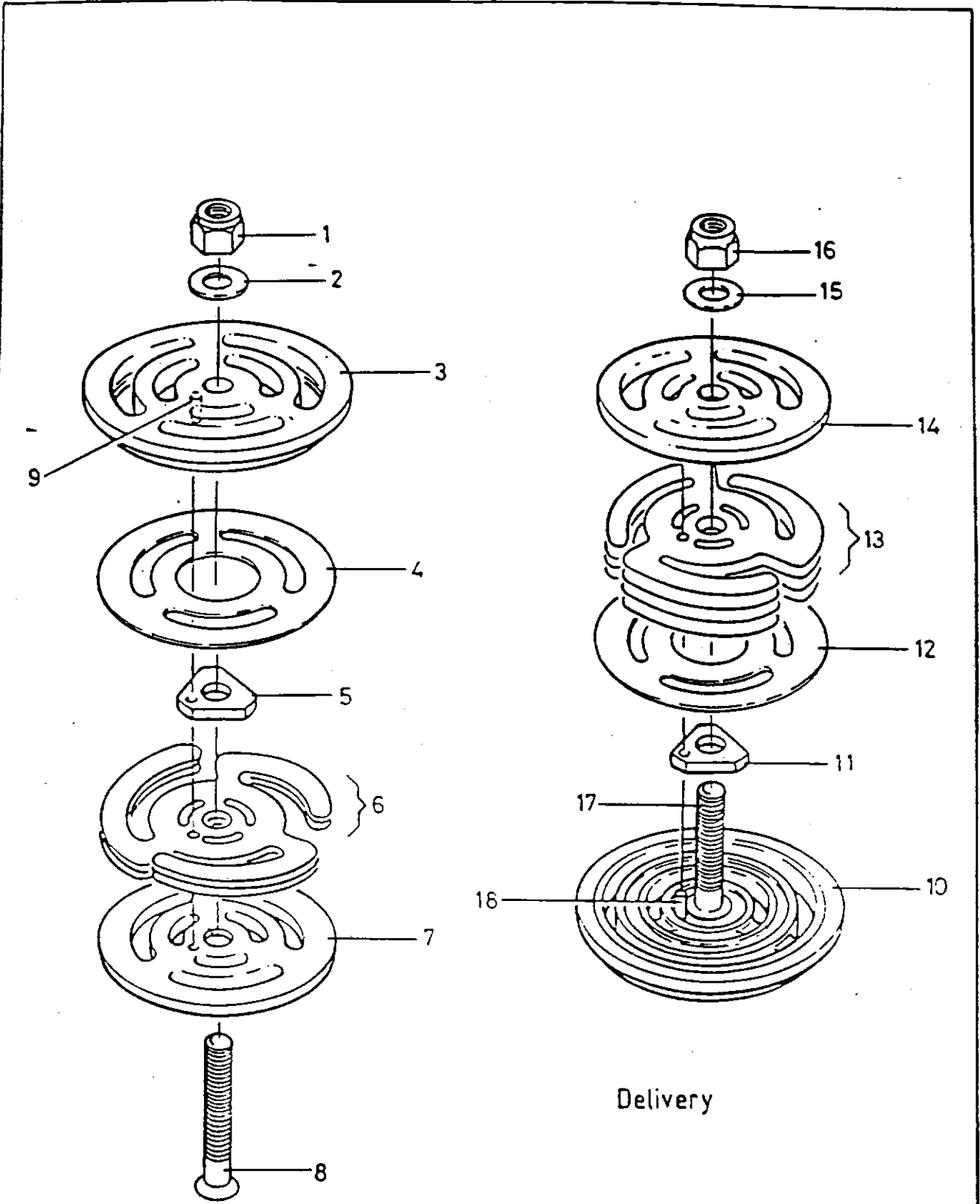
Delivery

1ST STAGE VALVES

LIST "J"
1ST STAGE VALVES

ITEM NO.	DESCRIPTION	NO. PER MACHINE	ASSEMBLY REFERENCE	6408 PART NO.	6409 PART NO.	6409H/64092BA PART NO.	6409I/64092IA PART NO.
C28	SUCTION VALVE ASSEMBLY -	1		98650/1167	98650/1167	98650/1167	98650/1167
	CONSISTING OF ITEMS:						
J1	NUT	1		--	--	--	--
J2	WASHER	1		--	--	--	--
J3	VALVE SEAT	1		--	--	--	--
J4	VALVE PLATE	1	NB	98650/1260	98650/1260	98650/1260	98650/1260
J5	SPRING PLATE	1	NB	98650/1258	98650/1258	98650/1258	98650/1258
J5	SPRING PLATE	1	NB	98650/1259	98650/1259	98650/1259	98650/1259
J6	LIFT WASHER	1	NB	--	--	--	--
J7	VALVE GUARD	1		--	--	--	--
J8	BOLT	1	NB	--	--	--	--
J9	PEG	1		--	--	--	--
C6	DELIVERY VALVE ASSEMBLY -	1		98650/1168	98650/1168	98650/1168	98650/1168
	CONSISTING OF ITEMS:						
J10	VALVE SEAT	1		--	--	--	--
J11	LIFT WASHER	1	NB	--	--	--	--
J12	VALVE PLATE	1	NB	98650/1260	98650/1260	98650/1260	98650/1260
J13	SPRING PLATE	1	NB	98650/1262			
J13	SPRING PLATE	2	NB		98650/1262	98650/1262	98650/1262
J14	VALVE GUARD	1		98650/1263	98650/1263	98650/1263	98650/1263
J15	WASHER	1		--	--	--	--
J16	NUT	1		--	--	--	--
J17	BOLT	1		--	--	--	--
J18	PEG	1		--	--	--	--

5408 & 5409 STANDARD MACHINE



Suction

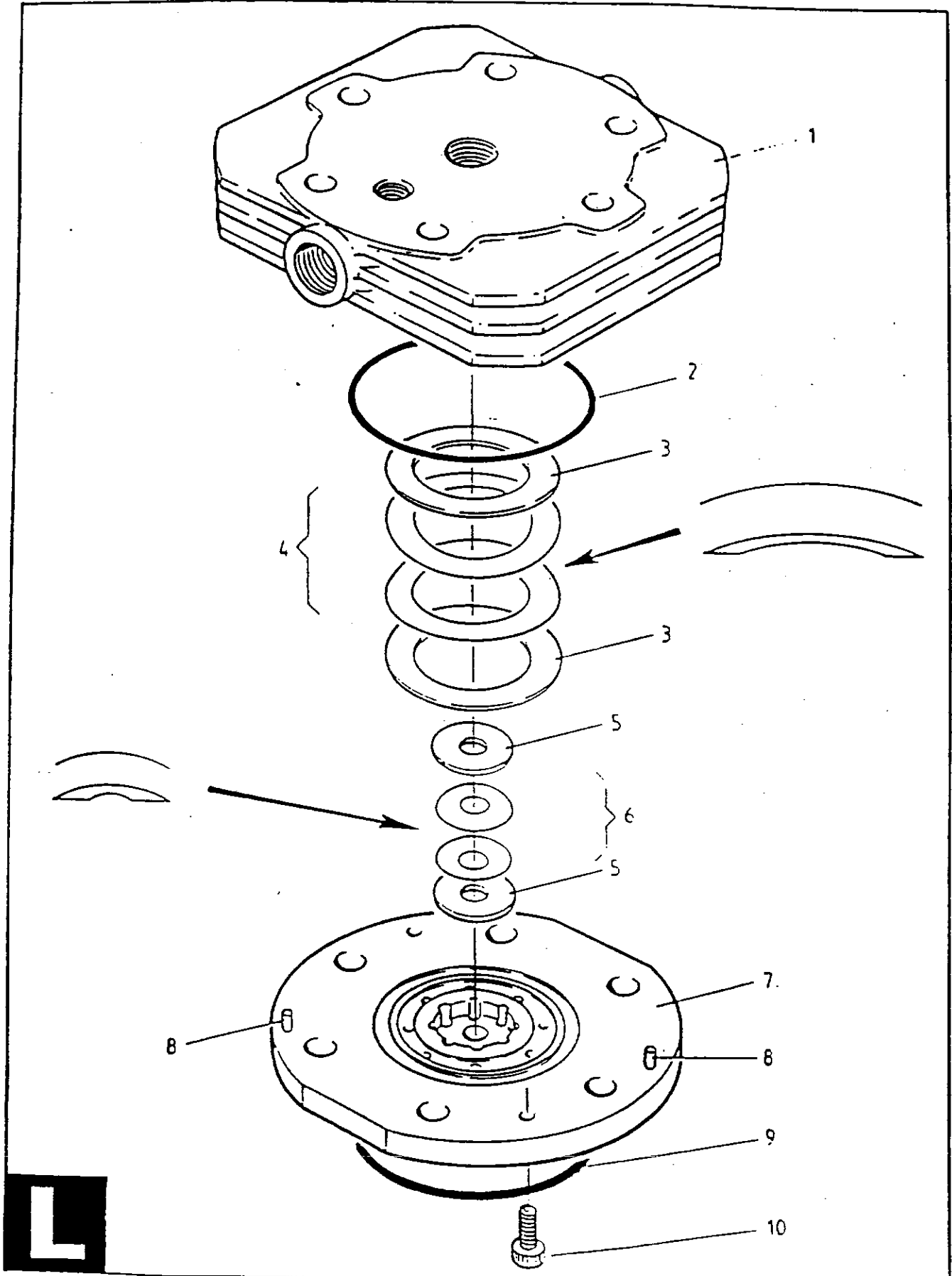
Delivery

2ND STAGE VALVES

LIST "K"
2ND STAGE VALVES

ITEM NO.	DESCRIPTION	NO. PER MACHINE	ASSEMBLY REFERENCE	5408 PART NO.	5409 PART NO.	5409H/54092BA PART NO.	5409L/540921A PART NO.
D25	SUCTION VALVE ASSEMBLY -	1		98650/1169	98650/1169	98650/1169	98650/1169
	CONSISTING OF ITEMS:						
K1	NUT	1	NC	--	--	--	--
K2	WASHER	1	NC	--	--	--	--
K3	VALVE SEAT	1		--	--	--	--
K4	VALVE PLATE	1	NC	98650/1255	98650/1255	98650/1255	98650/1255
K5	LIFT WASHER	1	NC	--	--	--	--
K6	VALVE SPRING	3	NC	98650/1254			
K6	VALVE SPRING	4	NC		98650/1254	98650/1254	98650/1254
K7	VALVE GUARD	1		--	--	--	--
K8	BOLT	1	NC	--	--	--	--
K9	PEG	1		--	--	--	--
D9	DELIVERY VALVE ASSEMBLY -	1		98650/1170	98650/1170	98650/1170	98650/1170
	CONSISTING OF ITEMS:						
K10	VALVE SEAT	1		--	--	--	--
K11	LIFT WASHER	1	NC	--	--	--	--
K12	VALVE PLATE	1	NC	98650/1255	98650/1255	98650/1255	98650/1255
K13	SPRING PLATE	4	NC	98650/1254			
K13	SPRING PLATE	1	NC		98650/1254	98650/1254	98650/1254
K14	VALVE GUARD	1		--	--	--	--
K15	WASHER	1	NC	--	--	--	--
K16	NUT	1	NC	--	--	--	--
K17	BOLT	1		--	--	--	--
K18	PEG	1		--	--	--	--

5408 & 5409 STANDARD MACHINE

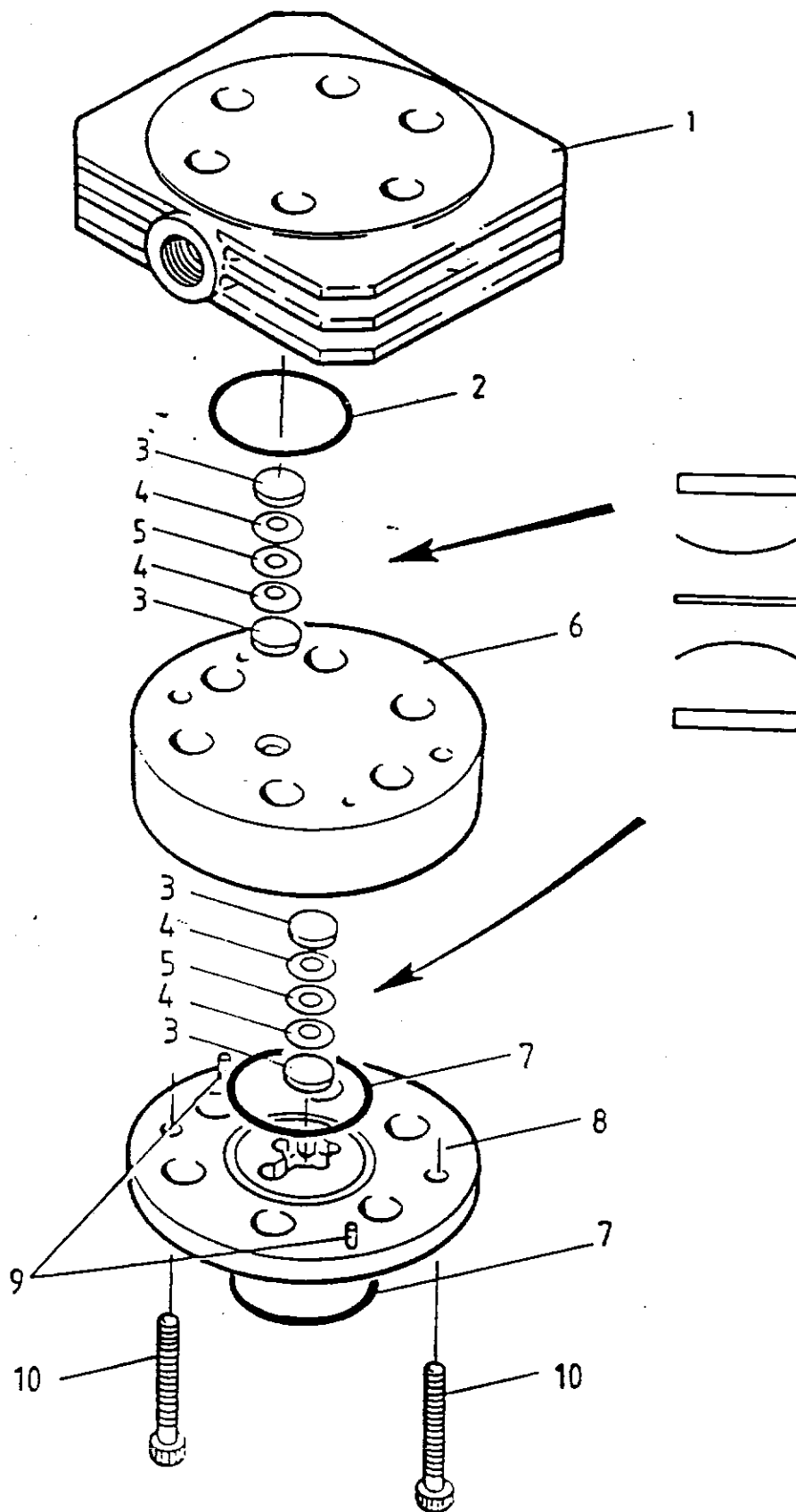


3RD STAGE CONCENTRIC VALVE

LIST "L"
3RD STAGE CONCENTRIC VALVE

ITEM NO.	DESCRIPTION	NO. PER MACHINE	ASSEMBLY REFERENCE	5408 PART NO.	5409 PART NO.	5409H/54092BA PART NO.	5409I/54092IA PART NO.
D20	VALVE ASSEMBLY - COMPRISING OF ITEMS:	1		98650/1883	98650/1883	98650/1883	98650/1883
L1	UPPER BODY	1		--	--	--	--
L2	ORING	1	ND	95602/0054	95602/0054	95602/0054	95602/0054
L3	VALVE BACKING PLATE - DELIVERY	2	ND	98650/1211	98650/1211	98650/1211	98650/1211
L4	SPRING PLATE - DELIVERY	2	ND	98650/1212	98650/1212	98650/1212	98650/1212
L5	VALVE BACKING PLATE - SUCTION	2	ND	98650/1213	98650/1213	98650/1213	98650/1213
L6	SPRING PLATE - SUCTION	2	ND	98650/1214	98650/1214	98650/1214	98650/1214
L7	LOWER BODY	1		--	--	--	--
L8	PEG	1		--	--	--	--
L9	ORING	1	ND	95602/0050	95602/0050	95602/0050	95602/0050
L10	SETScrew	2	ND	--	--	--	--

5408 & 5409 STANDARD MACHINE



4TH STAGE CONCENTRIC VALVE

LIST "M"
4TH STAGE CONCENTRIC VALVE

ITEM NO.	DESCRIPTION	NO. PER MACHINE	ASSEMBLY REFERENCE	5408 PART NO.	5409 PART NO.	5409H/54092BA PART NO.	5409I/54092IA PART NO.
C18	VALVE ASSEMBLY -	1		C201654	C201654	C201654	C201654
	COMPRISING OF ITEMS:						
M1	UPPER BODY	1		--	--	--	--
M2	ORING	1	NE	95602/0016	95602/0016	95602/0016	95602/0016
M3	VALVE BACKING PLATE - DELIVERY	4	NE	98650/1196	98650/1196	98650/1196	98650/1196
M4	SPRING PLATE - SUCTION & DELIVE	4	NE	98650/1197	98650/1197	98650/1197	98650/1197
M5	CENTER PLATE - SUCTION & DELIV	2	NE	98650/1198	98650/1198	98650/1198	98650/1198
M6	MIDDLE BODY	1		--	--	--	--
M7	ORING	2	NE	95602/0018	95602/0018	95602/0018	95602/0018
M8	LOWER BODY	1		98650/1296	98650/1296	98650/1296	98650/1296
M9	PEG	2		--	--	--	--
M10	SETSCREW	2	NE	--	--	--	--

**LIST "N"
MAINTENANCE KITS**

ITEM NO.	DESCRIPTION	NO. PER MACHINE	ASSEMBLY REFERENCE	5408 PART NO.	5409 PART NO.	5409H/54092BA PART NO.	5409I/54092IA PART NO.
NA	COMPRESSOR MAINTENANCE	1	A4,6,7,14,21,22,27	98504/1120	98504/1120	98504/1120	98504/1120
	GASKET/ORING KIT		C1,4,7,13,15,27,30				
			D1,7,10,15,18,21,27,				
			D28,30,32				
			E13,17,21,25,28				
			H1,5,6,9,16,21				
NB	1ST STAGE VALVE MAINTENANC	1	J4,5,5/1,6,11,12,13,13/1	98650/1771	98650/1771	98650/1771	98650/1771
	KIT						
NC	2ND STAGE VALVE MAINTENAN	1	K1,2,4,5,6,8,11,12,13,	98650/1772	98650/1772	98650/1772	98650/1772
	KIT		K15,16				
ND	3RD STAGE VALVE MAINTENAN	1	L2,3,4,5,6,9,10	98650/1215	98650/1215	98650/1215	98650/1215
	KIT						
NE	4TH STAGE VALVE MAINTENANC	1	M2,3,4,5,7,10	98650/1199	98650/1199	98650/1199	98650/1199
	KIT						